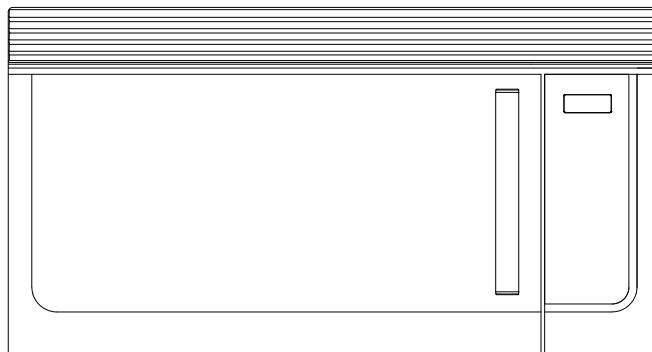




Microwave Oven

RMW1636SS



1. Read these instructions carefully before installing and operating the oven. Keep them for further reference.
2. Record in the space below the "SERIAL NO." found on the nameplate on your oven and retain this information for future reference.

SERIAL NO.:

PRECAUTIONS TO AVOID POSSIBLE EXPOSURE TO EXCESSIVE MICROWAVE ENERGY

- (a) Do not attempt to operate this oven with the door open since open-door operation can result in harmful exposure to microwave energy. It is important not to defeat or tamper with the safety interlocks.
- (b) Do not place any object between the oven front face and the door or allow soil or cleaner residue to accumulate on sealing surfaces.
- (c) Do not operate the oven if it is damaged. It is particularly important that the oven door close properly and that there is no damage to the:
 - ① Door (bent),
 - ② Hinges and latches (broken or loosened),
 - ③ Door seals and sealing surfaces.
- (d) The oven should not be adjusted or repaired by anyone except properly qualified service personnel.

CONTENT

PRECAUTIONS TO AVOID POSSIBLE EXPOSURE TO EXCESSIVE MICROWAVE ENERGY	1
IMPORTANT SAFETY INSTRUCTIONS.....	2
UNPACKING INSTRUCTIONS.....	4
GROUNDING INSTRUCTIONS.....	4
INFORMATION YOU NEED TO KNOW.....	5
ABOUT YOUR OVEN.....	5
ABOUT FOOD.....	6
ABOUT MICROWAVE COOKING.....	6
ABOUT SENSOR COOKING.....	7
ABOUT SAFETY.....	7
ABOUT UTENSILS AND COVERINGS.....	7
ABOUT CHILDREN AND THE MICROWAVE	8
SPECIFICATIONS.....	9
FEATURES DIAGRAM.....	9
CONTROL PANEL FEATURES.....	10
BASIC CONTROLS.....	11
TO SET CLOCK.....	11
TIME COOKING.....	11
LIGHT CONTROL.....	11
VENT FAN CONTROL.....	11
TURNTABLE ON/OFF	12
STOP/CLEAR	12
SPECIAL FEATURES.....	12
COMPU COOK.....	12
COMPU DEFROST	13
MANUAL DEFROST.....	14
OTHER CONVENIENT FEATURES.....	14
MINUTE PLUS/EXPRESS.....	14
TOUCH ON.....	14
REHEAT	14
KITCHEN TIMER.....	14
CUSTOM HELP	15
CLEAR AND CARE.....	15

IMPORTANT SAFETY INSTRUCTIONS

When using electrical appliances, basic safety precautions should be followed, including the following:

WARNING - To reduce the risk of burns, electric shock, fire, injury to persons or exposure to excessive microwave energy:

1. Read all instructions before using the appliance.
2. Read and follow the specific "PRECAUTIONS TO AVOID POSSIBLE EXPOSURE TO EXCESSIVE MICROWAVE ENERGY" on page 1.
3. This appliance must be grounded. Connect only to properly grounded outlet. See "GROUNDING INSTRUCTIONS" on page 4.
4. Install or locate this appliance only in accordance with the provided installation instruction.
5. Some products such as whole eggs and sealed containers -for example, closed glass jars- are able to explode and should not be heated in this oven.
6. Use this appliance only for its intended use as described in this manual. Do not use corrosive chemicals or vapors in this appliance. This type of oven is specifically designed to heat, cook, or dry food. It is not designed for industrial or laboratory use.
7. As with any appliance, close supervision is necessary when used by children.
8. To reduce the risk of fire in the oven cavity:
 - a. Do not overcook food. Carefully attend appliance when paper, plastic, or other combustible materials are placed inside the oven to facilitate cooking.
 - b. Remove wire twist-ties from paper or plastic bags before placing bag in oven.
 - c. If materials inside the oven ignite, keep oven door closed, turn oven off, and disconnect the power cord or shut off power at the fuse or circuit breaker panel.
9. Do not use the cavity for storage purposes.
10. Liquids, such as water, coffee, or tea are able to be overheated beyond the boiling point without appearing to be boiling due to surface tension of the liquid. Visible bubbling or boiling when the container is removed from the microwave oven is not always present. **THIS COULD RESULT IN VERY HOT LIQUIDS SUDDENLY BOILING OVER WHEN A SPOON OR OTHER UTENSIL IS INSERTED INTO THE LIQUID.** To reduce the risk of injury to person:
 11. Do not overheat the liquid.
 12. Stir the liquid both before and halfway through heating it.
 13. Do not use straight-sided containers with narrow necks.
 14. After heating, allow the container to stand in the microwave oven for a short time before removing the container.
 15. Use extreme care when inserting a spoon or other utensil into the container.
 16. Do not heat oil or fat for deep-frying. It is difficult to control the temperature of oil in microwave oven.
 17. Pierce foods with heavy skins such as potatoes, whole squash, apples and chestnuts before cooking.
 18. The contents of feeding bottles and baby jars should be stirred or shaken and the temperature should be checked before serving in order to avoid burns.
 19. Cooking utensils may become hot because of heat transferred from the heated food. Potholders may be needed to handle the utensil.
 20. Do not cover or block any openings on the appliance.
 21. Do not store or use this appliance outdoors. Do not use this product near water, for example, near a kitchen sink, in a wet basement, near a swimming pool, or similar locations.

22. Do not operate this appliance if it has a damaged cord or a plug, if it is not working properly or if it has been damaged or dropped.
23. Do not immerse cord or plug in water.
24. Keep cord away from heated surface.
25. Do not let cord hang over edge of table or counter.
26. Use only thermometers, which are specifically designed for use in microwave ovens.
27. Do not operate any heating or cooking appliance beneath this appliance.
28. Be certain the glass tray and roller rings are in place when you operate the oven.
29. This appliance should be serviced only by qualified service personnel. Contact nearest authorized service facility for examination, repair, or adjustment.
30. When cleaning surfaces of door and oven that comes together on closing the door, use only mild, nonabrasive soaps, or detergents applied with a sponge or soft cloth.

UNPACKING INSTRUCTIONS

Unpacking and Examining Your Oven
Carefully remove oven from carton. **SAVE THE CARTON AS IT MAY MAKE INSTALLATION EASIER.**

Remove:

1. All packing materials from inside the oven cavity; however, **DO NOT REMOVE THE WAVEGUIDE COVER**, which is located on the ceiling in the oven cavity. Check to see that there are Installation Instructions, Wall Template, Top Cabinet Template, bag of Installation Hardware, Charcoal

Filter and Exhaust Damper Assembly.
Read enclosures and **SAVE** the Owner's Instructions.

2. The feature sticker from the outside of the door, if there is one.

Check the oven for any damage, such as misaligned or bent door, damaged door seals and sealing surfaces, broken or loose door hinges and latches and dents inside the cavity or on the door. If there is any damage, do not operate the oven and contact your dealer.

See Installation Instruction for more details.

GROUNDING INSTRUCTIONS

This appliance must be grounded. In the event of an electrical short circuit, grounding reduces the risk of electric shock by providing an escape wire for the electric current. This appliance is equipped with a cord having a grounding wire with a grounding plug. The plug must be plugged into an outlet that is properly installed and grounded.

WARNING--- Improper use of the grounding plug can result in a risk of electric shock. Consult a qualified electrician or serviceman if the grounding instructions are not completely understood or if doubt exists as to whether the appliance is properly grounded

ELECTRICAL REQUIREMENTS

The electrical requirements are a 120 volt 60 Hz, AC only, 20 amp. It is recommended that a separate circuit serving only the oven be provided. The oven is equipped with a 3-prong grounding plug. It must be plugged into a wall receptacle that is properly installed and grounded.

Power Supply Cord

1. A short power supply cord is provided to reduce the risks resulting from becoming entangled in or tripping over a longer cord.

2. Longer cord sets or extension cords are available and may be used if care is exercised in their use.

3. If long cord or extension cord is used:

- a) The marked electrical rating of the cord set or extension cord should be at least as great as the electrical rating of the appliance.

- b) The extension cord must be a grounding-type 3-wire cord, and The longer cord should be arranged so that it will not drape over the counter top or table top where it can be pulled on by children or tripped over unintentionally.

Notes:

If you have any questions about the grounding or electrical instructions, consult a qualified electrician or service person.

Neither RCA nor the dealer can accept any liability for damage to the oven or personal injury resulting from failure to observe the electrical connection procedures.

RADIO OR TV INTERFERENCE

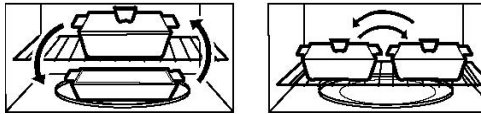
Should there be any interference caused by the microwave oven to your radio or TV, check that the microwave oven is on a different circuit, relocate the radio or TV as far away from the oven as feasible or check position and signal of receiving antenna.

INFORMATION YOU NEED TO KNOW

ABOUT YOUR OVEN

NEVER use the oven without the turntable and support nor turn the turntable over so that a large dish could be placed in the oven. The turntable will turn both clockwise and anticlockwise.

The shelf gives you the option to reheat more than one dish of food at the same time. To reheat on 2 levels:



- Switch places after $\frac{1}{2}$ the time.
- Make sure the shelf is positioned properly inside the microwave to prevent damage to the oven from arcing.
- Do not use a microwave browning dish on the shelf. The shelf could overheat.
- Do not use the oven with the shelf on the

microwave floor. This could damage the microwave.

• Use pot holders when handling the shelf—it may be hot.

• Do not use the shelf when cooking popcorn.

ALWAYS have food in the oven when it is on to absorb the microwave energy.

When using the oven at power levels below 100%, you may hear the magnetron cycling on and off.

Condensation is a normal part of microwave cooking. Room humidity and the moisture in food will influence the amount of moisture that condenses in the oven. Generally, covered foods will not cause as much condensation as uncovered ones. Ventilation openings must not be blocked.

In using recipes or package directions, check food a minute or two before the minimum time and add time accordingly.

ABOUT FOOD

FOOD	DO	DON'T
Eggs, sausages, fruits & vegetable	<ul style="list-style-type: none"> • Puncture egg yolks before cooking to prevent "explosion". • Pierce skins of potatoes, apples, squash, hot dogs and sausages so that steam escapes. 	<ul style="list-style-type: none"> • Cook egg in shells. • Reheat whole eggs.
Popcorn	<ul style="list-style-type: none"> • Use specially bagged popcorn for the microwave oven. • Listen while popping corn for the popping to slow to 1 or 2 seconds or use special Popcorn pad. 	<ul style="list-style-type: none"> • Pop popcorn in regular brown bags or glass bowls. • Exceed maximum time on popcorn package.
Baby food	<ul style="list-style-type: none"> • Transfer baby food to small dish and heat carefully, stirring often. Check temperature before serving. • Put nipples on bottles after heating and shake thoroughly. "Wrist" test before feeding. 	<ul style="list-style-type: none"> • Heat disposable bottles. • Heat bottles with nipples on. • Heat baby food in original jars.
General	<ul style="list-style-type: none"> • Cut baked goods with filling after heating to release steam and avoid burns. • Stir liquids briskly before and after heating to avoid "eruption". • Use deep bowl, when cooking liquids or cereals, to prevent boilovers. 	<ul style="list-style-type: none"> • Heat or cook in closed glass jars or airtight containers. • Can in the microwave as harmful bacteria may not be destroyed. • Deep fat fry. • Dry wood, gourds, herbs or wet papers.

ABOUT MICROWAVE COOKING

Arrange food carefully. Place thickest areas towards outside of dish.

- Watch cooking time. Cook for the shortest amount of time indicated and add more as needed. Food severely overcooked can smoke or ignite.
- Cover foods while cooking. Check recipe or cookbook for suggestions: paper towels, wax paper, microwave plastic wrap or a lid. Covers prevent spattering and help foods to cook evenly.
- Shield with small flat pieces of aluminum foil any thin areas of meat or poultry to prevent overcooking before dense, thick areas are cooked thoroughly.
- Stir foods from outside to center of dish once or twice during cooking, if possible.
- Turn foods over once during microwaving to speed cooking of such foods as chicken and hamburgers. Large items like roasts must be turned over at least once.

• Rearrange foods such as meatballs halfway through cooking both from top to bottom and from the center of the dish to the outside.

• Add standing time. Remove food from oven and stir, if possible. Cover for standing time that allows the food to finish cooking without overcooking.

• Check for doneness. Look for signs indicating that cooking temperatures have been reached.

Doneness signs include:

-Food steams throughout, not just at edge.

-Center bottom of dish is very hot to the touch.

-Poultry thigh joints move easily.

-Meat and poultry show no pinkness.

-Fish is opaque and flakes easily with a fork.

ABOUT SENSOR COOKING

- The proper containers and covers are essential for best sensor cooking.
- Always use microwave-safe containers and cover them with lids or vented plastic wrap. Never use tight sealing plastic containers — they can prevent steam from escaping and cause food to overcook.
- Be sure the outside of the cooking containers and the inside of the microwave oven are dry before placing food in the oven. Beads of moisture turning into steam can mislead the sensor.
- Do not use this feature twice in succession on the same food portion — it may result in severely overcooked or burnt food.

ABOUT SAFETY

Check foods to see that they are cooked to the following recommended temperatures.

TEMP	FOOD
160°F	...for fresh pork, ground meat, boneless white poultry, fish, seafood, egg dishes and frozen prepared food.
165°F	...for leftover, ready-to-reheat refrigerated, and deli and carry-out “fresh” food.
170°F	...white meat of poultry.
180°F	...dark meat of poultry.

- To test for doneness, insert a meat thermometer in a thick or dense area away from fat of bone. **NEVER** leave the thermometer in the food during cooking, unless it is approved for microwave oven use.
- **ALWAYS** use potholders to prevent burns when handling utensils that are in contact with hot food. Enough heat from the food can transfer through utensils to cause skin burns.
- Avoid steam burns by directing steam away from the face and hands. Slowly lift the farthest edge of a dish’s covering and carefully open popcorn and oven cooking bags away from the face.
- Stay near the oven while it’s in use and check cooking progress frequently so that there is no chance of overcooking food.
- **NEVER** use the cavity for storing cookbooks or other items.
- Select, store and handle food carefully to preserve its high quality and minimize the spread of food borne bacteria.
- Keep waveguide cover clean. Food residue can cause arcing and/or fires.
- Use care when removing items from the oven so that utensil, your clothes or accessories do not touch the safety door latches.

ABOUT UTENSILS AND COVERINGS

It is not necessary to buy all new cookware. Many pieces already in your kitchen can be used successfully in your new microwave oven.

Make sure the utensil does not touch the interior walls during cooking.

Use these utensils for safe microwave cooking and reheating

- glass ceramic
- heat-resistant glass
- microwave-safe plastics
- paper plates
- microwave-safe pottery, stoneware and porcelain
- browning dish

These items can be used for short time reheating of foods that have little fat or sugar in them:

- wood, straw, wicker

DO NOT USE

- metal pans and bake ware
- dishes with metallic trim
- non-heat-resistant glass
- non-microwave-safe plastic
- recycled paper bags
- food storage bags
- metal twist-ties

Should you wish to check if a dish is safe for microwaving, place the empty dish in the oven and microwave on HIGH for 30 seconds. A dish which becomes very hot should not be used.

The following coverings are ideal:

- Paper towels are good for covering foods for reheating and absorbing fat while cooking bacon.
- Wax paper can be used for cooking and

reheating.

- Plastic wrap that is specially marked for microwave use can be used for cooking and reheating. DO NOT allow plastic wrap to touch food. Vent so steam can escape.
- Lids that are microwave-safe are a good choice because heat is kept near the food to hasten cooking.
- Oven cooking bags are good for large meats or foods that need tenderizing. DO NOT use metal twist ties. Remember to slit bag so steam can escape.

How to use aluminum foil in your microwave oven:

- Small flat pieces of aluminum foil placed smoothly on the food can be used to shield areas that are either defrosting or cooking too quickly.
- Foil should not come closer than one inch to any surface of the oven.

ACCESSORIES

There are many microwave accessories available for purchase. Evaluate carefully before you purchase so that they meet your needs. A microwave-safe thermometer will assist you in determining correct doneness and assure you that foods have been cooked to safe temperatures. RCA is not responsible for any damage to the oven when accessories are used.

ABOUT CHILDREN AND THE MICROWAVE

Children below the age of 7 should use the microwave oven with a supervising person very near to them. Between the ages of 7 and 12, the supervising person should be in the same room.

The children must be able to reach the oven comfortably; if not, he/she should stand on a sturdy stool.

At no time should anyone be allowed to lean or swing on the oven door.

Children should be taught all safety precautions; use potholders, remove coverings carefully and pay special attention to packages that crisp food because they may be extra hot.

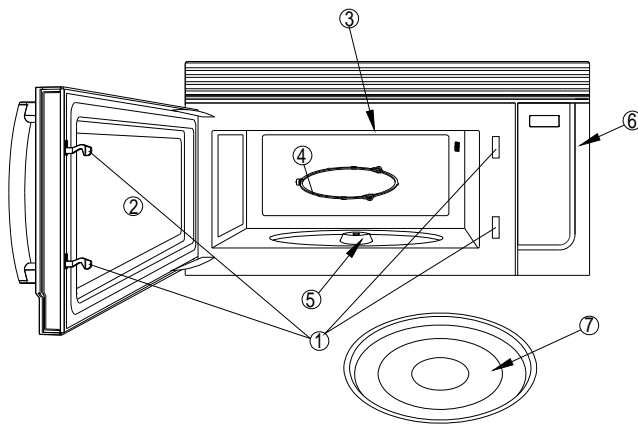
Don't assume that because a child has mastered one cooking skill he/she can cook everything.

Children need to learn that the microwave oven is not a toy.

SPECIFICATIONS

Power Supply	120V AC 60Hz Single phase	
Microwave	Power Consumption	1550W
	Output Power	1000W
	Frequency	2450MHz
Outside Dimensions	16 ⁷ / ₈ "(H)×29 ⁷ / ₈ "(W)×17 ⁵ / ₈ "(D)	
Cavity Dimensions	10 ³ / ₁₆ "(H)×21 ¹ / ₂ "(W)×14 ¹³ / ₁₆ "(D)	
Oven Capacity	1.6 Cu.Ft.	
Cooking Uniformity	Turntable /Stirrer Fan System	
Weight	Approx. (net) 60.0lb / (gross) 68.8lb	

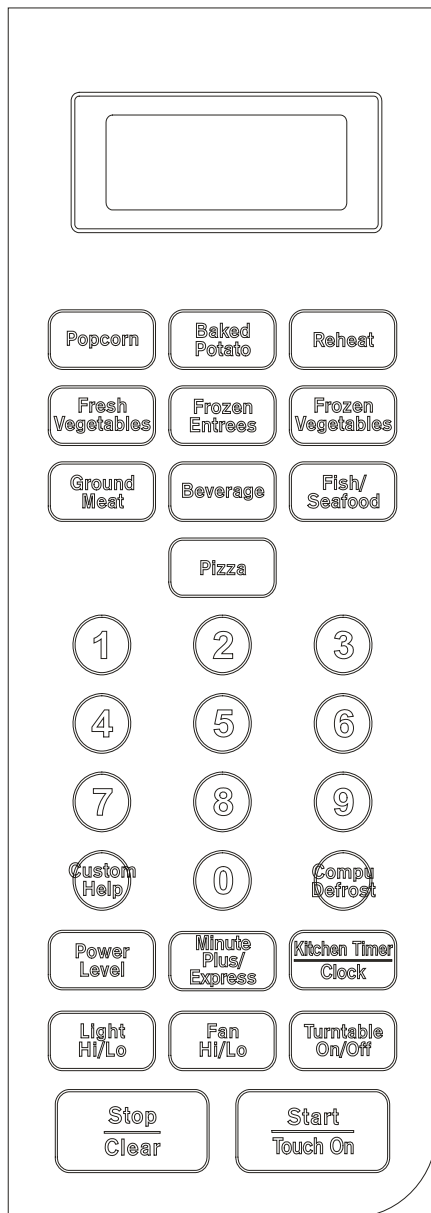
FEATURES DIAGRAM



1. Door Safety Lock System
2. Oven Window
3. Wave Guide
4. Roller Ring
5. Shaft
6. Control Panel
7. Glass Turntable

DO NOT REMOVE THE CARDBOARD OVEN AIR VENT COVER THAT IS INSIDE THE MICROWAVE!

CONTROL PANEL FEATURES



DISPLAY SCREEN

Cooking time, Lock indicator, timer, defrost sign and help information are displayed.

CUSTOM HELP

Information is available to help the user with cooking.

COMPU DEFROST

Easy settings to defrost according to weight entered.

POWER LEVEL

Use to set cooking power level.

MINUTE PLUS/EXPRESS

Use to set express cooking time.

KITCHEN TIMER/CLOCK

Use to set the oven clock or set the timer.

LIGHT HI/LO

Press to set the controls of the light outside the oven (light, dark and off mode).

FAN HI/LO

Fan motor control key. Press to select high, low or off mode.

TURNTABLE ON/OFF

Touch to turn the turntable on or off.

STOP/CLEAR

Touch to stop the oven or reset the oven before setting a program.

START/TOUCH ON

Touch to start the oven; also use to start the oven quickly at full power.

The following pages contain more information for the use of these features.

BASIC CONTROLS

Before operating your new microwave oven, please read and understand this operation manual completely.

SIGNALS DURING OVEN SETTINGS

ONE SIGNAL: Oven accepts the entry.

TWO SIGNALS: Oven does not accept the entry, please check and try again.

TO SET THE CLOCK

This is a clock in 12- or 24- hour cycle. Suppose you want to enter 8:08.

1. In standby mode, touch KITCHEN TIMER/CLOCK pad once.
2. Touch START/TOUCH ON once, "HR:12" is displayed. If you want to set the clock in 24-hour cycle, touch KITCHEN TIMER/CLOCK again, "HR:24" will be displayed.
3. Press number pads 8, 0, and 8.
4. Touch START/TOUCH ON to confirm.

Note: If you happen to set a clock time in exceed of the default range, touch START/TOUCH ON, two beeps will sound with "0:00" displayed, now you can enter the correct clock time. During cooking, you can press KITCHEN TIMER/CLOCK pad to check the clock.

TIME COOKING

The longest cooking time is 99 minutes and 99 seconds. There are 6 power levels for you to choose.

Please consult cookbook or recipes for specific recommendations.

APPROXIMATE PERCENTAGE OF POWER	COMMON WORDS FOR POWER LEVELS
100% (P-100)	High
80% (P-80)	Medium High

60% (P-60)	Medium
40% (P-40)	Medium Low
20% (P-20)	Low/Defrost
0% (P -00)	Zero

Suppose you want to cook for 5 minutes at 80% power.

1. Touch POWER LEVEL to select cooking power P-80.
2. Use the number pads to enter cooking time.
3. Touch START/TOUCH ON pad.

Note: You can check the power level during cooking by pressing POWER LEVEL.

LIGHT CONTROL

This feature is designed for the convenience of doing things outside the oven. To turn on the light at the bottom of the oven, press LIGHT HI/LO:

Press the button	Working Mode
Once	Light
Twice	Dark
3 times	Off

VENT FAN CONTROL

Your oven can be used as a range hood. When it is turned on, the fan motor starts filtering out smoke, odors, and grease generated from cooking.

Press FAN HI/LO:

Press the button	Fan Speed
Once	High
Twice	Low
3 times	Off

STOP/CLEAR

Touch the STOP/CLEAR pad to:

1. Clear previous setting.
2. Cancel Timer.
3. Stop the oven temporarily during cooking.
4. Set CHILD LOCK
5. Cancel a program during cooking, touch twice.

TURNTABLE ON/OFF

For most cooking, the turntable should be on; however the turntable can be turned off so that it does not rotate for extra large dishes, such as the 13x9x2 glass utility casserole. Put the casserole on the turntable, press TURNTABLE ON/OFF button to turn the turntable on or off.

Sometimes the turntable may become too hot to touch. Be careful to touch the turntable.

SPECIAL FEATURES

COMPU COOK

For foods shown in the following chart, it is not necessary to program the time and the cooking power. It is sufficient to indicate the type of food that you want to cook as well as the weight of this food.

For Popcorn, Beverage and Fish/Seafood, you can press the food icon pad to select weight or the amount.

Suppose you want to cook 3.0 oz. popcorn.

1. Touch POPCORN pad once.
2. Touch POPCORN pad again to select weight.
3. Touch START/TOUCH ON pad

For Baked potato, Pizza, Fresh vegetables, Frozen entrees, Frozen vegetables and Ground meat, you can use the number pads to enter the weight you needed.

Suppose you want to cook Baked potato (2 lb. 5oz.).

1. Touch BAKED POTATO pad once.
2. Touch 2 to enter 2 lb.
3. Touch START/TOUCH ON pad.
4. Touch 5 to enter 5oz.
5. Touch START/TOUCH ON pad.

COMPU COOK CHART

Food	Note
Popcorn (1.2oz / 3.0oz / 3.5oz)	
Baked potato (1oz ~ 3lb)	1. For Popcorn and Fish/Seafood, you can select weight or the amount by pressing the food icon pad; for others, you should use the number pads to enter the weight.
Pizza (1oz ~ 1lb. 12oz)	
Fresh vegetables (1oz ~ 3lb)	
Frozen entrees (1oz ~ 2lb.5oz)	2. For Frozen entrees and Ground meat, during cooking, the oven will pause to remind you to turn food over for better cooking effect.
Frozen vegetables (1oz ~ 3lb)	
Ground meat (1oz - 6lb)	
Beverage (1~6cups)	3. For Beverage, the number shows on the screen is not the weight but the number of cup of beverage.
Fish/seafood (6~22oz)	
Reheat (1oz ~ 2lb.5oz)	

COMPU DEFROST

Compu Defrost automatically defrosts foods from the following chart. Press COMPU DEFROST, the display shows COMPU DEFROST SELECT FOOD NUMBER SEE LABEL CODE 1-6, then enter number 1-6 to select.

Suppose you want to defrost ground meat (2LB.5OZ.).

1. Touch COMPU DEFROST pad once,
2. Touch 1 for ground meat.
3. Touch START/TOUCH ON pad.
4. Enter weight by touching the number pad 2.

5. Touch START/TOUCH ON pad.
6. Enter weight by touching the number pad 5.
7. Touch START/TOUCH ON pad.

Suppose you want to defrost Soup.

1. Touch COMPU DEFROST pad once.
2. Touch 6 for Soup.
3. Touch START/TOUCH ON pad.
4. Enter number of cups by touching number pads from 1 to 6.
5. Touch START/TOUCH ON pad.

COMPU DEFROST CHART

Number pad/Food	Weight Range	Procedure
1. Ground meat	1oz.~3lb.	Remove any thawed pieces after each stage. Let the meat remain covered for 5 to 10 minutes.
2. Steak chops or pork	1oz.~4lb.	After each stage, rearrange and if there are warm or thawed portions, shield with small flat pieces of aluminum foil. Remove any meat or fish that is almost defrosted. Let the meat remain covered for 10 to 20 minutes.
3. Chicken pieces or poultry	1oz.~3lb.	After each stage, rearrange pieces or remove portions that become warm or thawed. Let the meat remain covered for 10 to 20 minutes.
4. Fish or seafood	1oz.~4lb.	After audible signal, stir if possible. Let the meat remain covered for 5 to 10 minutes.
5. Roast	1oz.~4lb.	Start defrosting with fat side down. After each stage, turn roast over and shield the warm portions with aluminum foil. Let the meat remain covered for 30 to 60 minutes.
6. Soup	1~6 cups (7 oz /cup)	After audible signal, stir if possible. Let the meat remain covered for 5 to 10 minutes.

Note: For soup, parameter on display is not weight but number of servings.

For some program, during cooking, the oven will pause and beep to remind you to open the door and check its doneness and turn food over to obtain better cooking effect;

After the last stage, small sections may still be icy. Let stand to continue thawing. Do not defrost until all ice crystals are thawed.

Use small smooth strips of aluminum foil to cover edges and thinner sections of the food.

MANUAL DEFROST

If the food that you want to defrost is not listed on the COMPU DEFROST CHART or the food weight is exceed the maximum weight recommended, you need to defrost manually. You can defrost any frozen food, either raw or previously cooked, by using 20% microwave power. Follow the steps under Time Cooking. Always stop the oven periodically to remove or

separate the portions that are defrosted. If food is not defrosted at the end of the estimated defrosting time, program the oven in 1-minute increments on 20% microwave power until totally defrosted.

Please remember to place the food on a microwave-safe dish not in a plastic container.

OTHER CONVENIENT FEATURES

MINUTE PLUS/EXPRESS

Minute Plus/Express allows you to cook at 100% by simply touching the MINUTE PLUS/EXPRESS pad. You can also extend cooking time by touching the MINUTE PLUS/EXPRESS pad during manual cooking to add 30 seconds each; the longest cooking time is 99 minutes 59 seconds. The oven starts working at full power level immediately.

TOUCH ON

Touch On allows you to cook at 100% power by touching the START/TOUCH ON continuously. Touch On is ideal for melting cheese, bringing milk to just below boiling etc.

Suppose you want to melt cheese on toast.

1. Continuously touch START/TOUCH ON pad. The cooking time will begin counting up.
2. When the cheese is melted to desired degree, remove finger from START/TOUCH ON pad. Oven stops immediately.

REHEAT

Reheat function use 100% microwave power level to reheat the food based on the weight you entered.

Suppose you want to reheat 2LB.5OZ. food.

1. Press REHEAT pad once.
2. Press number pad 2 for 2LB.
3. Press START/TOUCH ON pad once.
4. Press number pad 5 for 5OZ.
5. Press START/TOUCH ON pad once.

NOTE: The weight range is 1oz.-2lb.5oz.

KITCHEN TIMER

The longest time you can enter is 99 minutes and 99 seconds. Suppose you want to time a 3 minutes cooking.

1. In either cooking or standby mode, touch KITCHEN TIMER/CLOCK pad twice.
2. Use the number pads to enter time.
3. Touch START/TOUCH ON pad.

NOTE: When it reaches the end of the set time, the buzzer will beep to remind you.

CUSTOM HELP

CUSTOM HELP provides hints for 3 features which make it easy to use the oven because specific instructions are provided in the Interactive Display.

1. WEIGHT HINT

Press CUSTOM HELP once, the screen will show you the weight range of compu defrost.

2. CLOCK HINT

If you are at a lost of how to set the clock time, press CUSTOM HELP once, steps in setting the clock will be displayed one by one.

3. CHILD LOCK HINT

The child lock prevents unsupervised operation by children. The oven can be set so that the control panel is deactivated or locked. Corresponding hints will be displayed if you press CUSTOM HELP twice.

To set, touch and hold STOP/CLEAR for 3 seconds, a beep sounds and indicator lock is displayed. To cancel, touch and hold STOP/CLEAR for 3 seconds.

4. SOUND ON/OFF

If you want to have the oven operate with no audible signals, press and hold CUSTOM HELP for 3 seconds, a beep sounds to indicate sound off.

To cancel and restore the audible signal, press and hold CUSTOM HELP for 3 seconds, a beep sounds to indicate sound on.

Corresponding hints will be displayed if you press CUSTOM HELP for 3 times.

CLEAR AND CARE

Exterior

The outside surface is precoated steel and plastic. Clean the outside with mild soap and water; rinse and dry with a soft cloth. Do not use any type of household or abrasive cleaner.

Door

Wipe the window on both sides with a damp cloth to remove any spills or spatters. Metal parts will be easier to maintain if wiped frequently with a damp cloth. Avoid the use of spray and other harsh cleaners as they may stain, streak or dull the door surface.

Touch Control Panel

Care should be taken in cleaning the touch control panel. If the control panel becomes soiled, open the oven door before cleaning. Wipe the panel with a cloth dampened slightly with water only. Dry with a soft cloth. Do not scrub or use any sort of chemical cleaners.

Close door and touch STOP/CLEAR.

Interior

Cleaning is easy because little heat is generated to the interior surfaces; therefore, there is no baking and setting of spills or spattering. To clean the interior surfaces, wipe with a soft cloth and warm water. **DO NOT USE ABRASIVE OR HARSH CLEANERS OR SCOURING PADS.** For heavier soil, use baking soda or a mild soap; rinse thoroughly with hot water.

Waveguide Cover

The waveguide cover is located on the ceiling in the oven cavity. It is made from mica so requires special care. Keep the waveguide cover clean to assure good oven performance. Carefully wipe with a damp cloth any food spatters from the surface of the cover immediately after they occur. Built-up splashes may overheat and cause smoke or possibly

catch fire. **DO NOT REMOVE THE WAVEGUIDE COVER.**

Odor Removal

Occasionally, a cooking odor may remain in the oven. To remove, combine 1 cup water, grated peel and juice of 1 lemon and several whole cloves in a 2-cup glass measuring cup. Boil for several minutes using 100% power. Allow to set in oven until cool. Wipe interior with a soft cloth.

The turntable and turntable support can be removed for easy cleaning. Wash them in mild, sudsy water; for stubborn stains use a mild cleanser and non-abrasive scouring sponge as described above. They are also dishwasher-proof. Use upper rack of dishwasher. The turntable motor shaft is not sealed, so excess water or spills should be wiped up immediately.

Grease Filters

Filters should be cleaned at least once a month. Never operate the fan or oven without the filters in place.

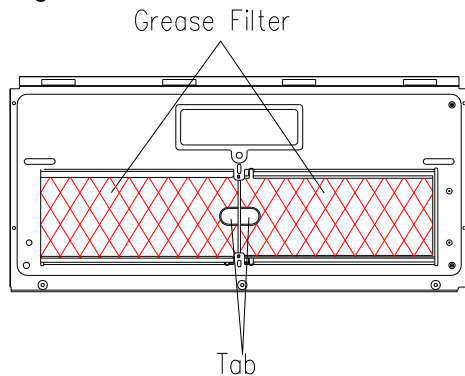
Pull down slightly on the tab toward the front of the oven and remove the filter. Repeat for the other filter.

Soak the filter in a sink or dish pan filled with hot water and detergent. **DO NOT** use ammonia or other alkali; they will react with the filter material and darken it.

Agitate and scrub with a brush to remove embedded dirt.

Rinse thoroughly and shake dry.

Replace by fitting the filter back into the opening.



Light

1. To replace light bulbs, first disconnect power to the oven at the circuit breaker panel or by unplugging.
2. To release cover, remove the screw on the light cover. (See illustration.)

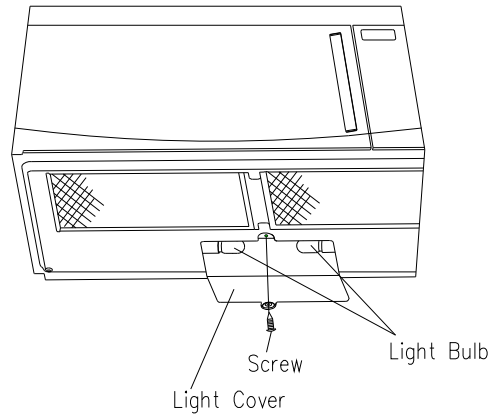
cloves in a 2-cup glass measuring cup. Boil for several minutes using 100% power. Allow to set in oven until cool. Wipe interior with a soft cloth.

Turntable/Turntable Support

3. **DO NOT USE A BULB LARGER THAN 30 WATTS.**

Close light cover and secure with screw removed in step 2.

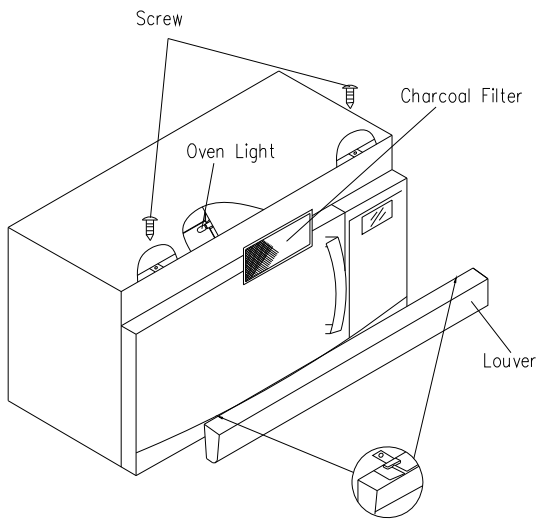
CAUTION: Light cover may become very hot. Do not touch glass when light is on.



Charcoal Filter

Charcoal filter is used for nonvented, recirculated installation. The filter should be changed every 6 to 12 months depending on use.

1. Disconnect power to the oven at the circuit breaker panel or by unplugging.
2. Remove the louver mounting screw from the top center of the louver and push down carefully on the tab at each end of the louver to disengage it. (See illustration.)
3. Pull the louver away from the unit.
4. Change the charcoal filter.
5. Carefully push the louver back into place and replace the screw removed in step 2.



Oven Light

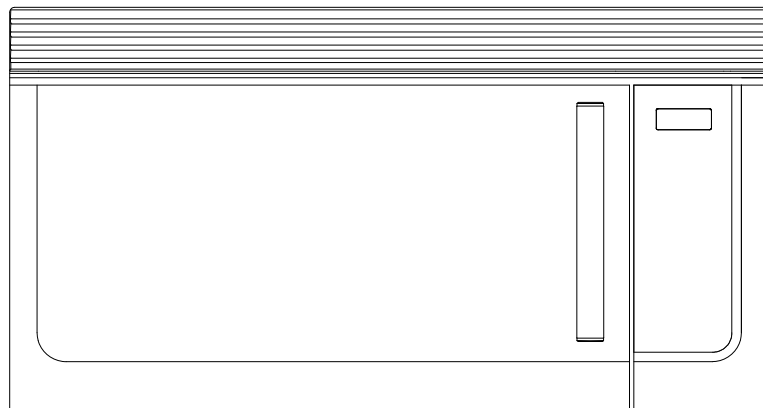
Remove the louver per instructions 1~3 above and charcoal filter, if used.

1. Open light cover located behind filter mounting by carefully pulling up on the front edge.
2. **DO NOT USE A BULB LARGER THAN 30 WATTS.**
3. Replace the oven light cover by carefully pushing into place. Replace the charcoal filter, if used. Push the louver back into place and replace the louver mounting screw.



Microwave Oven

RMW1636SS



Installation Instructions

1. Read these instructions carefully before installing and operating the oven. Keep them for further reference.
2. Record in the space below the "SERIAL NO." found on the nameplate on your oven and retain this information for future reference.

SERIAL NO.:

CONTENTS

General information

Important Safety Instructions	3
Electrical Requirements	3
Hood Exhaust	4, 5
Damage – Shipment/Installation	6
Parts Included.....	6
Tools You Will Need	7
Mounting Space.....	7

Step-by-step installation guide

Placement of Mounting Plate	8–10
Removing the Mounting Plate	8
Finding the Wall Studs	8
Determining Wall Plate Location	9
Aligning the Wall Plate	10

Installation Types

11–22

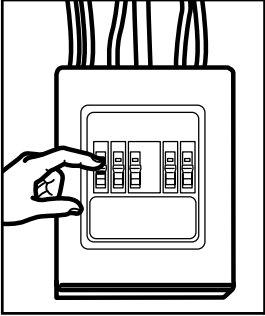
A Outside Top Exhaust	12–15
Attach Mounting Plate to Wall	12
Preparation of Top Cabinet	13
Checking for Proper Damper Operation... ..	14
Mount the Microwave Oven.....	14
Adjust the Exhaust Adaptor.....	15
Connecting Ductwork	15

B Outside Back Exhaust.....	16–19
Preparing Rear Wall for Outside Back Exhaust.....	16
Attach Mounting Plate to Wall	17
Preparation of Top Cabinet	17
Adapting Microwave Blower for Outside Back Exhaust.....	17, 18
Mount the Microwave Oven.....	19

C Recirculating	20–22
Attach Mounting Plate to Wall	20
Preparation of Top Cabinet	20
Mount the Microwave Oven.....	21, 22
Installing the Charcoal Filter.....	22
Before You Use Your Microwave	23

IMPORTANT SAFETY INSTRUCTIONS

This product requires a three-prong grounded outlet. The installer must perform a ground continuity check on the power outlet box before beginning the installation to insure that the outlet box is properly grounded. If not properly grounded, or if the outlet box does not meet electrical requirements noted (under ELECTRICAL REQUIREMENTS), a qualified electrician should be employed to correct any deficiencies.



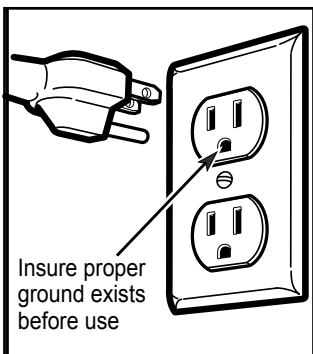
CAUTION: For personal safety, remove house fuse or open circuit breaker before beginning installation to avoid severe or fatal shock injury.

CAUTION: For personal safety, the mounting surface must be capable of supporting the cabinet load, in addition to the added weight of this 54 pound product, plus additional oven loads of up to 50 pounds or a total weight of 104 pounds.

CAUTION: For personal safety, this product cannot be installed in cabinet arrangements such as an island or a peninsula. It must be mounted to BOTH a top cabinet AND a wall.

NOTE: For easier installation and personal safety, it is recommended that two people install this product.

IMPORTANT—PLEASE READ CAREFULLY. FOR PERSONAL SAFETY, THIS APPLIANCE MUST BE PROPERLY GROUNDED TO AVOID SEVERE OR FATAL SHOCK.



The power cord of this appliance is equipped with a three-prong (grounding) plug which mates with a standard three-prong (grounding) wall receptacle to minimize the possibility of electric shock hazard from this appliance.

You should have the wall receptacle and circuit checked by a qualified electrician to make sure the receptacle is properly grounded.

Where a standard two-prong wall receptacle is encountered, it is very important to have it replaced with a properly grounded three-prong wall receptacle, installed by a qualified electrician.

DO NOT, UNDER ANY CIRCUMSTANCES, CUT, DEFORM OR REMOVE ANY OF THE PRONGS FROM THE POWER CORD. DO NOT USE WITH AN EXTENSION CORD.

ELECTRICAL REQUIREMENTS

Product rating is 120 volts AC, 60 Hertz, 15 amps and 1.58 kilowatts. This product must be connected to a supply circuit of the proper voltage and frequency. Wire size must conform to the requirements of the National Electrical Code or the prevailing local code for this kilowatt rating. The power supply cord and plug should be brought to a separate 20 ampere branch circuit single grounded outlet. The outlet box should be located in the cabinet above the microwave oven. The outlet box and supply circuit should be installed by a qualified electrician and conform to the National Electrical Code or the prevailing local code.

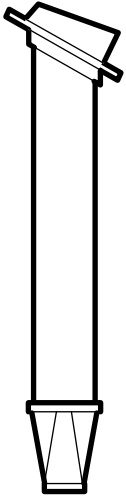
Installation Instructions




HOOD EXHAUST

NOTE: Read these next two pages only if you plan to vent your exhaust to the outside. If you plan to recirculate the air back into the room, proceed to page 6.

OUTSIDE TOP EXHAUST (EXAMPLE ONLY)

The following chart describes an example of one possible ductwork installation.

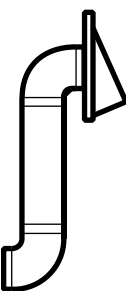





DUCT PIECES		EQUIVALENT LENGTH	x	NUMBER USED	=	EQUIVALENT LENGTH
	Roof Cap	24 Ft.	x	(1)	=	24 Ft.
	12 Ft. Straight Duct (6" Round)	12 Ft.	x	(1)	=	12 Ft.
	Rectangular-to-Round Transition Adaptor*	5 Ft.	x	(1)	=	5 Ft.
Equivalent lengths of duct pieces are based on actual tests and reflect requirements for good venting performance with any vent hood.						Total Length = 41 Ft.

* **IMPORTANT:** If a rectangular-to-round transition adaptor is used, the bottom corners of the damper will have to be cut to fit, using the tin snips, in order to allow free movement of the damper.

OUTSIDE BACK EXHAUST (EXAMPLE ONLY)

The following chart describes an example of one possible ductwork installation.



DUCT PIECES		EQUIVALENT LENGTH*	x	NUMBER USED	=	EQUIVALENT LENGTH
	Roof Cap	40 Ft.	x	(1)	=	40 Ft.
	3 Ft. Straight Duct (3¼" x 10" Rectangular)	3 Ft.	x	(1)	=	3 Ft.
	90° Elbow	10 Ft.	x	(2)	=	20 Ft.
Equivalent lengths of duct pieces are based on actual tests and reflect requirements for good venting performance with any vent hood.						Total Length = 63 Ft.

NOTE: For back exhaust, care should be taken to align exhaust with space between studs, or wall should be prepared at the time it is constructed by leaving enough space between the wall studs to accommodate exhaust.

Installation Instructions

NOTE: If you need to install ducts, note that the total duct length of 3¼" x 10" rectangular or 6" diameter round duct **should not exceed 140 equivalent feet**. Outside ventilation requires a HOOD EXHAUST DUCT. Read the following carefully.

NOTE: It is important that venting be installed using the most direct route and with as few elbows as possible. This ensures clear venting of exhaust and helps prevent blockages. **Also, make sure dampers swing freely and nothing is blocking the ducts.**

Exhaust connection:

The hood exhaust has been designed to mate with a standard 3¼" x 10" rectangular duct.





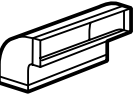
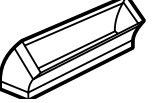
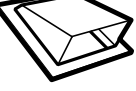
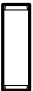
If a round duct is required, a rectangular-to-round transition adaptor must be used. **Do not use less than a 6" diameter duct.**

Maximum duct length:

For satisfactory air movement, the total duct length of 3¼" x 10" rectangular or 6" diameter round duct should not exceed 140 equivalent feet.

Elbows, transitions, wall and roof caps, etc.,

present additional resistance to airflow and are equivalent to a section of straight duct which is longer than their actual physical size. When calculating the total duct length, add the equivalent lengths of all transitions and adaptors plus the length of all straight duct sections. The chart below shows you how to calculate total equivalent ductwork length using the approximate feet of equivalent length of some typical ducts.

DUCT PIECES		EQUIVALENT LENGTH	x	NUMBER USED	=	EQUIVALENT LENGTH
	Rectangular-to-Round Transition Adaptor*	5 Ft.	x	()	=	Ft.
	Wall Cap	40 Ft.	x	()	=	Ft.
	90° Elbow	10 Ft.	x	()	=	Ft.
	45° Elbow	5 Ft.	x	()	=	Ft.
	90° Elbow	25 Ft.	x	()	=	Ft.
	45° Elbow	5 Ft.	x	()	=	Ft.
	Roof Cap	24 Ft.	x	()	=	Ft.
	Straight Duct 6" Round or 3¼" x 10" Rectangular	1 Ft.	x	()	=	Ft.
Total Ductwork					=	Ft.



*** IMPORTANT:** If a rectangular-to-round transition adaptor is used, the bottom corners of the damper will have to be cut to fit, using the tin

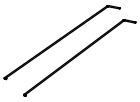
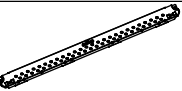
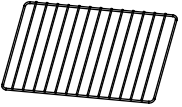

snips, in order to allow free movement of the damper. Equivalent lengths of duct pieces are based on actual tests and reflect requirements for good venting performance with any vent hood.

Installation Instructions

DAMAGE – SHIPMENT/ INSTALLATION


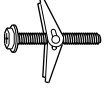


- **If the unit is damaged in shipment**, return the unit to the store in which it was bought for repair or replacement.
- **If the unit is damaged by the customer**, repair or replacement is the responsibility of the customer.
- **If the unit is damaged by the installer** (if other than the customer), repair or replacement must be made by arrangement between customer and installer.

PARTS INCLUDED

PART		QUANTITY
	Wire-Mounting	2
	Mounting-Plate	1
	shelf	1
	exhaust adaptor	1

PARTS INCLUDED




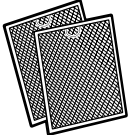

HARDWARE PACKET

PART		QUANTITY
	Wood Screws (1/4" x 2")	2
	Toggle Bolts (and wing nuts) (3/16" x 3")	3
	Self-aligning Machine Screws (1/4"-28 x 3 1/4")	3
	Nylon Grommet (for metal cabinets)	1

You will find the installation hardware contained in a packet with the unit. Check to make sure you have all these parts.

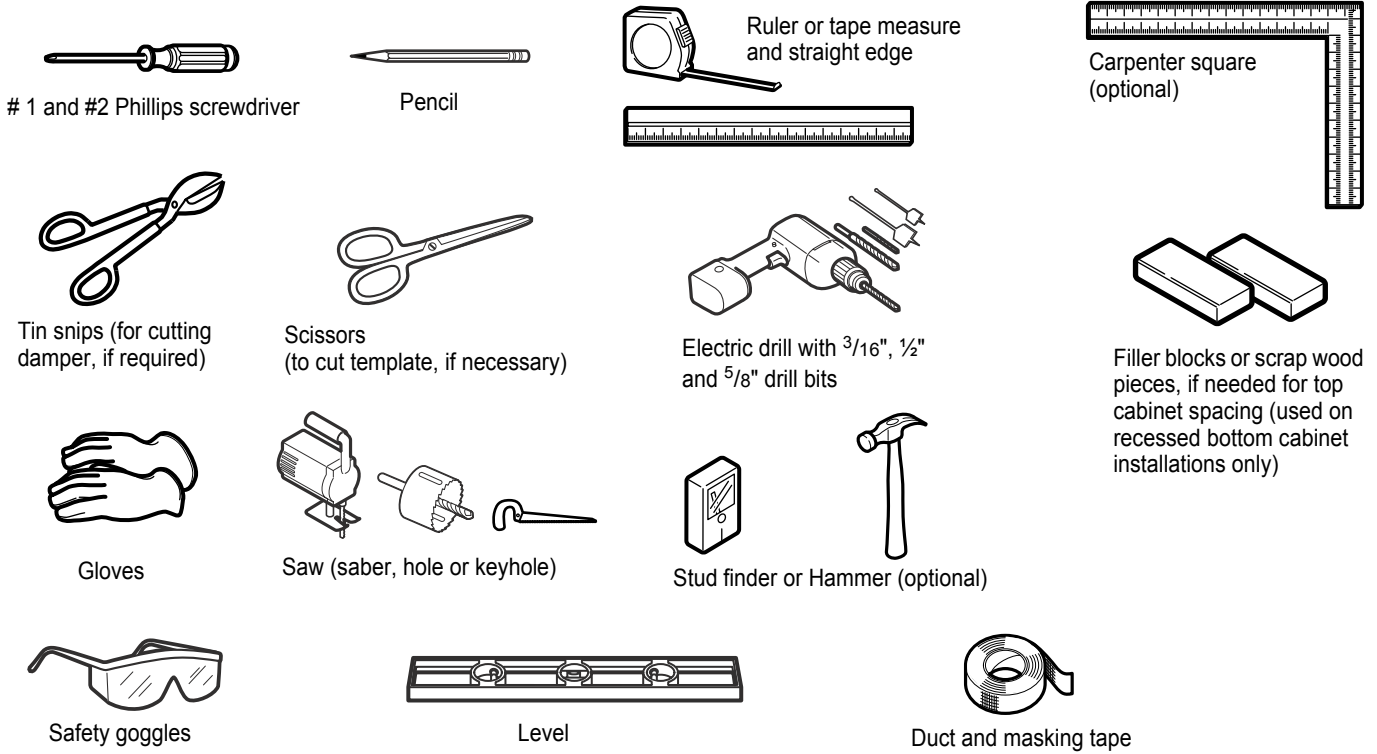
NOTE: Some extra parts are included.

ADDITIONAL PARTS

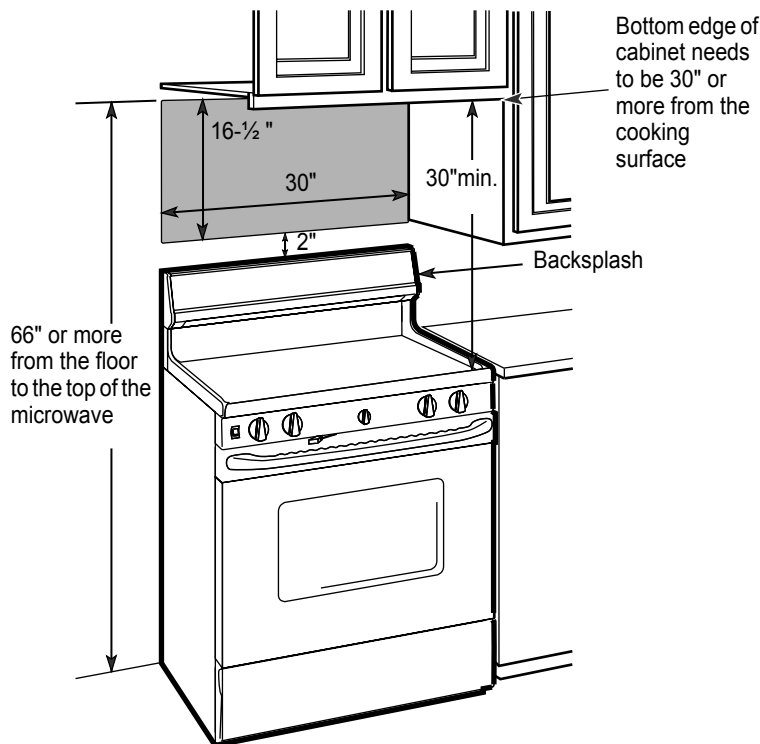
PART		QUANTITY
TOP CABINET TEMPLATE 	Top Cabinet Template	1
REAR WALL TEMPLATE 	Rear Wall Template	1
	Installation Instructions	1
	Separately Packed Grease Filters	2
	Charcoal Filter	1

Installation Instructions

TOOLS YOU WILL NEED



MOUNTING SPACE



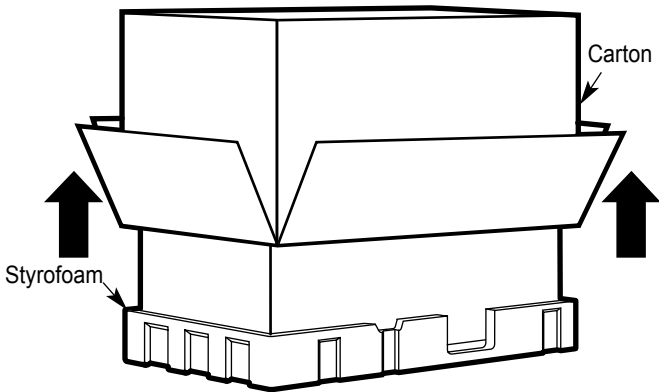
NOTES:

- The space between the cabinets must be 30" wide and free of obstructions.
- If the space between the cabinets is greater than 30", a Filler Panel Kit may be used to fill in the gap between the microwave oven and the cabinets. Your Owner's Manual contains the kit number for your model.
- This microwave oven is for installation over ranges up to 36" wide.
- If you are going to vent your microwave oven to the outside, see Hood Exhaust Section for exhaust duct preparation.
- **When installing the microwave oven beneath smooth, flat cabinets, be careful to follow the instructions on the top cabinet template for power cord clearance.**

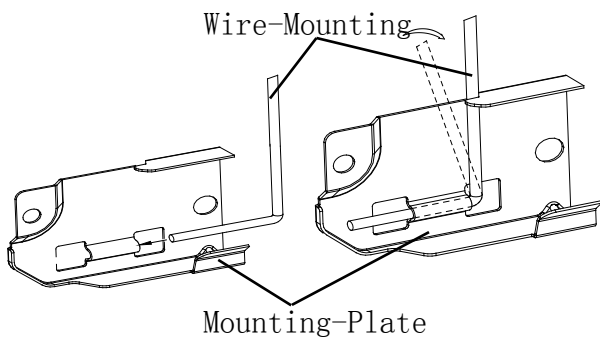
1. PLACEMENT OF THE MOUNTING PLATE

A. REMOVING THE MICROWAVE OVEN FROM THE CARTON/ ASSEMBLE THE MOUNTING PLATE

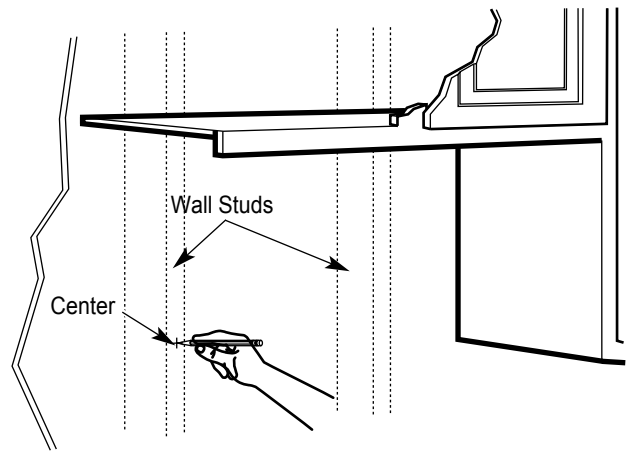
1. Remove the installation instructions, filters, glass tray and the small hardware bag. Do not remove the Styrofoam protecting the front of the oven.
2. Fold back all 4 carton flaps fully against carton sides. Then carefully roll the oven and carton over onto the top side. The oven should be resting in the Styrofoam.



3. Pull the carton up and off the oven.
4. Remove and properly discard plastic bags.
5. you will be able to assemble it take following picture.



B. FINDING THE WALL STUDS



1. Find the studs, using one of the following methods:
 - A. Stud finder—a magnetic device which locates nails.

OR

 - B. Use a hammer to tap lightly across the mounting surface to find a solid sound. This will indicate a stud location.
 2. After locating the stud(s), find the center by probing the wall with a small nail to find the edges of the stud. Then place a mark halfway between the edges. The center of any adjacent studs should be 16" or 24" from this mark.
 3. Draw a line down the center of the studs.
- THE MICROWAVE MUST BE CONNECTED TO AT LEAST ONE WALL STUD.**

Installation Instructions

C. DETERMINING WALL PLATE LOCATION UNDER YOUR CABINET

Plate position – beneath flat bottom cabinet

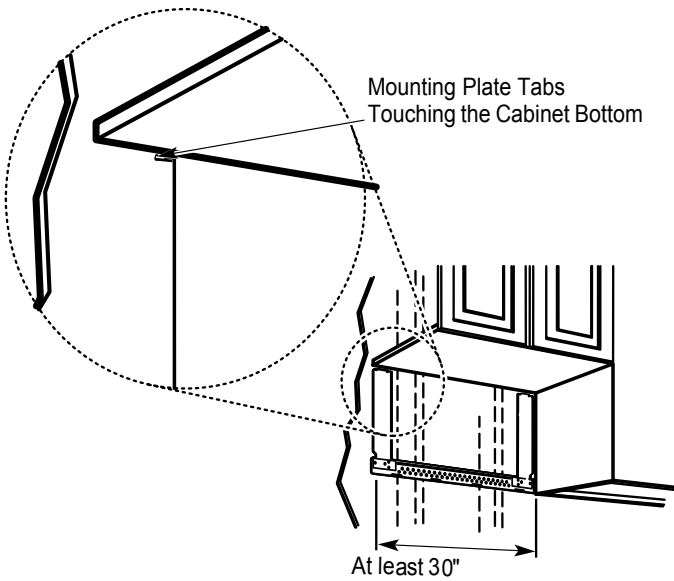


Plate position – beneath framed recessed cabinet bottom

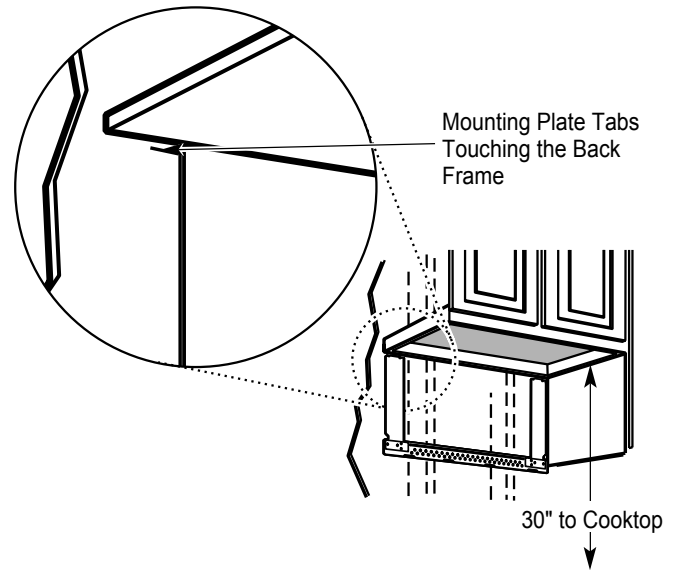
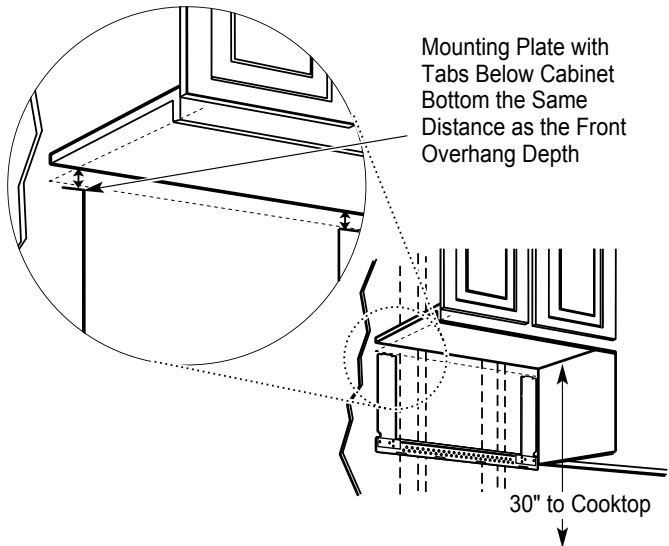


Plate position – beneath recessed bottom cabinet with front overhang



Your cabinets may have decorative trim that interferes with the microwave installation. Remove the decorative trim to install the microwave properly and to make it level.

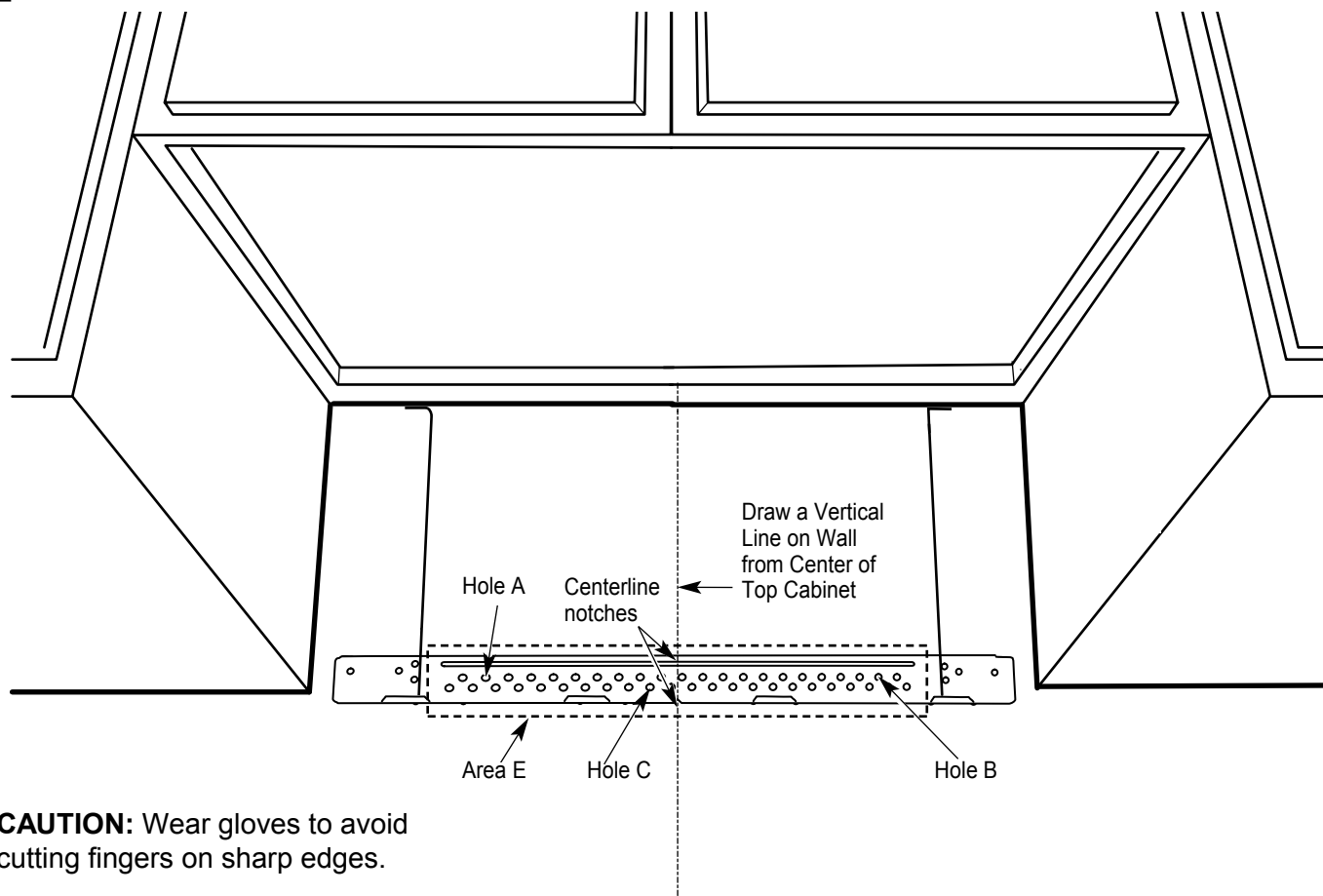
THE MICROWAVE MUST BE LEVEL.

Use a level to make sure the cabinet bottom is level. If the cabinets have a front overhang only, with no back or side frame, install the mounting plate down the same distance as the front overhang depth. This will keep the microwave level.

1. Measure the inside depth of the front overhang.
2. Draw a horizontal line on the back wall an equal distance below the cabinet bottom as the inside depth of the front overhang.
3. For this type of installation with front overhang only, align the mounting tabs with this horizontal line, not touching the cabinet bottom as described in Step D.

Installation Instructions

D. ALIGNING THE WALL PLATE



CAUTION: Wear gloves to avoid cutting fingers on sharp edges.

1. Draw a vertical line on the wall at the center of the 30" wide space.
2. Use the mounting plate **as the template** for the rear wall. Place the mounting plate on the wall, making sure that the tabs are **touching the bottom of the cabinet or the level line drawn in Step C for cabinets with front overhang. Line up the notch and center line on the bottom of the mounting plate to the center line on the wall.**
3. While holding the mounting plate with one hand, draw circles on the wall at holes A, B, and C (see illustration above/actual plate marked with arrows). **Three holes must be used for mounting.**

NOTE: Holes A,B and C are inside area E. If none of A,B and C is in a stud, find a stud somewhere in area E and draw a fifth circle to line up with the stud. It is important to use **at least one wood screw** mounted **firmly in a stud** to support the weight of the microwave. **Set the mounting plate aside.**

4. Drill holes on the circles.

If there is a stud, drill a $\frac{3}{16}$ " hole for wood screws. Three holes that don't line up with a stud, drill $\frac{5}{8}$ " a hole for toggle bolts.

NOTE: DO NOT MOUNT THE PLATE AT THIS TIME.

Installation Instructions

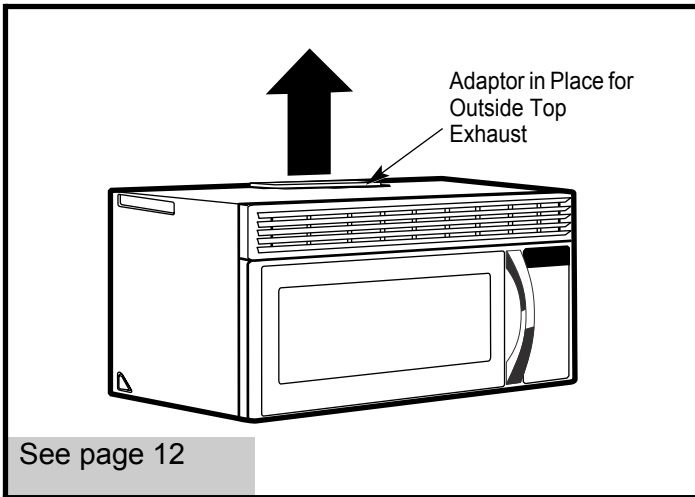
2. INSTALLATION TYPES (Choose A, B or C)

This microwave oven is designed for adaptation to the following three types of ventilation:

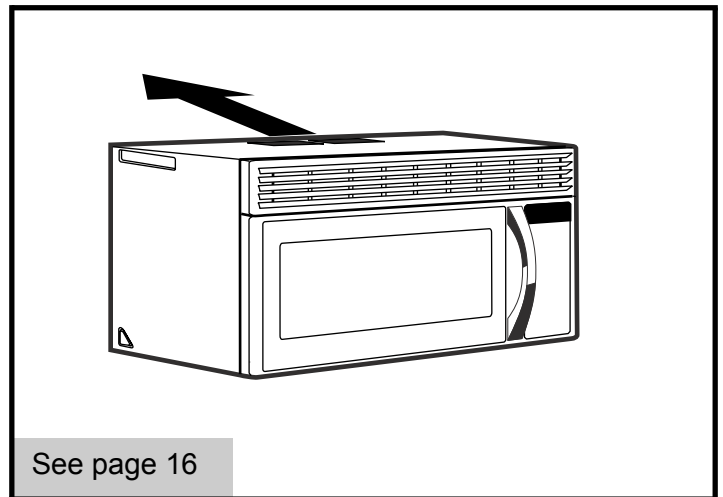
NOTE: This microwave is shipped assembled for Recirculating.

- A. Outside Top Exhaust (Vertical Duct)
- B. Outside Back Exhaust (Horizontal Duct)
- C. Recirculating (Non-Vented Ductless)

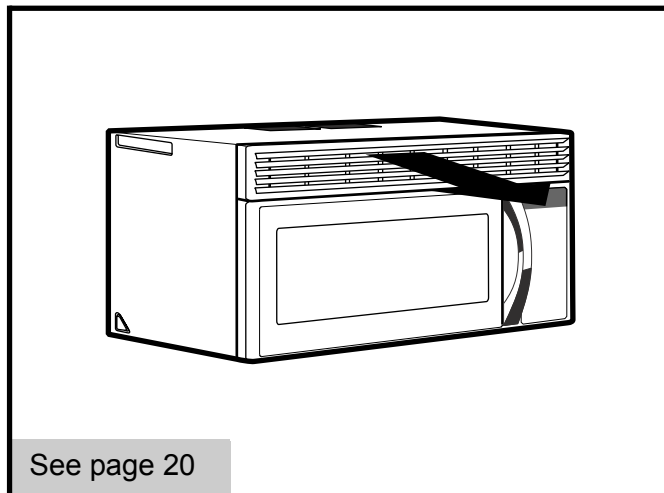
A. OUTSIDE TOP EXHAUST (VERTICAL DUCT)



B. OUTSIDE BACK EXHAUST (HORIZONTAL DUCT)



C. RECIRCULATING (NON-VENTED DUCTLESS)



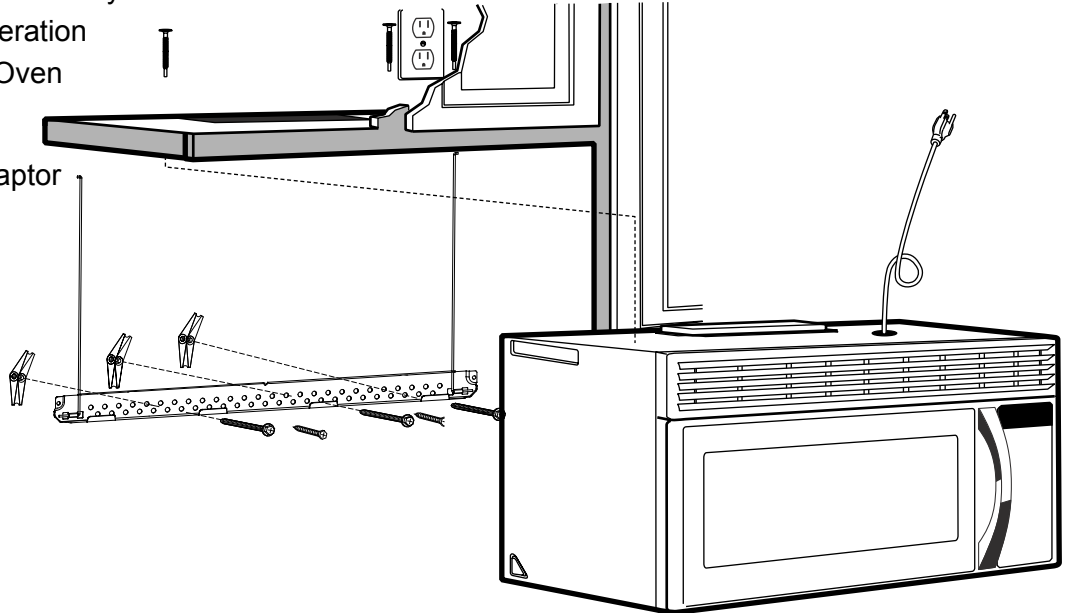
A Charcoal Filter Accessory Kit is required for the non-vented exhaust. (See your Owner's Manual for the kit number.)

Installation Instructions

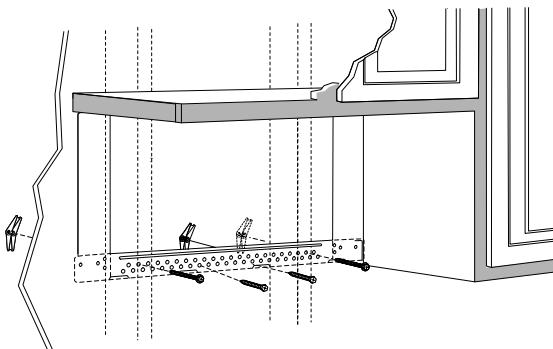
A. OUTSIDE TOP EXHAUST (Vertical Duct)

INSTALLATION OVERVIEW

- A1. Attach Mounting Plate to Wall
- A2. Prepare Top Cabinet
- A3. Check Microwave Assembly
- A4. Check Damper Operation
- A5. Mount Microwave Oven
- A6. Adjust Exhaust Adaptor
- A7. Connect Ductwork



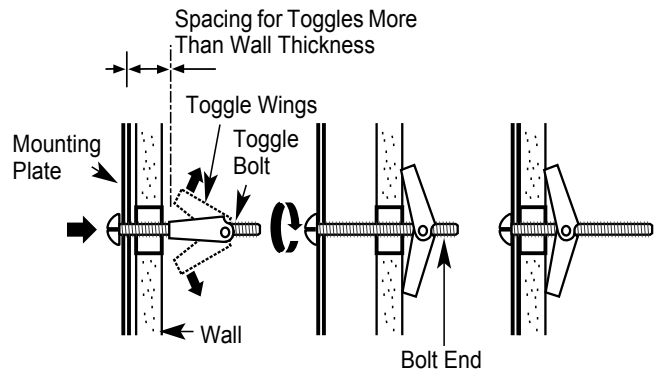
A1. ATTACH THE MOUNTING PLATE TO THE WALL



Attach the plate to the wall using toggle bolts. At least one wood screw must be used to attach the plate to a wall stud.

1. Remove the toggle wings from the bolts.
2. Insert the bolts into the mounting plate through the holes designated to go into drywall and reattach the toggle wings to $\frac{3}{4}$ " onto each bolt.

To use toggle bolts:



3. Place the mounting plate against the wall and insert the toggle wings into the holes in the wall to mount the plate.

NOTE: Before tightening toggle bolts and wood screw, make sure the tabs on the mounting plate touch the bottom of the cabinet when pushed flush against the wall and that the plate is properly centered under the cabinet.

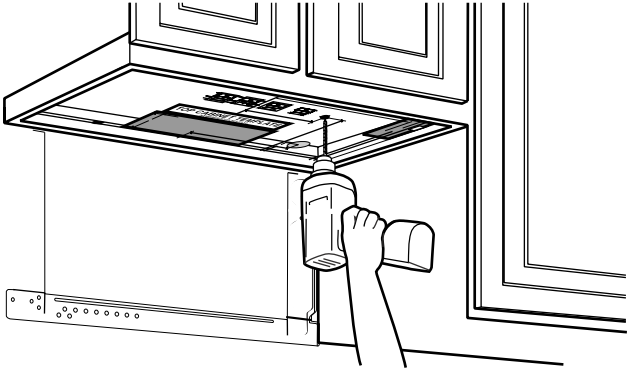
CAUTION: Be careful to avoid pinching fingers between the back of the mounting plate and the wall.

4. Tighten all bolts. Pull the plate away from the wall to help tighten the bolts.

Installation Instructions

A2. USE TOP CABINET TEMPLATE FOR PREPARATION OF TOP CABINET

You need to drill holes for the top support screws, a hole large enough for the power cord to fit through, and a cutout large enough for the exhaust adaptor.

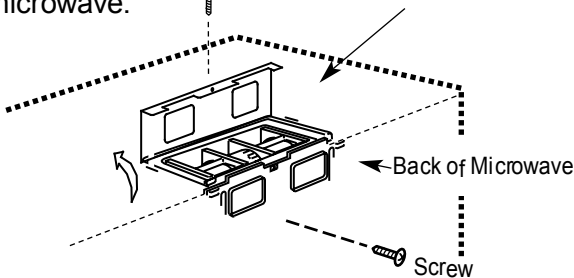


- Read the instructions on the TOP CABINET TEMPLATE.
- Tape it underneath the top cabinet.
- Drill the holes, following the instructions on the TOP CABINET TEMPLATE.

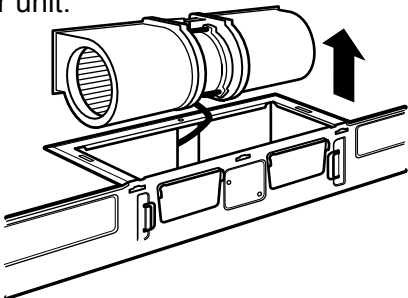
CAUTION: Wear safety goggles when drilling holes in the cabinet bottom.

A3. ADAPTING MICROWAVE BLOWER FOR RECIRCULATION

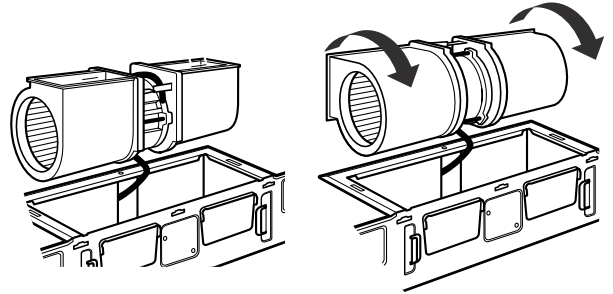
1. Remove and save screw that holds blower plate to microwave.



2. Carefully pull out the blower unit. The wires will extend far enough to allow you to adjust the blower unit.

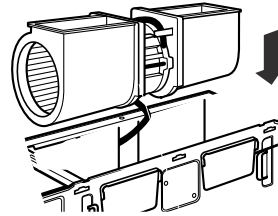


3. Roll the blower unit 90° so that fan blade openings are facing out the top of the microwave.



4. Place the blower unit back into the opening.

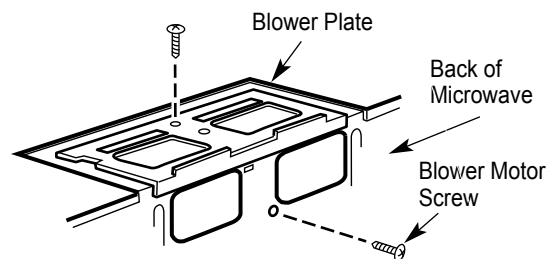
AFTER: Fan Blade Openings Facing UP



CAUTION: Do not pull or stretch the blower unit wiring. Make sure the wires are not pinched.

NOTE: The blower unit exhaust openings should match exhaust openings on rear of microwave oven.

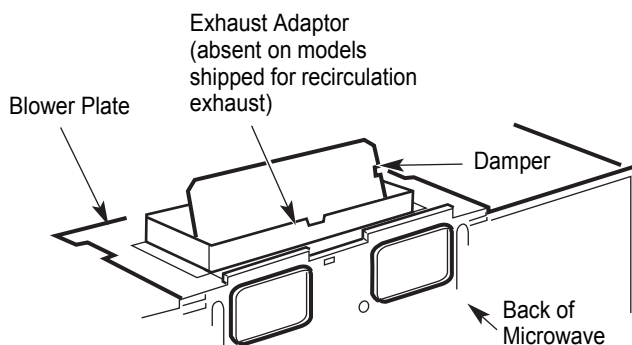
5. Secure the blower unit to the microwave with the screw from Step 1.



6. Replace the blower plate in the same position as before with the screw.

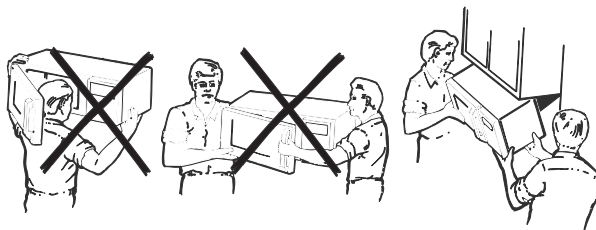
Installation Instructions

A4. CHECK FOR PROPER DAMPER OPERATION



- Place the microwave in its upright position, with the top of the unit facing up.
- This microwave oven may be shipped assembled for top exhaust (adaptor installed) or for recirculation exhaust (adaptor absent).
- **Make sure tape securing damper is removed and damper pivots easily before mounting microwave.**
- You will need to make adjustments to assure proper alignment with your house exhaust duct after the microwave is installed.

A5. MOUNT THE MICROWAVE OVEN



FOR EASIER INSTALLATION AND PERSONAL SAFETY, WE RECOMMEND THAT TWO PEOPLE INSTALL THIS MICROWAVE OVEN.

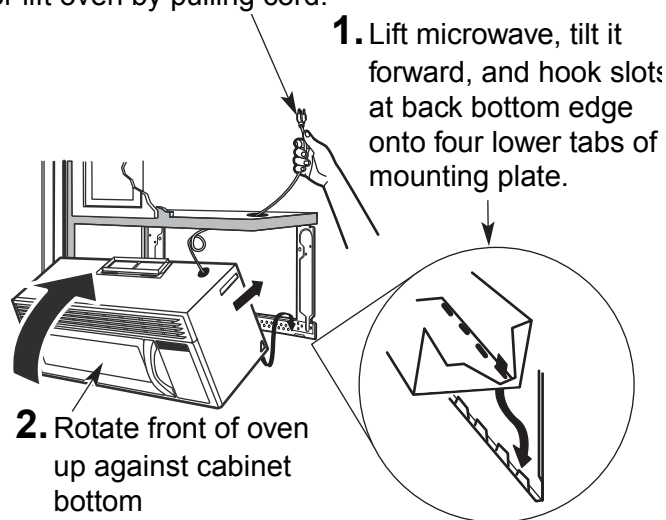
IMPORTANT: Do not grip or use handle during installation.

NOTE: If your cabinet is metal, use the nylon grommet around the power cord hole to prevent cutting of the cord.

NOTE: We recommend using filler blocks if the cabinet front hangs below the cabinet bottom shelf.

IMPORTANT: If filler blocks are not used, case damage may occur from over tightening screws.

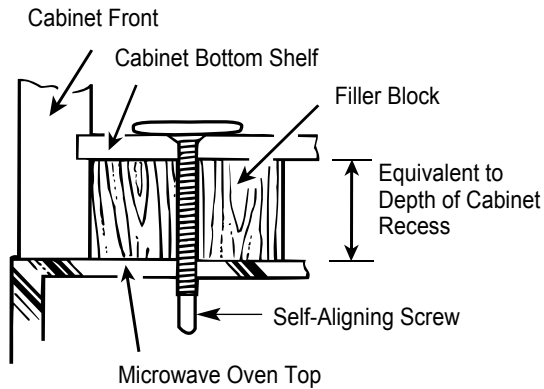
NOTE: When mounting the microwave oven, thread power cord through hole in bottom of top cabinet. Keep it tight throughout Steps 1–3. Do not pinch cord or lift oven by pulling cord.



3. Insert a self-aligning screw through top center cabinet hole. Temporarily secure the oven by turning the screw at least **two full turns** after the threads have engaged. (It will be completely tightened later.) **Be sure to keep power cord tight. Be careful not to pinch the cord, especially when mounting flush to bottom of cabinet.**

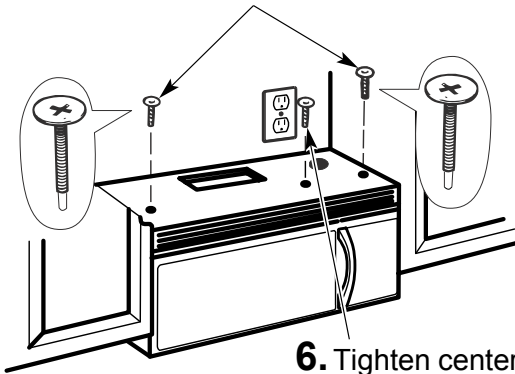
Installation Instructions

A5. MOUNT THE MICROWAVE OVEN (cont.)



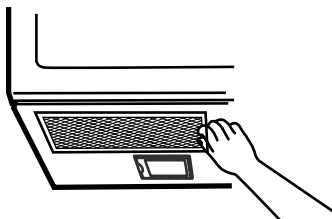
4. Attach the microwave oven to the top cabinet.

5. Insert 2 self-aligning screws through outer top cabinet holes. Turn two full turns on each screw.



6. Tighten center screw completely.

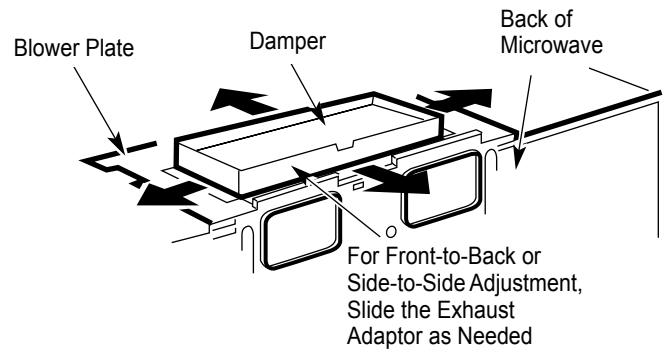
7. Tighten the outer two screws to the top of the microwave oven. (While tightening screws, hold the microwave oven in place against the wall and the top cabinet.)



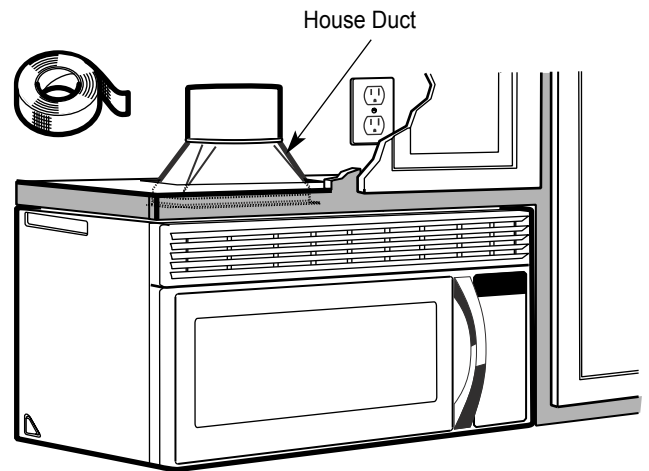
8. Install grease filters. See the Owner's Manual packed with the microwave.

A6. ADJUST THE EXHAUST ADAPTOR

Open the top cabinet and adjust the exhaust adaptor to connect to the house duct.



A7. CONNECTING DUCTWORK



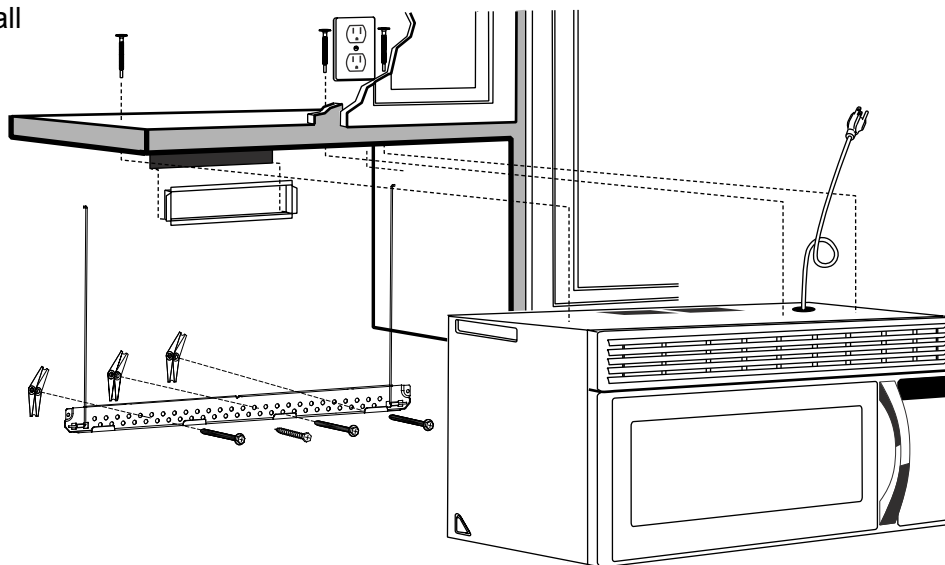
1. Extend the house duct down to connect to the exhaust adaptor.

2. Seal exhaust duct joints using duct tape.

B. OUTSIDE BACK EXHAUST (Horizontal Duct)

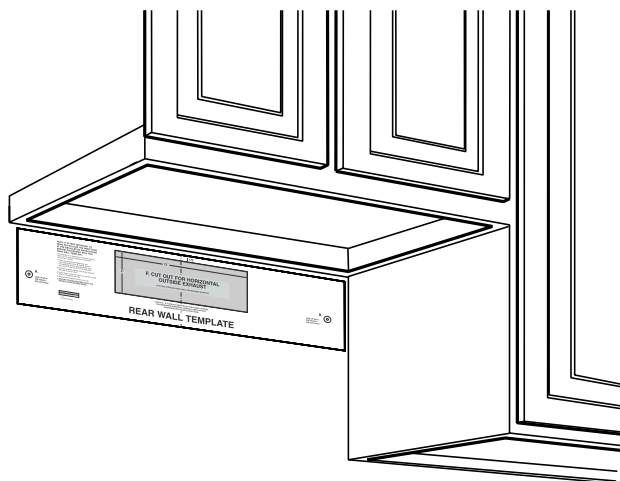
INSTALLATION OVERVIEW

- B1. Prepare Rear Wall
- B2. Attach Mounting Plate to Wall
- B3. Prepare Top Cabinet
- B4. Adjust Blower
- B5. Mount the Microwave Oven



B1. PREPARING THE REAR WALL FOR OUTSIDE BACK EXHAUST

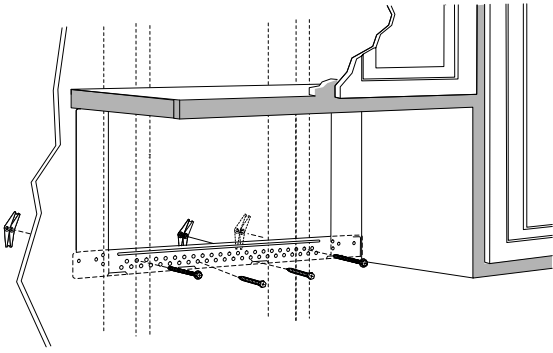
You need to cut an opening in the rear wall for outside exhaust.



- Read the instructions on the REAR WALL TEMPLATE.
- Tape it to the rear wall, lining up with the holes previously drilled for holes A and B in the wall plate.
- Cut the opening, following the instructions of the REAR WALL TEMPLATE.

Installation Instructions

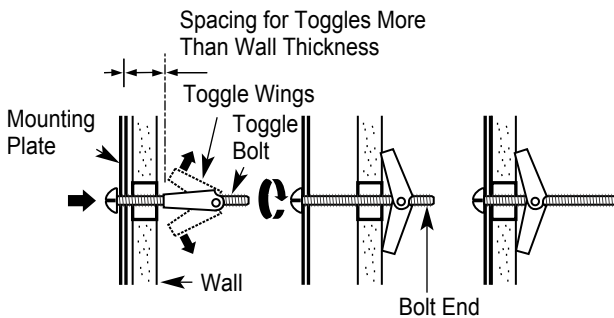
B2. ATTACH THE MOUNTING PLATE



Attach the plate to the wall using toggle bolts. At least one wood screw must be used to attach the plate to a wall stud.

1. Remove the toggle wings from the bolts.
2. Insert the bolts into the mounting plate through the holes designated to go into drywall and reattach the toggle wings to $\frac{3}{4}$ " onto each bolt.

To use toggle bolts:



3. Place the mounting plate against the wall and insert the toggle wings into the holes in the wall to mount the plate.

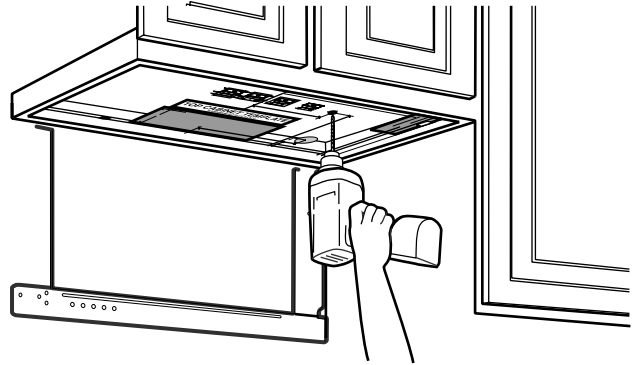
NOTE: Before tightening toggle bolts and wood screw, make sure the tabs on the mounting plate touch the bottom of the cabinet when pushed flush against the wall and that the plate is properly centered under the cabinet.

CAUTION: Be careful to avoid pinching fingers between the back of the mounting plate and the wall.

4. Tighten all bolts. Pull the plate away from the wall to help tighten the bolts.

B3. USE TOP CABINET TEMPLATE FOR PREPARATION OF TOP CABINET

You need to drill holes for the top support screws and a hole large enough for the power cord to fit through.

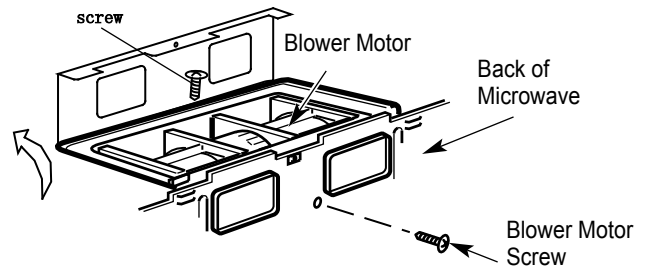


- Read the instructions on the TOP CABINET TEMPLATE.
- Tape it underneath the top cabinet.
- Drill the holes, following the instructions on the TOP CABINET TEMPLATE.

CAUTION: Wear safety goggles when drilling holes in the cabinet bottom.

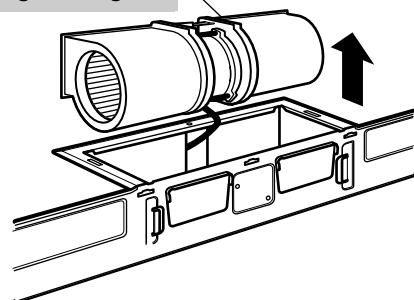
B4. ADAPTING MICROWAVE BLOWER FOR OUTSIDE BACK EXHAUST

1. Remove and save screw that holds blower motor to microwave, Lift up the blower plate.



2. Carefully pull out the blower unit. The wires will extend far enough to allow you to adjust the blower unit.

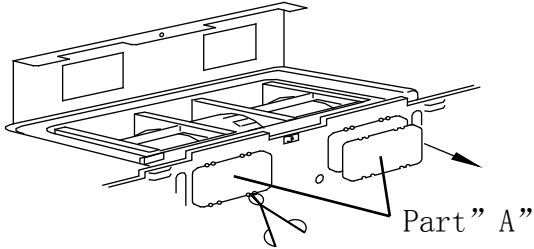
BEFORE: Fan Blade Openings Facing Front



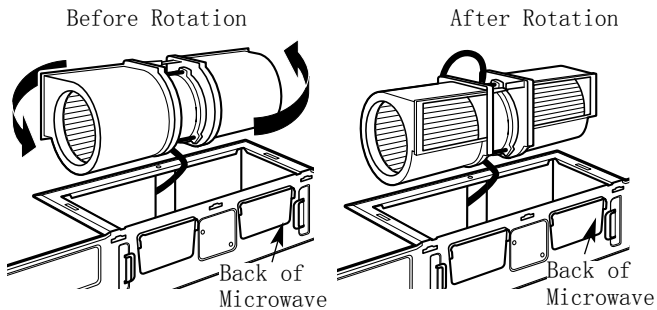
Installation Instructions

B4. ADAPTING MICROWAVE BLOWER FOR OUTSIDE BACK EXHAUST (cont.)

3. Remove "Parts A" with Nipper or Scissors.

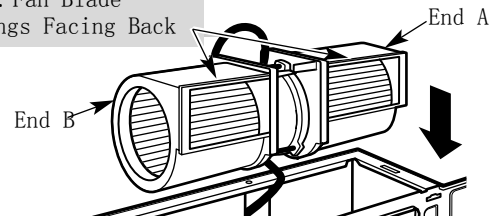


4. Rotate blower unit counterclockwise 180°.



5. Place the blower unit back into the opening.

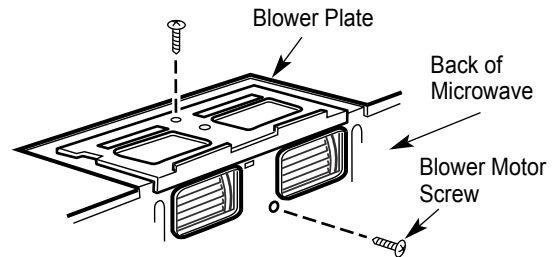
AFTER: Fan Blade
Openings Facing Back



CAUTION: Do not pull or stretch the blower unit wiring. Make sure the wires are not pinched.

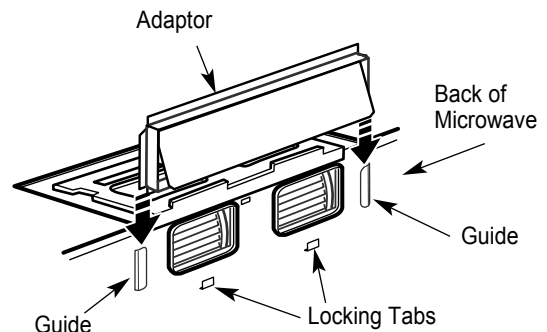
NOTE: The blower unit exhaust openings should match exhaust openings on rear of microwave oven.

6. Secure the blower unit to the microwave with the screw from Step 1.



7. Replace the blower plate in the same position as before with the screw.

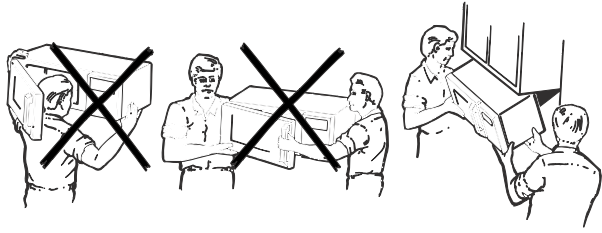
8. Attach the exhaust adaptor to the rear of the oven by sliding it into the guides at the top center of the back of the oven.



Push in securely until it is in the lower locking tabs. Take care to assure that the damper hinge is installed so that it is at the top and that the damper swings freely.

Installation Instructions

B5. MOUNT THE MICROWAVE OVEN



FOR EASIER INSTALLATION AND PERSONAL SAFETY, WE RECOMMEND THAT **TWO PEOPLE INSTALL THIS MICROWAVE OVEN.**

IMPORTANT: Do not grip or use handle during installation.

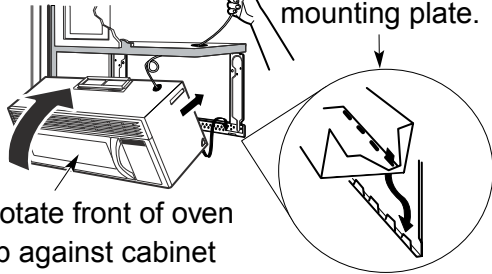
NOTE: If your cabinet is metal, use the nylon grommet around the power cord hole to prevent cutting of the cord.

NOTE: We recommend using filler blocks if the cabinet front hangs below the cabinet bottom shelf.

IMPORTANT: If filler blocks are not used, case damage may occur from over tightening screws.

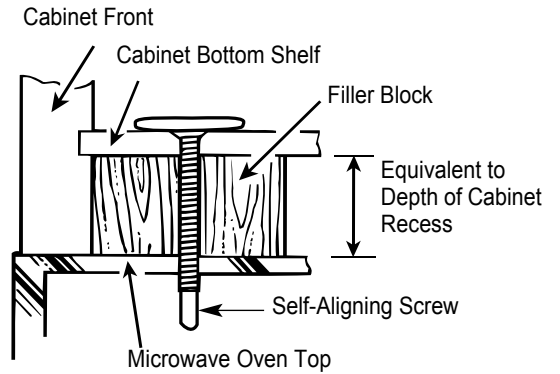
NOTE: When mounting the microwave oven, thread power cord through hole in bottom of top cabinet. Keep it tight throughout Steps 1–3. Do not pinch cord or lift oven by pulling cord.

1. Lift microwave, tilt it forward, and hook slots at back bottom edge onto four lower tabs of mounting plate.



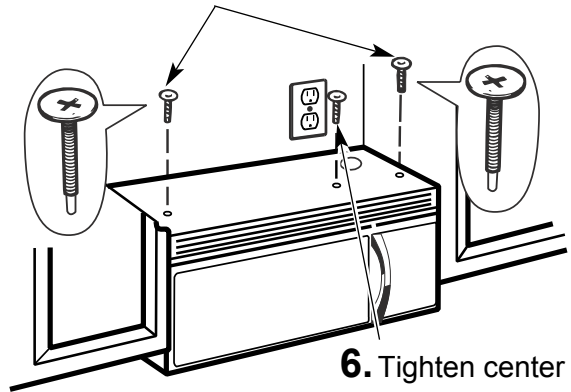
2. Rotate front of oven up against cabinet bottom

3. Insert a self-aligning screw through top center cabinet hole. Temporarily secure the oven by turning the screw at least **two full turns** after the threads have engaged. (It will be completely tightened later.) **Be sure to keep power cord tight. Be careful not to pinch the cord, especially when mounting flush to bottom of cabinet.**



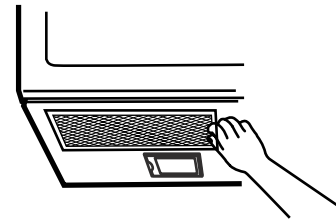
4. Attach the microwave oven to the top cabinet.

5. Insert 2 self-aligning screws through outer top cabinet holes. Turn two full turns on each screw.



6. Tighten center screw completely.

7. Tighten the outer two screws to the top of the microwave oven. (While tightening screws, hold the microwave oven in place against the wall and the top cabinet.)



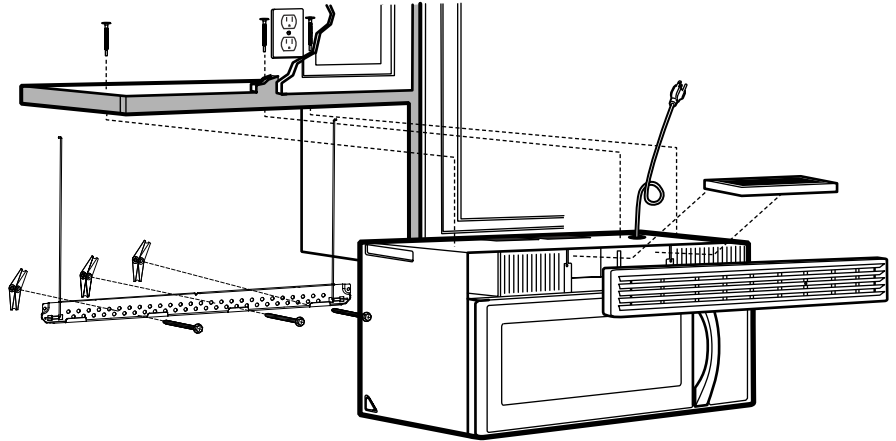
8. Install grease filters. See the Owner's Manual packed with the microwave.

Installation Instructions

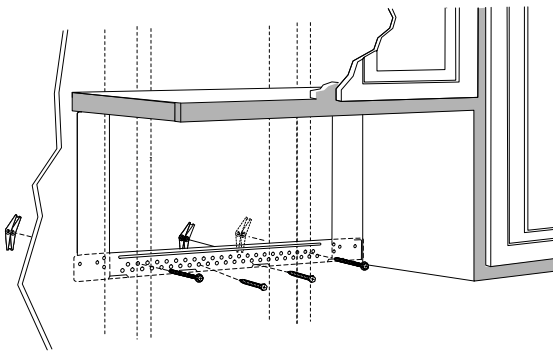
C. RECIRCULATING (Non-Vented Ductless)

INSTALLATION OVERVIEW

- C1. Attach Mounting Plate to Wall
- C2. Prepare Top Cabinet
- C3. Mount the Microwave Oven
- C4. Install Charcoal Filter



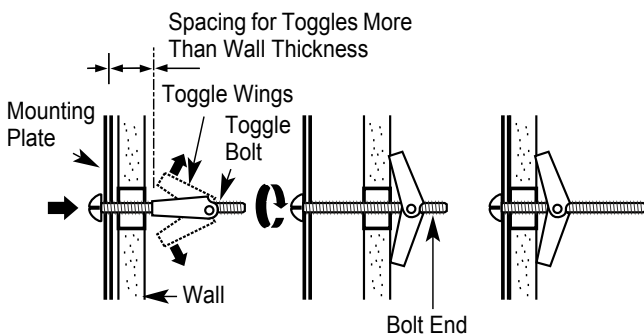
C1. ATTACH THE MOUNTING PLATE TO THE WALL



Attach the plate to the wall using toggle bolts. At least one wood screw must be used to attach the plate to a wall stud.

- 1. Remove the toggle wings from the bolts.
- 2. Insert the bolts into the mounting plate through the holes designated to go into drywall and reattach the toggle wings to $\frac{3}{4}$ " onto each bolt.

To use toggle bolts:



- 3. Place the mounting plate against the wall and insert the toggle wings into the holes in the wall to mount the plate.

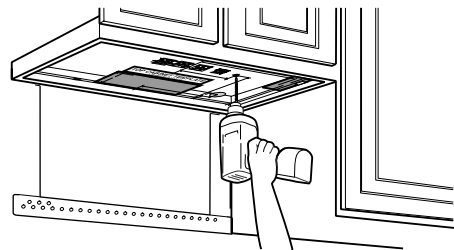
NOTE: Before tightening toggle bolts and wood screw, make sure the tabs on the mounting plate touch the bottom of the cabinet when pushed flush against the wall and that the plate is properly centered under the cabinet.

CAUTION: Be careful to avoid pinching fingers between the back of the mounting plate and the wall.

- 4. Tighten all bolts. Pull the plate away from the wall to help tighten the bolts.

C2. USE TOP CABINET TEMPLATE FOR PREPARATION OF TOP CABINET

You need to drill holes for the top support screws and a hole large enough for the power cord to fit through.



- Read the instructions on the TOP CABINET TEMPLATE.
- Tape it underneath the top cabinet.
- Drill the holes, following the instructions on the TOP CABINET TEMPLATE.

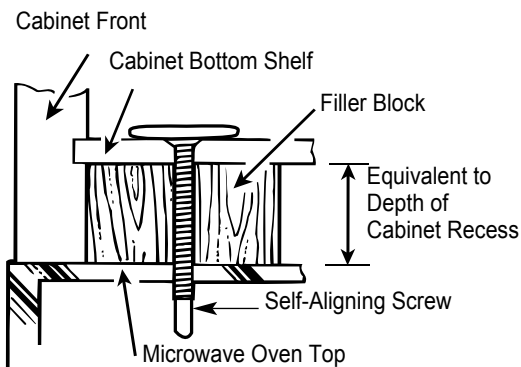
CAUTION: Wear safety goggles when drilling holes in the cabinet bottom.

Installation Instructions

C3. MOUNT THE MICROWAVE OVEN

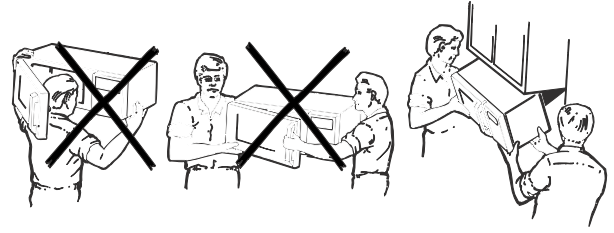
NOTE: When mounting the microwave oven, thread power cord through hole in bottom of top cabinet. Keep it tight throughout Steps 1–3. Do not pinch cord or lift oven by pulling cord.

1. Lift microwave, tilt it forward, and hook slots at back bottom edge onto four lower tabs of mounting plate.
2. Rotate front of oven up against cabinet bottom
3. Insert a self-aligning screw through top center cabinet hole. Temporarily secure the oven by turning the screw at least **two full turns** after the threads have engaged. (It will be completely tightened later.) **Be sure to keep power cord tight. Be careful not to pinch the cord, especially when mounting flush to bottom of cabinet.**



4. Attach the microwave oven to the top cabinet.

WARNING



FOR EASIER INSTALLATION AND PERSONAL SAFETY, WE RECOMMEND THAT **TWO PEOPLE INSTALL THIS MICROWAVE OVEN.**

IMPORTANT: Do not grip or use handle during installation.

NOTE: If your cabinet is metal, use the nylon grommet around the power cord hole to prevent cutting of the cord.

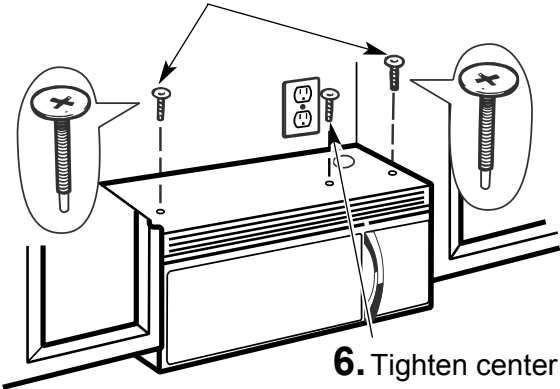
NOTE: We recommend using filler blocks if the cabinet front hangs below the cabinet bottom shelf.

IMPORTANT: If filler blocks are not used, case damage may occur from over tightening screws.

Installation Instructions

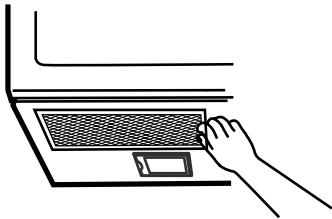
C3. MOUNT THE MICROWAVE OVEN (cont.) (Continued)

- 5.** Insert 2 self-aligning screws through outer top cabinet holes. Turn two full turns on each screw.



- 6.** Tighten center screw completely.

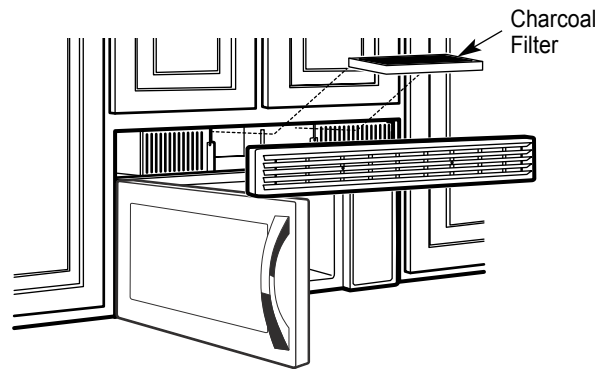
- 7.** Tighten the outer two screws to the top of the microwave oven. (While tightening screws, hold the microwave oven in place against the wall and the top cabinet.)



- 8.** Install grease filters. See the Owner's Manual packed with the microwave.

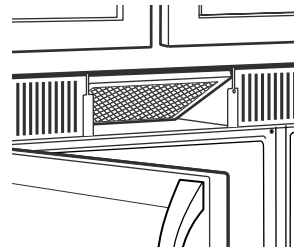
C4. INSTALLING THE CHARCOAL FILTER

- 1.** Remove screws on top of grille using a #1 Phillips screwdriver.
- 2.** Open the door.
- 3.** Remove the grille.
 - Pull the grille straight off.



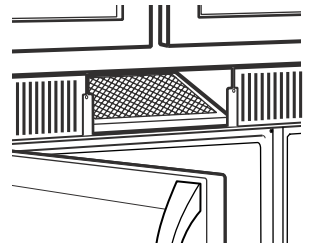
- 4.** Install the charcoal filter. When properly installed, the wire mesh of the filter should be visible from the front.
- 5.** Replace the grille and the screws.
- 6.** Close the door.

MO14XX Series Models



Insert mesh-side down

MO16XX Series Models



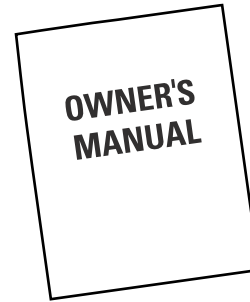
Insert mesh-side up

BEFORE YOU USE YOUR MICROWAVE

1. Make sure the microwave oven has been installed according to instructions.



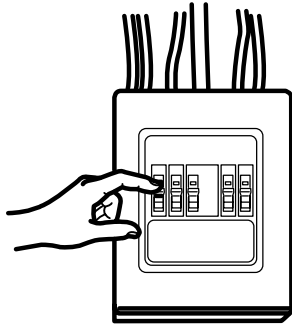
6. Read the Owner's Manual.



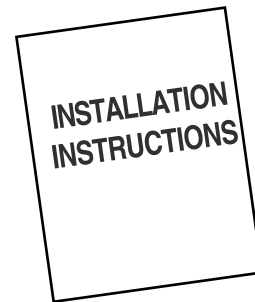
2. Remove all packing material from the microwave oven.

3. Install turntable and ring in cavity.

4. Replace house fuse or turn breaker back on.



7. KEEP INSTALLATION INSTRUCTIONS FOR THE LOCAL INSPECTOR'S USE.



5. Plug power cord into a dedicated 20 amp electrical outlet.

