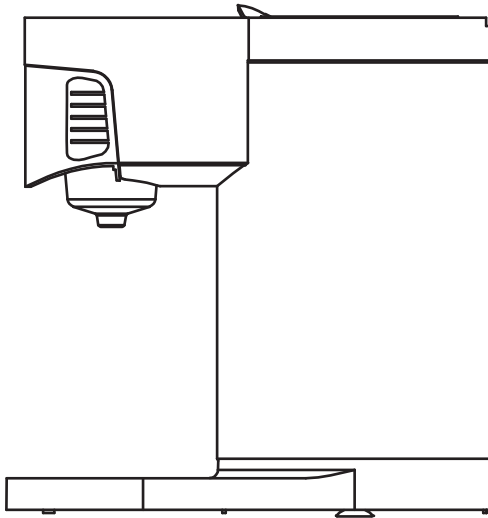


Aicok

USER MANUAL

MC-K03A



COFFEE MAKER

Aicok Home Essentials Live Comfortable

Please read the manual carefully before operating your product.
Retain it for future reference.

Table of Contents

Introduction

Safety Recommendation

Features

Getting Started

Cleaning and Maintenance

Introduction

With the Midea coffee machine you can enjoy perfect coffee in a few minute.

To optimize the taste of the coffee, you should keep the following aspects in mind:

Coffee:

In order to avoid damage, please use the suitable portion pack in fine quality and store them with closed package.

Fresh water:

Fill the Water Tank with fresh water; clean any other washable parts before beginning brewing coffee.

IMPORTANT SAFEGUARDS

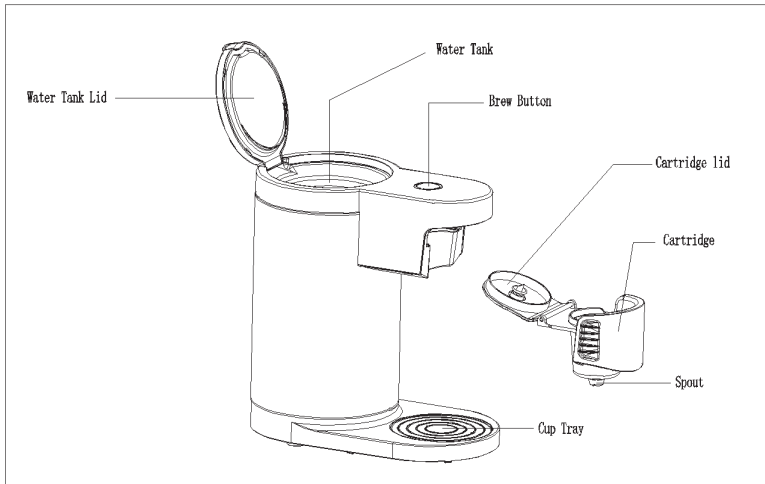
Warning: When using the appliance (following also as “the Brewer”) especially when children are present, basic safety precautions should always be followed to reduce the risk of fire, electric shock, and / or injury to persons, including the following:

- ◆ Read all instructions before using.
- ◆ Do not touch hot surfaces. Use handles and knobs when available.
- ◆ To protect against fire, electric shock and injury to persons do not immerse cord, plugs, or (state specific part or parts in question) in water or other liquid.
- ◆ Close supervision is necessary when any appliance is used by or near children.
- ◆ Unplug from outlet when not in use and before cleaning. Allow to cool before putting on or taking off parts, and before cleaning the appliance.
- ◆ Do not operate any appliance with a damaged cord or plug or after the appliance Malfunctions, or has been damaged in any manner. Return appliance to the nearest authorized service facility for examination, repair or adjustment.
- ◆ The use of accessory attachments not recommended by the appliance manufacturer may result in fire, electric shock or injury to persons.
- ◆ Do not use outdoors.
- ◆ Do not let cord hang over edge of table or counter, or touch hot surfaces.
- ◆ Do not place on or near a hot gas or electric burner, or in a heated oven.
- ◆ To disconnect, turn any control to “off,” then remove plug from wall outlet.
- ◆ Special instructions covering lid placement and removal. Wording may vary.
- ◆ Scalding may occur if the lid is removed during the brewing cycles.
- ◆ This appliance has a polarized plug (one blade is wider than the other). To reduce the risk of electric shock, this plug is intended to fit into a polarized outlet only one way. If the plug does not fit fully into the outlet, reverse the plug. If it still does not fit, contact a

qualified electrician. Do not attempt to modify the plug in any way.

- ◆ a) A short power-supply cord (or detachable power-supply cord) is to be provided to reduce risks resulting from becoming entangled in or tripping over a longer cord.
- ◆ b) Longer detachable power-supply cords or extension cords are available and may be used if care is exercised in their use.
- ◆ c) If a long detachable power-supply cord or extension cord is used:
 - 1) The marked electrical rating of the detachable power-supply cord or extension cord should be at least as great as the electrical rating of the appliance;
 - 2) If the appliance is of the grounded type, the extension cord should be a groundingtype3-wire cord; and
 - 3) The longer cord should be arranged so that it will not drape over the counter top or table top where it can be pulled on by children or tripped over.
- ◆ Do not use the appliance for other than its intended use.
- ◆ Household Use Only
- ◆ Do not immerse in water.
- ◆ **Save these Instructions.**

Features



Model	Rated Voltage	Rated Power	Water tank Capacity
MC-K03	120 V / 60 Hz	1000 W	330ml / 10 oz.

Getting Started

- ◆ Plug the appliance into its own grounded outlet. If the electric circuit is overloaded with other appliance, the Brewer may not function properly.
- ◆ Water quality varies from place to place. For the best tasting gourmet coffee, we recommend using bottled or filtered water.
- ◆ De-scale the Brewer regularly. Please see the Cleaning and Maintenance section for instructions.

Unpacking :

1. Place the Brewer box on a large steady surface (such as a table or countertop) or on the floor. Open and turn the box on its side with front of box face down.

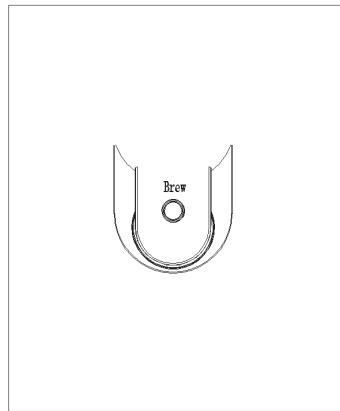
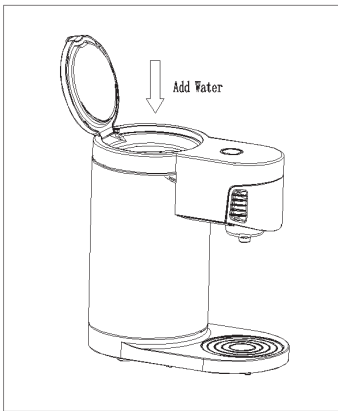
2. Reach into the box, carefully grasp and pull the plastic bag out of the box. Remove the cardboard packaging on both sides of Brewer.

3. Lift plastic bag off of Brewer, remove tape holding Water Tank and Brewer head in place.

Warning: Save all packing materials in case future necessary. Keep all plastic bags away from children.

Set-up & First brew :

Note: Before using the Brewer, please follow the instructions below. The Brewer will not function properly unless these steps are followed.



Remove all pieces of packing tape, cardboard and plastic stickers.

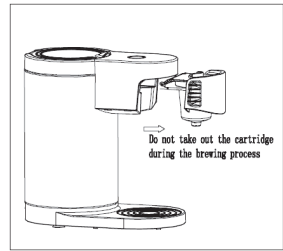
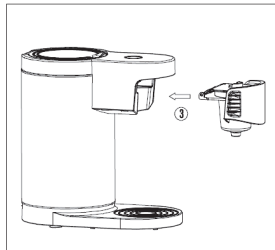
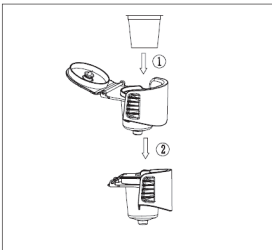
1. Fill Water Tank with bottled or filtered water so that the water level does not exceed the "Max" fill line.

2. Put a mug (10oz. minimum) on the cup tray.

3. Unwrap cord and plug the Brewer into a grounded outlet.

4. Place the cartridge to the right position without portion pack. Press and release the Brew button to turn on the Brewer (light-on, and flashing slowly).
5. The water comes out from the spout after finishing preheating (about 95s, light steady). Wait until it auto-stop.
6. Repeat the process for about 1~2 times. The Brewer is now ready to use.

Brew Coffee :



Fill Water Tank with bottled or filtered water so that the water level does not exceed the “Max” fill line.

Important: The temperature of the added water should be below 35°C. For great taste, we suggest to use 25°C water.

1. Place a cup or mug on the cup tray.
2. Take out the cartridge from Brewer, open the lid, place one portion pack in to the cartridge

Caution: To avoid risk of injury by the sharp needles those on the above and the bottom, do not put your fingers in the cartridge.

3. Firmly press down the lid, be sure to punch the portion pack both on top and bottom side. Replace the cartridge into the Brewer in right position.
4. Start the brewing process: Press and release the Brew Button for preheating (light-on, and flashing slowly)
5. Once the light turn to be steady, coffee will comes out from the spout and then light-off when brewing is auto completed.

Caution: To avoid risk of injury or scald by the hot water, do not take out the cartridge from the Brewer Head during the brew process. Once the cartridge is taken out during the brew process, the brew button will be flashing as warning, and the hot water will stop running.

6. Remove and dispose of the used portion pack in time. Enjoy the coffee!

Caution: Portion pack will be hot, wait at least 5 minutes before removing.

Stopping the brew process:

If you need to stop the brewing after process has started, press and release the Brew button to turn the Brewer “OFF”. The flow of coffee, tea or hot cocoa will stop; the heating element will shut off. If any residual water in the tank, be sure to run a process without portion pack. Please do not reverse the machine for empty.

Turning off :

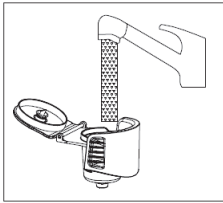
The Brewer is programmed to automatically power itself off after brewing. To turn off the Brewer off manually simply press and release the Brew button.

Cleaning and Maintenance

Unplug and cool down before cleaning.

Regular cleaning of the Brewer's external components is recommended.

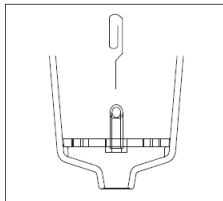
1. Never immerse the Brewer in water or other liquids. The housing and other external components may be cleaned with a soapy, damp, non-abrasive cloth.
2. The cup tray should be periodically inspected and clean by cloth.



Cleaning the cartridge

The Cartridge can be placed onto the top shelf of a dishwasher. After cleaning, simply insert the cartridge back; be sure the cartridge is firmly in place.

Note: Use low temperature cycles in the dishwasher.



Cleaning the exit needle

The exit needle is located on the inside bottom of the cartridge. Should a clog arise due to coffee grinds, it can be cleaned using a paper clip or similar tool. Remove cartridge, insert the paper clip into the needle to loosen the clog and push it out.

Caution: There are sharp needles that puncture the portion pack above the cartridge and in the bottom of the cartridge. To avoid risk of injury, do not put your fingers in the cartridge.

De-scale the Brewer:

Mineral content in water varies from place to place. Depending on the mineral content of the water in your area, calcium deposits or scale may build up in your Brewer. Scale is non-toxic, but left unattended, it can hinder Brewer performance. De-scaling your Brewer helps maintain the heating element and other internal parts that come in contact with water.

The Brewer should be de-scaled every 1-2months to ensure optimal performance. It is possible for calcium deposits to build up faster, making it necessary to de-scale more often.

1. Pour 10oz. of mix de-scale liquid into the Water Tank. Place a large mug on the Cup Tray.
2. Do not put any portion pack or coffee grounds, press and release the Brew button to start the process.
3. Refill the Water Tank with fresh water; repeat the above 3-5 steps for rinsing the Brewer.

Storage:

Turn the Brewer off, unplug it and empty the Water Tank before storing/moving, and take care to ensure that you store your Brewer in a safe and frost free environment. Please be sure to store/move your Brewer in its upright position. To avoid any leakage, please run one Rinse cycle before Storage or Movement.

When you prepare to use it after storage, we recommend rinsing the Water Tank with fresh water and running 3-5 process without a portion pack.

Huanan City, Electronic Trading Building, P09 Room 102,
Longgang District, Shenzhen, China
Website: www.Aicok.cc
Facebook Page: <https://www.facebook.com/aicoks/>



MADE IN CHINA