

PYLE
PyleUSA.com

PUCRC750 Robotic Vacuum Cleaner



PYLE
www.pyleusa.com/contactus

Instruction Manual

Read this user manual carefully before first use. Keep this manual for further guidance in case.

www.pyleusa.com

Table of Contents

Safety Instructions	1
Product Features	2-3
Product Components	4-7
Main body and accessories	4
Main body diagram	5
Dust bin	6
Rolling brush assy	6
Battery assy	7
Charging station	7
Remote control	7
Product Operation	8-13
Starting up/standby/sleeping	8
Status indicator light	8
How to use the remote control	9
Battery charging	10
Scheduling	11
Cleaning modes	11
Install water tank	12
Install side brushes	13
Replace the rolling brush	13
Replace the battery	13
Product Maintaining	14-15
Cleaning side brushes	14
Cleaning dust bin and filter	14
Cleaning the rolling brush	15
Clean sensors and auto charging sensors	15
Troubleshooting	16
Product Specifications	17

Safety Instructions

Before using this product, please read the safety instructions and follow all those regular precautions.

- Read this manual carefully before using the product.
- Save this user manual.
- Any operations that oppose description in this user manual may lead to harm human or to this product.

NOTE:

1. Only certified technician may disassemble the product.
2. Only use the adapter provided by the factory. Using other adapter may cause electric shock, fire or product damage.
3. Do not touch the adapter, power cord or plug when your hands are wet.
4. Do not let clothes or part of the body drawn into the product's wheel.
5. Do not let this product get near cigarette, lighter, or other flammables.
6. Clean the product after it has been fully charged.
7. Do not over-bend the power cord or apply pressure using heavy or sharp objects.
8. This product is for INDOOR use only.
9. Do not sit or attach an object (over 10kg) on top of this product.
10. Do not use this product in wet or damp environment (e.g. bathroom)
11. Remove all objects that could get caught in the brushes or suck passage. (Cords, papers, curtains, etc.)
12. Do not place this product where it can easily drop like tables, chairs, etc.
13. Take out the batteries during transportation or when you do not need to use it for a long time.
14. To avoid damage before charging, make sure to plug adapter socket to the wall properly.
15. To avoid accidents, inform all the people in the house when the robot is working.
16. Empty the dust bin when its full before using the product (clean it at least once a week)
17. Use this product in temperature from 0° to 40° (°C).
18. Do not place this product in high temperature environment.
19. The battery must be removed from the product before it is scrapped.
20. Users need to replace the battery in time when it depletes and dispose the old one safely.
21. Avoid using this product on dark color rugs or with dark stripes, or on plush carpets.

WARNING:

- ! Mentally challenged people or people lacking related experience and knowledge are not allowed to use this product without special guidance.
- ! Do not use this product in elevated areas that can cause accidents.
- ! Do not use the product in opens areas without protective guard.

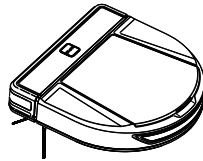
Product Features

Intelligent Suction Adjustment

This product is able to automatically adjust its suction power working on different floor environments. This makes cleaning more efficient and saves power up to 30%.

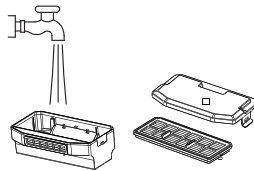
Considerate Designs

Easy to operate just pressing the "START" button, you can direct the robot.



Washable Dust Bin

The dust bin and filter could be washed by water easily. Saves time and avoids dust blowing in the air.



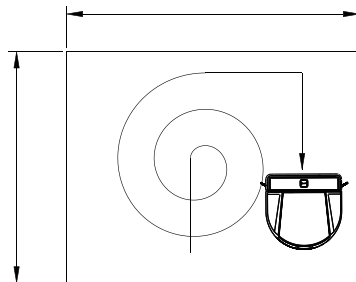
Various Cleaning Modes

There are four cleaning modes provided to meet your needs:

1. Auto Cleaning mode

The robot will clean a room automatically and adjust its cleaning according to the situation

NOTE: To start the auto mode, press the START button on the machine or with the Remote control.

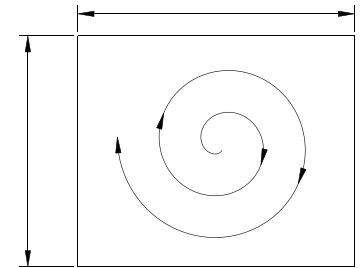


Product Features

2. Spot cleaning mode

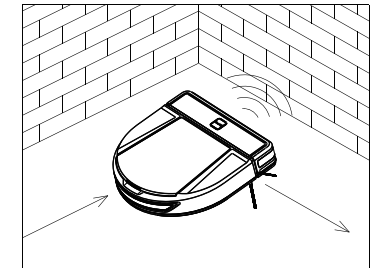
The robot will rotate intensely when it detects a dirty area. Once it finished cleaning, the robot will change to *Auto Cleaning Mode* automatically.

Note: Using the remote control, put the robot near the dirty area. Press the "spot" button to start, press again to stop spot cleaning mode.



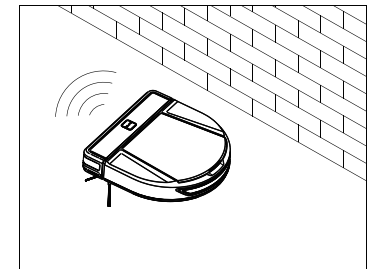
3. Edge cleaning mode

When the robot detects obstacles like wall, etc. it will change to the edge cleaning along the obstacles with its two side brushes.



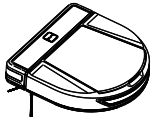

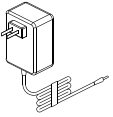

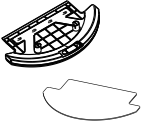
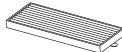

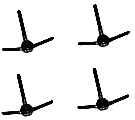


4. Scheduling mode

The robot is programmed to function on scheduled time set.



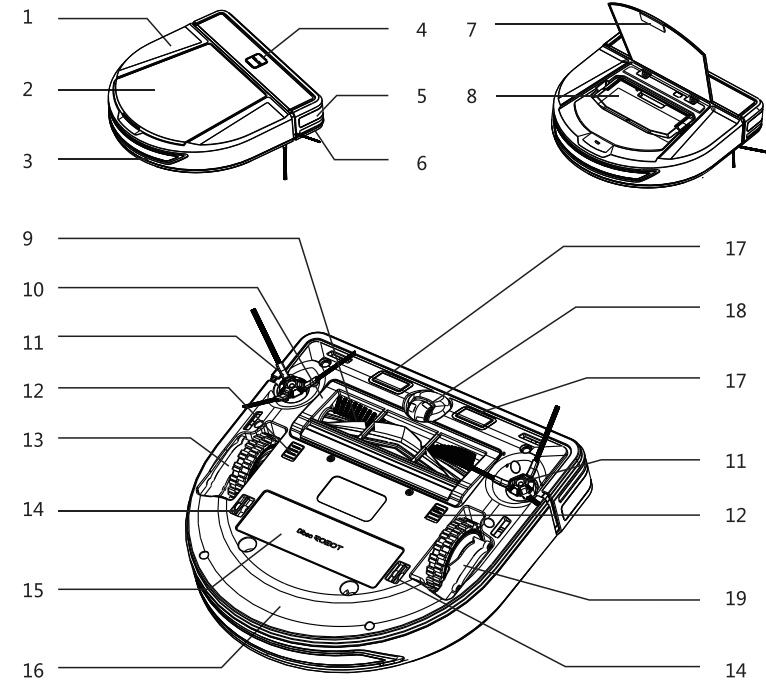
Product Parts

Main Body and Accessories

pictures	description	pictures	description
	Main body*1		Charging home base*1
	Adapter*1		Remote control*1
	Water tank/mop*1		HEPA filter*1
	Battery compartment*1		Side brush*4
	User manual*1		Cleaning brush*1

Product Parts

Main Body

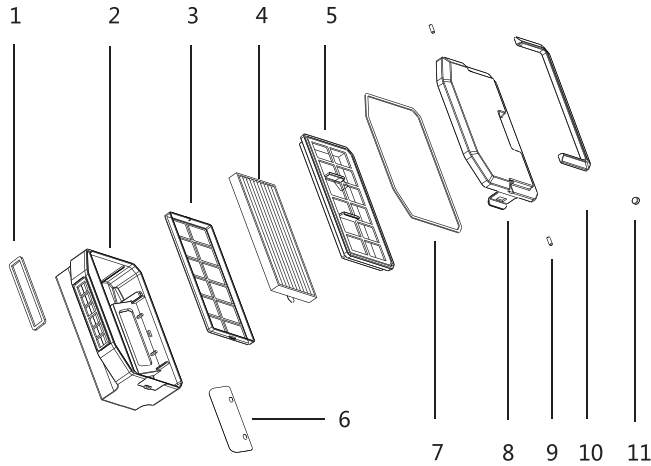


1. Main pad	2. Cover	3. Rear view window	4. Start button
5. Light filter film	6. Bumper	7. Cover lock	8. Dust bin
9. Rolling brush	10. Rolling brush guard	11. Side brush	12. Lock
13. Right wheel module	14. Battery lock	15. Battery compartment	16. Bottom body
17. Charging pole	18. Nose wheel	19. Left wheel module	

Product Parts

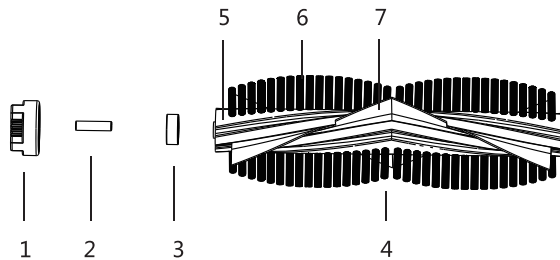
Dust bin

1. Sealing ring
2. Dust bin
3. Primary filter
4. HEPA filter
5. HEPA frame
6. Suction cover
7. Dust bin seal
8. Dust bin cover
9. Handle bearing
10. Dust bin handle
11. Induction magnet



Rolling brush and accessories

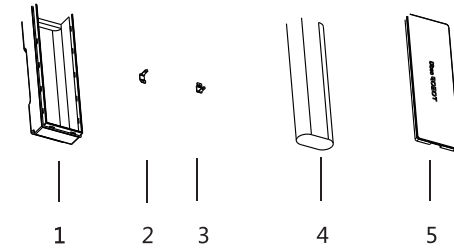
1. Bearing seat
2. Brush bearing
3. Ball bearing
4. Rolling brush
5. Brush stick
6. Brush bristle
7. Rubber brush



Product Parts

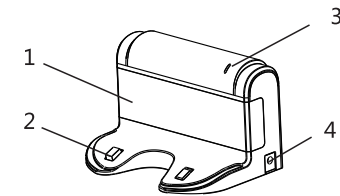
Battery compartment

1. Battery compartment
2. Positive pole
3. Negative pole
4. Li-ion batteries
5. Battery cover



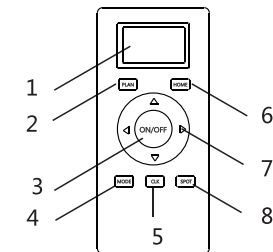
Charging base

1. Infrared signal transmitting window
2. Charge connecting point
3. Signal light
4. Power supply socket



Remote control

1. Display panel
2. Plan/Scheduling button
3. ON/OFF button
4. Mode button
5. Clock button
6. Charging button
7. Directional button
8. Spot cleaning button



Note: Install batteries (not included in the packet) first before using the remote control. Take out the batteries if you do not use the remote control for a long time.

Product Operation

Starting up/Standby/Sleeping

1. Starting up

- Make sure the battery and dust bin is placed correctly.
- Press the "START" button on main body or remote control to start cleaning.

Note: If the robot is in sleeping mode, press the "START" on main body or remote control to change it to the standby mode first and press the "START" again to start cleaning.

2. Standby

Standby means the robot on ready state waiting for further operation. Change to standby via followed ways:

- When the robot is working, press "START" to switch to standby.
- Press the ON/OFF button on the remote control.

3. Sleeping

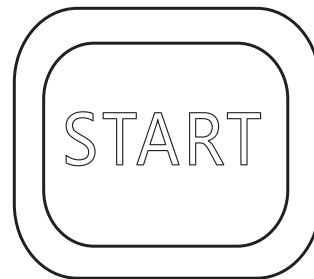
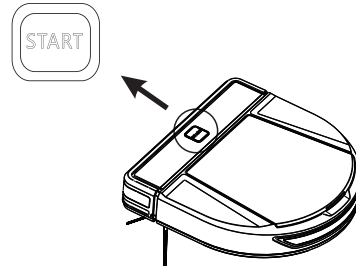
When the robot is in sleeping mode, press the "START" or long press the ON/OFF on the remote control to activate process.

To conserve battery life to a maximum degree, you can:

- Long press "START" for 3 seconds to switch to sleeping mode, while on standby mode.
- Will switch robot to sleeping automatically if there is no operation for 30 seconds.

Status Indicator Light

- | | |
|------------------|--------------------------------|
| a. Cleaning | : green light |
| b. Self-charging | : yellow light |
| c. Charging | : yellow light, strong to weak |
| d. Standby | : yellow |
| e. Error | : red light |



Product Operation

How to use the remote control

1. ON/OFF button / CLEAN button

- Short press to start cleaning when in standby/working mode
- Short press to confirm the schedule/time modification when in scheduling mode.

2. Plan / Schedule button

- In standby mode, short press to check the schedule.
- In modifying schedule mode, long press to back to sleeping.
- In standby mode, long press for 3 seconds to schedule the time.

3. Self-charging button

- When in working, short press to make the robot back to home base for charging.

4. Mode button

- When in working, short press to switch cleaning modes.

5. Clock button

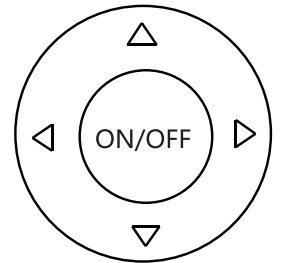
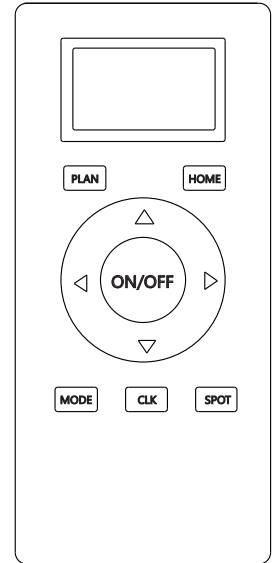
- In standby mode, short press to check the time, long press to modify the time.
- In modifying mode, short press to back to standby mode.

6. Spot button

- In standby/working mode, press to start spot cleaning.

7. Directional button

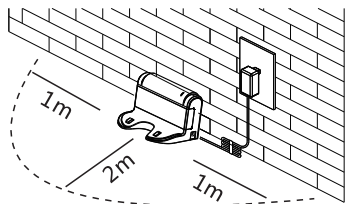
- In standby/working mode, press to make the robot turn left, right, back and go forth.
- In modifying time/schedule mode, press "Δ▽" to modify the time. Press "◀▶" to modify between "hour" and "minute".
- "Δ" : go forth
- "▽" : go back
- "◀" : turn left
- "▶" : turn right



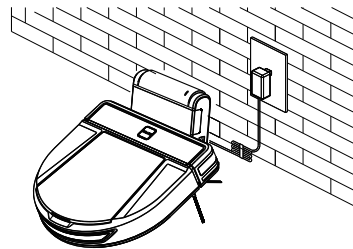
Product Operation

Battery Charging

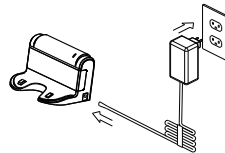
1. Place on charging home base.
Put charging home base against the wall and remove obstacles about 1 meter at two sides and about 2 meters forward like in picture a.
2. Plug into an outlet like in picture b.
3. Press the self-charging button to make the robot go back to the home base for charging like in picture c.



a



c



b

Note:

- a. During charging, the indicator light on the main body turns yellow from strong to weak.
- b. After charging is finished, the indicator light will turn green.
- c. Low power in standby mode, the indicator light will turn red.
- d. Low power in working mode, the indicator light will turn red.

Ways to effectively extend battery life:

- a. For initial use charge the robot for 12 hours.
- b. Recharge battery as soon as it's drained.
- c. The robot will automatically return to charging home base when cleaning is done or battery is low.
- d. Take out battery and store in safe keeping if robot will not be used for a long time.
- e. If the robot is not used for 3 months, please charge it for 12 hours.

Product Operation

Scheduling

You can schedule to let the robot start cleaning from a certain time with the remote control as followed:

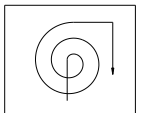
1. Make sure the robot is in standby/charging mode, long press the "Plan" button on the remote control. And the left "00" of "00:00" will flash from hour to minute setting.
2. Press 'Δ ▽' button to increase and decrease hour.
3. Press '◀ ▶' button to exchange from hour to minute.
4. Press 'Δ ▽' button to increase and decrease minute.
5. Press the ON/OFF button to save the schedule.
6. To cancel scheduling, set the number on display panel to "00:00" in scheduling mode

Note: When scheduling, the figures displayed on the screen is the delayed time. For example, 02:30 on the screen means the robot will start working 2 and half hours later from now on. (The left "00" means hour while the right one means minute.) Once the time is scheduled, the robot will always work according to the setting every day.

Cleaning mode

1. Auto cleaning

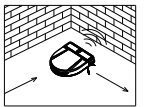
In auto mode, the robot keeps walking straight, and will automatically make a turn when meeting obstacles to cover some irregular environment and corners. (Picture 1)



1

2. Edge cleaning

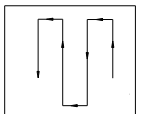
In edge cleaning, the robot walks along the obstacles and walls, ideal for corner and edge cleaning. (Picture 2)



2

3. "Lune" line cleaning

In this mode, the robot walks in a "lune" line, which avoids duplication of cleaning. Fast and effective, ideal for large regular rooms cleaning. (Picture 3)

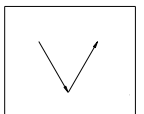


3

4. "V" line cleaning

In this mode, the robot walks in a "V" line, which avoids duplication of cleaning, also ideal for large regular rooms cleaning. (Picture 4)

Note: Press the "mode" button to exchange
"MODE 1": Auto cleaning, "MODE 2": Spot cleaning
"MODE 3": Lune line cleaning, "MODE 4": V line cleaning



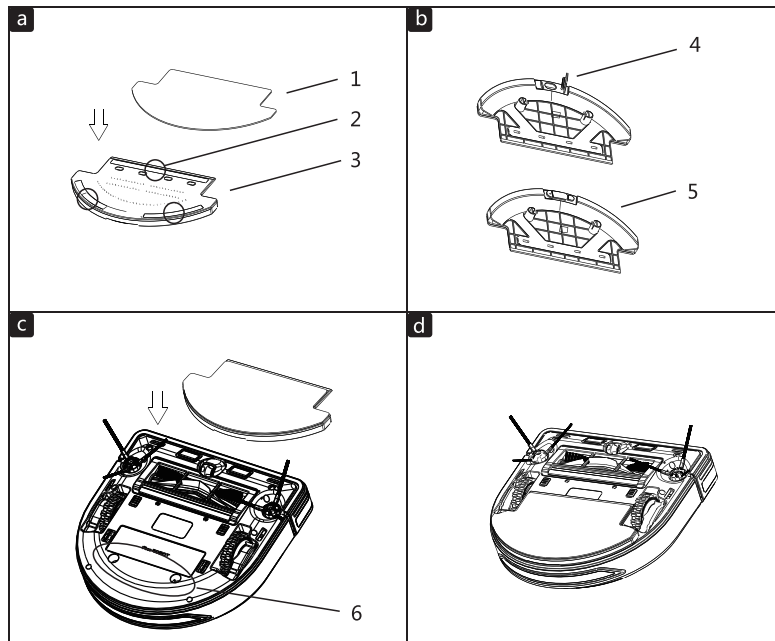
4

Product Operation

Install water tank

1. Install the mop - Attach the mop to the bottom of the water tank smoothly like in picture a.
2. Add water to the water tank - Open the plug on the water tank, fill water in the tank, then close the plug like in picture b. Install the water tank 3.
3. Turn over the robot and install the water tank to the bottom of it like in picture c & d.

Note: Top up the water tank when the water is not enough for cleaning.



1. Mop
2. Velcro strap
3. Water tank
4. Water tank plug
5. Water tank assy
6. Slot

Product Operation

Install side brushes

1. Press the side brush into the slot to install it.
2. Pull it out to take off the side brush like in picture a.

Replace the rolling brush

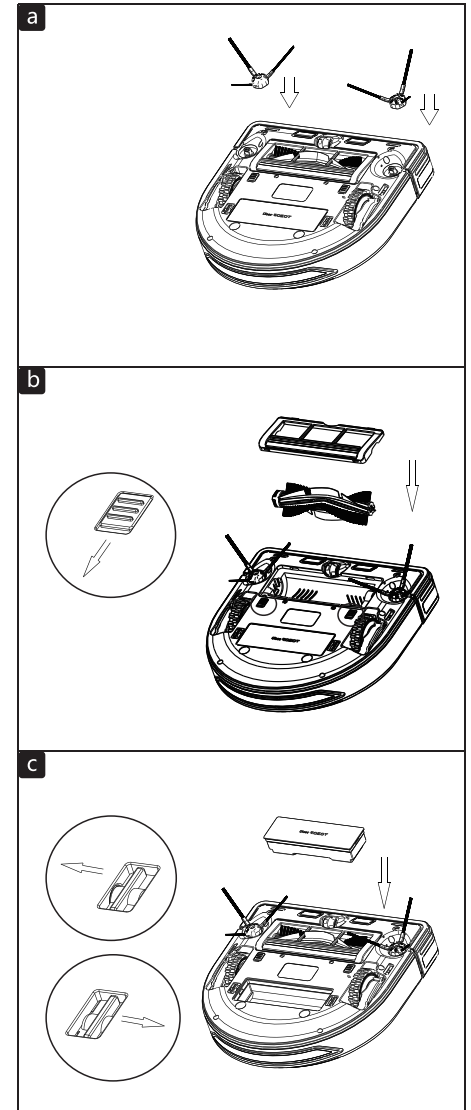
1. Remove brush guard by unlocking the two tabs and the guard will eject automatically.
2. Remove the rolling brush directly
3. Reinstall/install the guard until you hear a click sound of the rolling brush like in picture b.

Replace the battery

1. Turn over the robot, slide unlocks the battery and it will eject automatically.
2. Take out the battery directly for replacement and put it back.
3. Press down the battery until hearing a click to finish the installment.

Note:

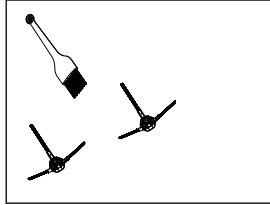
Do not replace the battery randomly. Unless the battery is not used for a long time, place the battery in a safe place to avoid short circuit.



Product Maintaining

Cleaning side brushes

1. Check the side brushes to see whether there are something stuck on them.
2. Use a cleaning brush or mop to clean side brushes (once a week).
3. Once the side brush is bent out of shape, put it in the warm water for 5 seconds.
4. Replace the side brush once it is damaged.

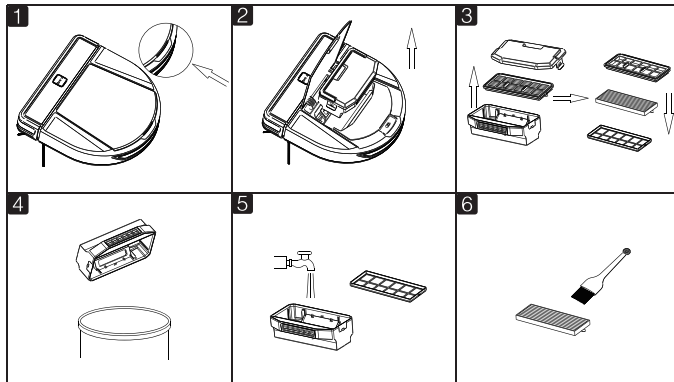


Cleaning dust bin and filter

1. Press the "Push" on the main body of the robot to open the cover, take out the dust bin assy.
2. Open the dust bin; take out the HEPA filter and the primary filter assy.
3. Empty the dust bin and wipe the dust.
4. Wash the dust bin and the primary filter by water; clean the HEPA filters with cleaning tools.
5. Install primary filter and HEPA filter into dust bin.
6. Close dust bin cover and install it into main body.

Note:

- a. The dust bin is suggested to be cleaned once a week.
- b. Wash HEPA filters after 15-20 days' use. And replace it after use for 24 months at maximum.
- c. Install both HEPA and primary filters when they are dry.
- d. Do not place HEPA and primary filters directly in the sun.
- e. HEPA and primary filters could be replaced if needed.



Product Maintaining

Cleaning the rolling brush

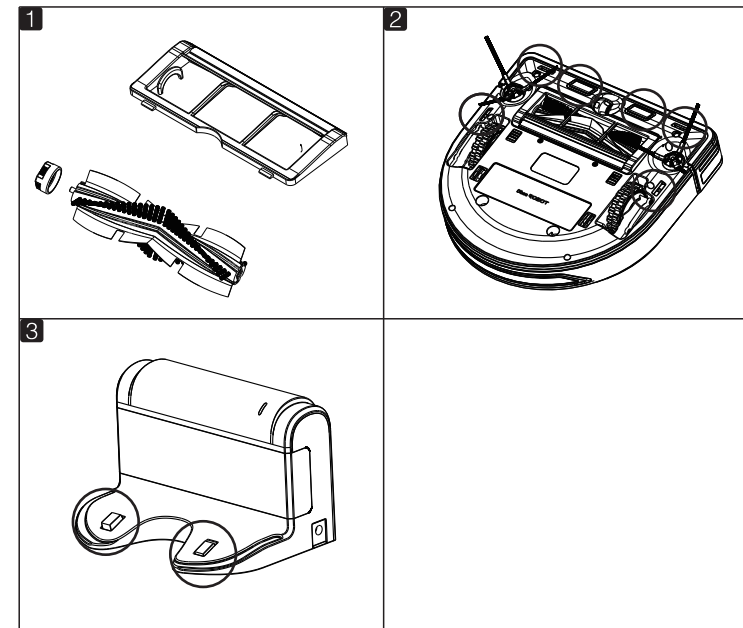
1. Remove the rolling brush assy from the main body. Clean the hairs and furs tangled on the brush. And use the cleaning tools or soft dry cloth to clean the brush and the guard cover.

Note: For best result, clean it once a week.

Cleaning sensors and auto charging sensors

1. Slightly wipe the sensor window and auto charging sensors with cleaning tools or a soft dry cloth, (see picture 2)
2. Clean charge connecting points on charging home base with a soft dry doth.(see picture 3)

Note: Never let water, thinner, etc directly touch the sensor window. Clean them once a week.



Trouble Shooting

Error Sheet

Error	Cause	Solution
The robot doesn't work, the indicator light turns red and has 3 beeps	The dust bin is full	Empty the dust bin
The robot doesn't work. The indicator light turns red after restart and has 2 beeps	The dust bin is not in the robot	Install the dust bin
	The dust bin has not been installed properly	Reinstall the dust bin
	The wheel lifts up to defect failures	Contact the seller
The robot can work but goes back and turns around every 3-5 seconds	Nose wheel failure	Contact the seller
The robot keeps going back and turning around while working	The built-in cameras are covered by dust or obstacles	Wipe the dust off
	Bumper sensor failure	Shake the bumper
	Built-in camera or bumper failure	Contact the seller

Product Specifications

Product Specifications

Classification	Item	Detail
Mechanical Specifications	Diameter	290mm
	Height	75mm
	Weight	2.6Kg
Electrical Specifications	Power voltage	14.4V
	Battery specifications	Li-ion 2200 mAh
Cleaning Specifications	Dust bin capacity	300ml
	Charging type	Auto Charging
	Cleaning mode	Auto, Spot, Edge, Daily Schedule
	Charging time	approx 2 hours
	Cleaning time	100 minutes
Main Body Button Type		Touch