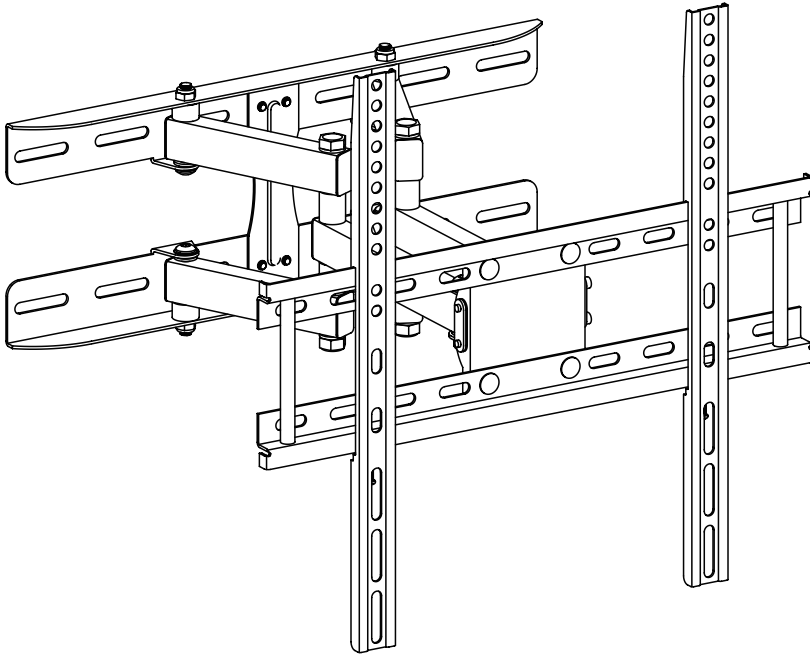


Installation Instructions

V2.0



PIMF4

Thank you for choosing our product! We strive to provide the best quality and services for our customers. Would you kindly share your experience on Amazon if you are satisfied? Should you have any issues, please don't hesitate to contact us.

Telephone: 1-800-556-9829 Mon-Fri 10am - 6pm (PST) (USA) (CAN)

Email: supportus@pipishell.net (US/CA/DE/UK/FR/IT/ES/JP/AU)

IMPORTANT SAFETY INFORMATION

- Check package contents against Supplied Parts and Hardware Lists to assure that all components were received undamaged. Do not use damaged or defective parts. If you require replacement parts, contact customer service at supportus@pipishell.net
- Not all parts and hardware included will be used.
- Carefully read all instructions before attempting installation. If you do not understand the instructions or have any concerns or questions, please contact customer service at supportus@pipishell.net.
- This product may contain moving parts. Use with caution.
- Do not use this product for any purpose or in any configuration not explicitly specified in this instruction. We hereby disclaim any liability for injury or damage arising from incorrect assembly, incorrect mounting, or incorrect use of this product.
- DO NOT INSTALL INTO DRYWALL ALONE.

Tools Needed (Not Included)



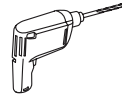
Stud Finder



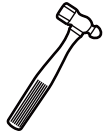
Tape Measure



Pencil



Drill



Hammer



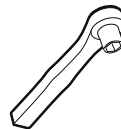
5mm
Wood Drill



10mm
Concrete Drill



10mm
Socket Wrench



13mm
Socket Wrench

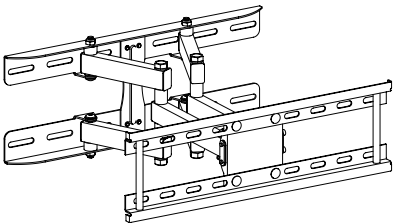


Screwdriver



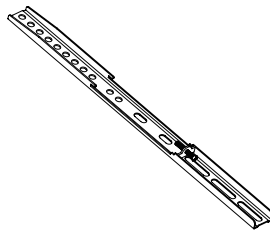
Level

Supplied Parts



Arm Assembly/Wall Plate

01 x1



TV Brackets

02 x2



Allen Wrench

03 x1 [N]

Supplied Hardware

Hardware for Attaching TV Bracket to TV

04 Washers



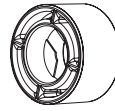
x4
M4
[C]



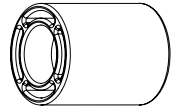
x4
M6
[D]



x8
2.5mm
[K]



x4
10mm
[L]



x4
22mm
[M]

06 TV Screws



M4 M4X30mm x4



M6 M6X16mm x4



M6X35mm x4



M8 M8 x 25mm x4



M8 x 50mm x4

Hardware for Attaching Arm Assembly/Wall Plate to Wall

Lag Bolts
M8X65



x4

A

Washer
M8



x4

E

Wall Anchor



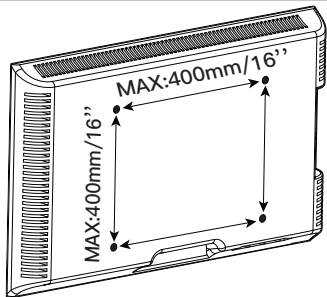
x4

B

CAUTION!

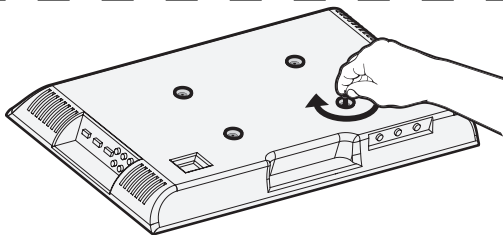
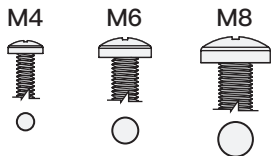
These anchors are for concrete or brick walls ONLY. DO NOT use them in drywall or wood studs.

Step 1 Check TV Hole Pattern and Select TV Screws



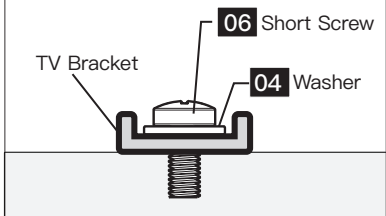
100 mm \approx 4 in
 200 mm \approx 7 7/8 in
 300 mm \approx 11 3/4 in
 400 mm \approx 15 3/4 in

Only one screw size fits your TV.

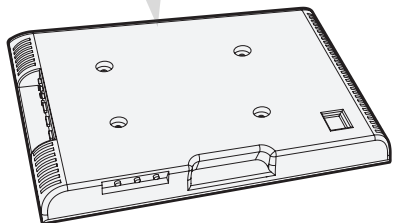


Step 2 Select Spacers (if needed)

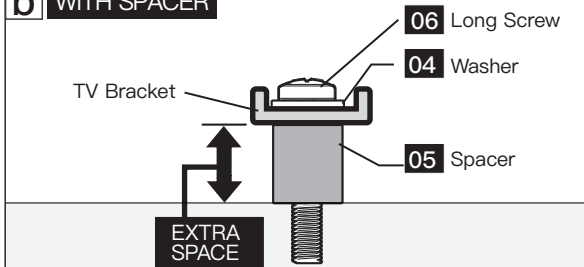
a NO SPACER



For Flat TV
 Spacer not necessary



b WITH SPACER

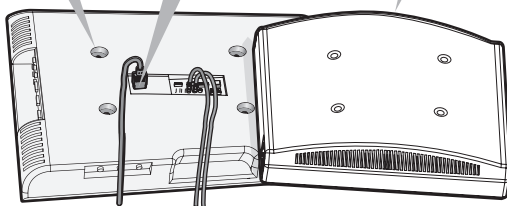
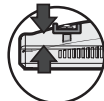


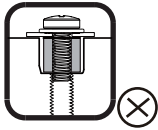
For Flat TV with:

Inset Holes

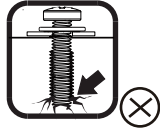
Cable Interference

For Rounded TV

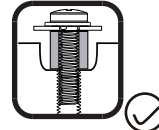
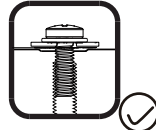




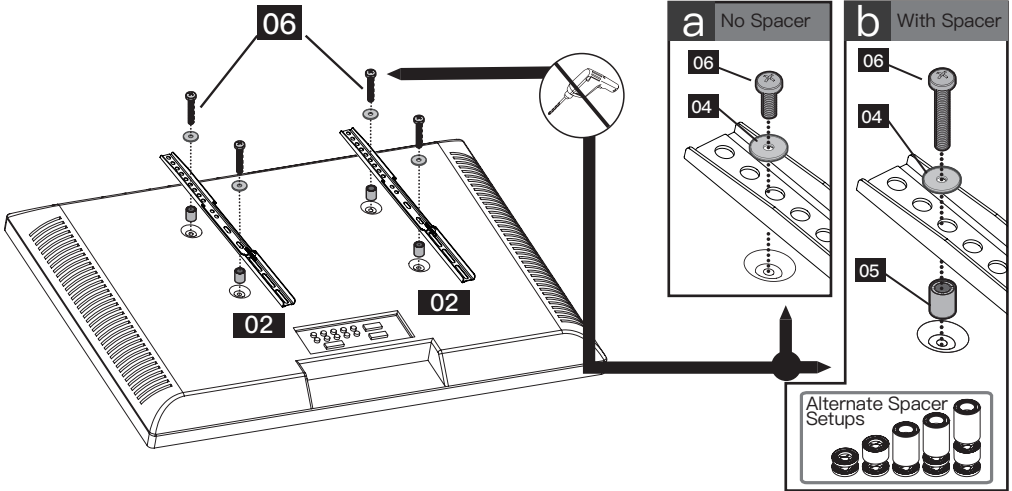
Too Short



Too Long



Step 3 Secure the TV Brackets to Your TV



Step 4 Attach the Arm Assembly/Wall Plate [01] to Wall

For wood stud installation, follow STEP 4A

For concrete installation, follow STEP 4B

Step 4A Wood Stud Option

⚠ WARNING:

● Avoid potential personal injury or property damage! DO NOT over-tighten the lag bolts [A]. Tighten the lag bolts [A] only until the washers [E] are pulled firmly against the wall plate.

● DONOT USE ANCHOR [B] FOR THIS STEP!

● Ensure the arm assembly/wall plate[01] is securely fastened to the wall before continuing on to the next step.

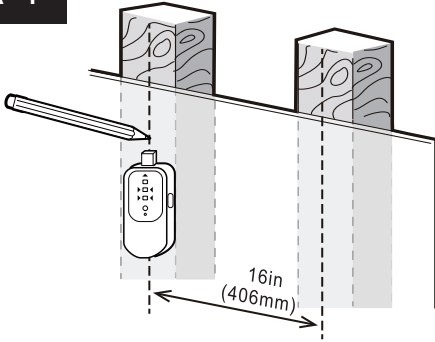
● Any material covering the wall must not exceed 5/8 in. (16 mm)

● Nominal wood stud size: common 2 x 4 in. (51 x 102 mm) minimum 1½ x 3½ in. (38 x 89 mm)

● Stud center must be verified

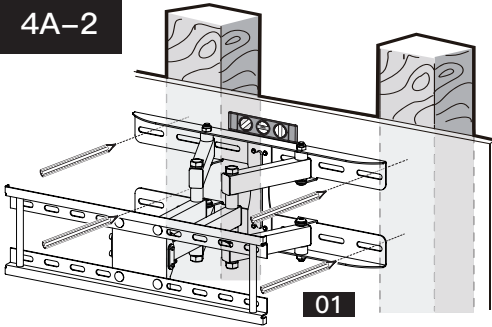


4A-1



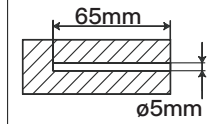
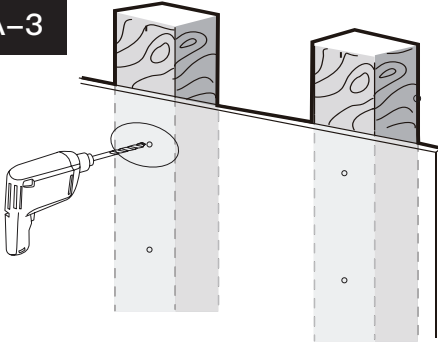
Use a stud finder(not included) to locate wood studs. Mark the edge and center locations.

4A-2



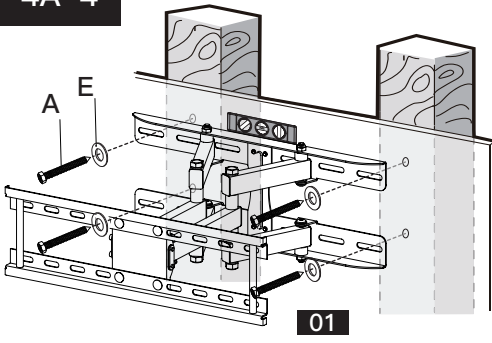
Position the arm assembly/wall plate[01] at your desired height and line up the holes with your stud center line. Level the wall plate and mark the holes.

4A-3



Drill 4 pilot holes using a 5 mm diameter drill bit. Make sure the depth is not less than 65mm.

4A-4



Install the arm assembly/wall plate using lag bolts [A] and washer [E]. Tighten the lag bolts [A] only until the washers [E] are pulled firmly against the wall plate



1/2 in.(13mm)
Socket Wrench

⚠ WARNING:

● Avoid potential personal injury or property damage! DO NOT over-tighten the lag bolts [A]. Tighten the lag bolts [A] only until the washers [E] are pulled firmly against the wall plate.

● Ensure the arm assembly/wall plate [01] is securely fastened to the wall before continuing on to the next step.

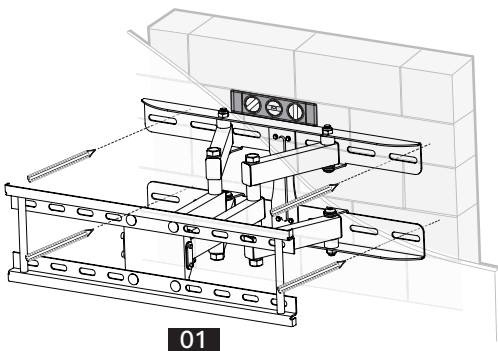


Wall
Anchor

B

- Any material covering the wall must not exceed 5/8 in. (16 mm)
- Mount the arm assembly/wall plate directly onto the concrete surface
- Minimum solid concrete thickness: 203 mm (8 in.)
- Minimum concrete block size: 203 x 203 x 406 mm (8 x 8 x 16 in.)

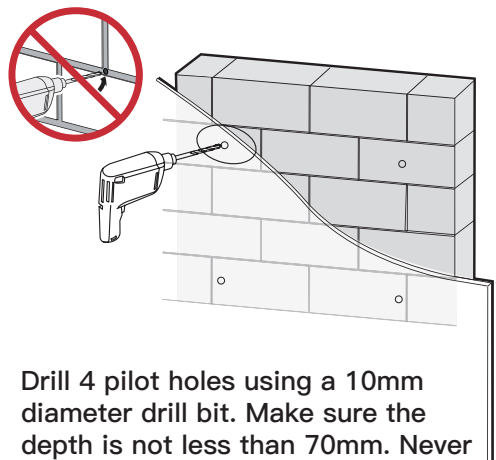
4B-1



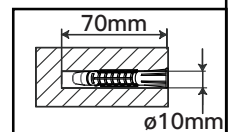
01

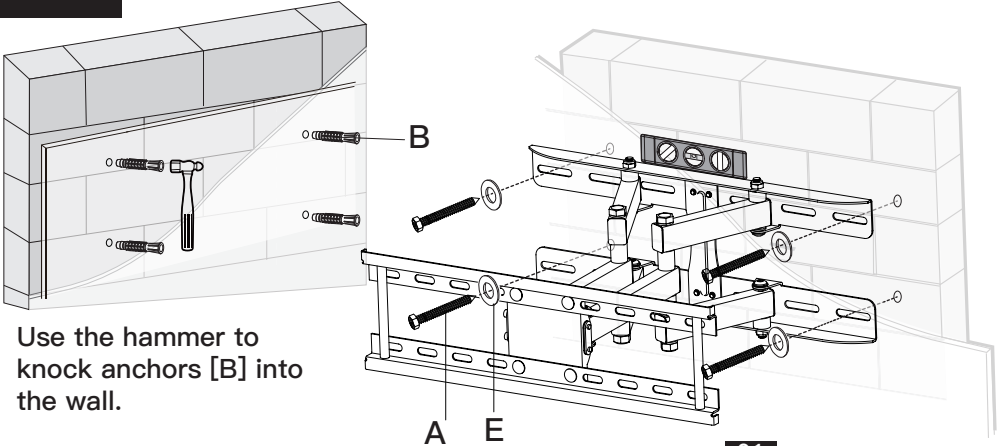
Position the arm assembly/wall plate [01] at your desired height, level the wall plate and mark the pilot hole locations.

4B-2



Drill 4 pilot holes using a 10mm diameter drill bit. Make sure the depth is not less than 70mm. Never drill into the mortar between blocks.

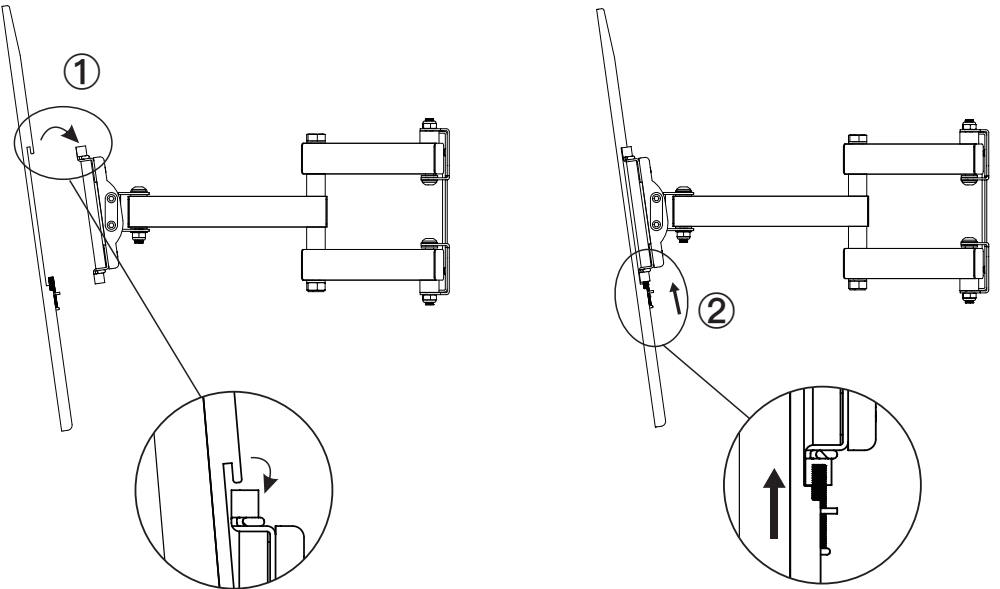




Use the hammer to knock anchors [B] into the wall.

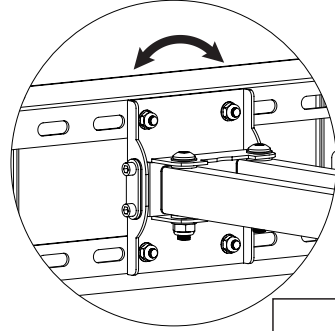
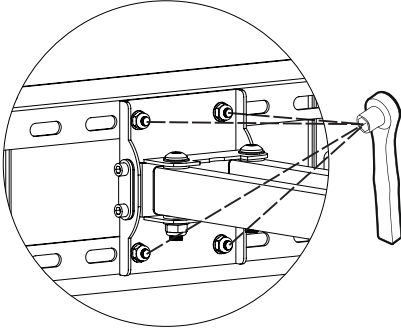
Install the arm assembly/wall plate using lag bolts [A], washers [E] and anchors [B]. Be sure the anchors [B] are seated flush with the concrete surface. Tighten the lag bolts [A] only until the washers [E] are pulled firmly against the wall plate. **DO NOT** over-tighten the lag bolts [A].

Step 5 Secure the TV onto the Arm Assembly/Wall Plate [01]



Step 6 Level Adjustment

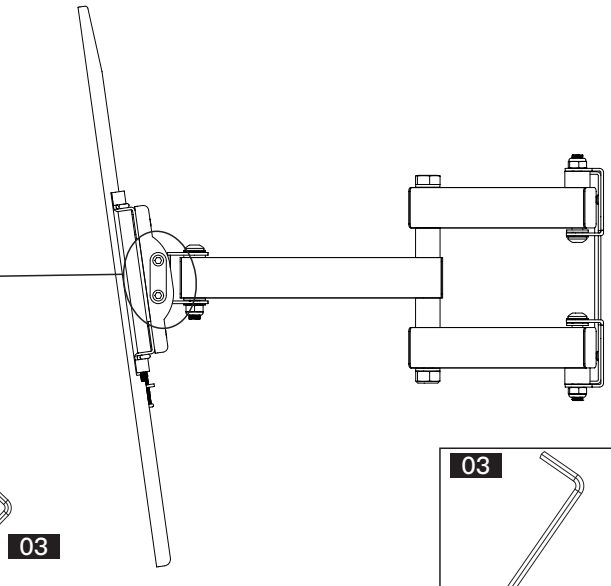
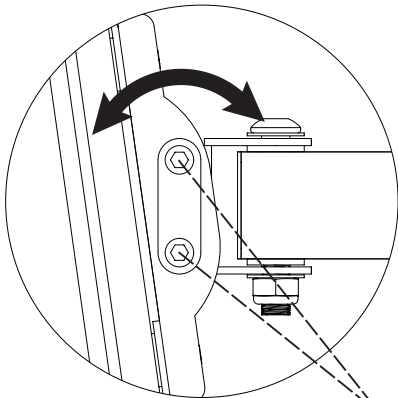
If needed, the TV can be levelled



10mm
Socket Wrench
(Not included)

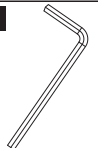
Step 7 Tilt Adjustment

Tilt adjustment



03

03



Allen Wrench

