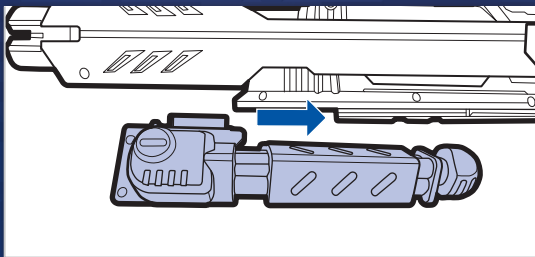
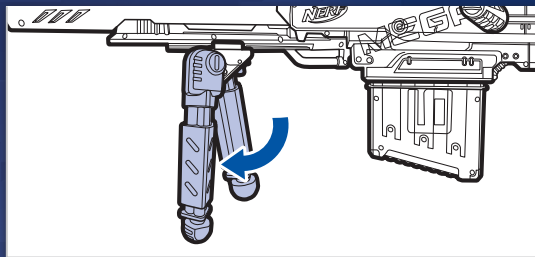


BIPOD



1. Slide BIPOD onto TACTICAL RAIL to attach.



2. Flip down BIPOD legs.

3. Slide BIPOD forward to remove.

CLEARING A JAM

1. If mechanism seems stuck, try pulling the TRIGGER first.

2. Check BARREL area for a jammed DART:

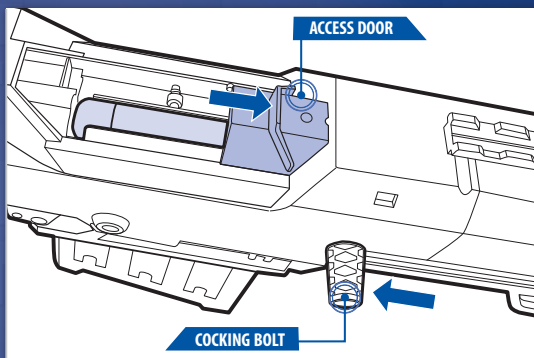
- Open the ACCESS DOOR and remove any jammed DARTS.

If the ACCESS DOOR will not open:

- Slide the COCKING BOLT all the way forward and pull TRIGGER.
- Open the ACCESS DOOR and remove any jammed DARTS.
- Close ACCESS DOOR (must be completely closed or blaster will not fire).

3. If jammed DART is in CLIP:

- Slide COCKING BOLT all the way forward.
- Press CLIP RELEASE BUTTON to unload MEGA CLIP.



If that doesn't work, remove DARTS from CLIP opening until you've removed the jammed DART.

1. Once jam is cleared, replace CLIP and slide COCKING BOLT all the way back. This should load another DART.

NOTE: Do not store blaster cocked and ready to fire. Be sure to unload DARTS from blaster before putting it away.

Product and colors may vary.

YouTube and the YouTube logo are trademarks of Google Inc.
©* and/or TM* & © 2012 Hasbro. All Rights Reserved.
TM & ® denote U.S. Trademarks. PATENTED US Pat. Nos. 5529050,
7287526, 6083127 & Pat. Pend., and EC Reg. Des. App.

A3700 PN 7339500000

Hey NERF Nation!

Join us online and keep up with the latest and greatest NERF news!

Find us on Facebook

NERF.COM

WATCH ON YouTube

Ask a parent before going online.

Questions? Call 1-800-327-8264

NERF

AGES 8+

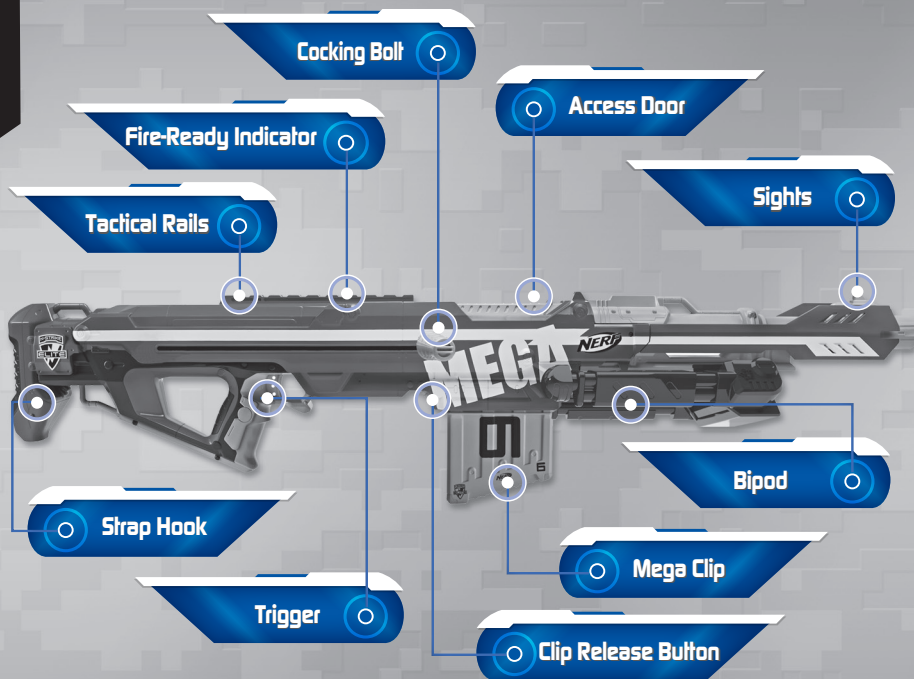


CAUTION:

Do not aim at eyes or face. TO AVOID INJURY: Use only darts designed for this product. Do not modify darts or dart blaster.

N-STRIKE[®]

EDGE
SERIES



Adult assembly required.
No tools needed.

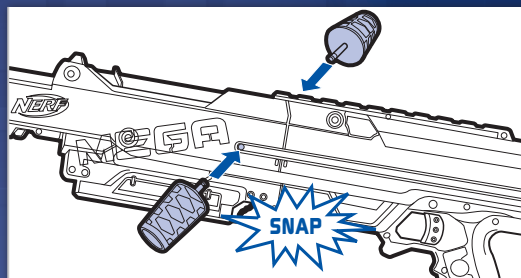
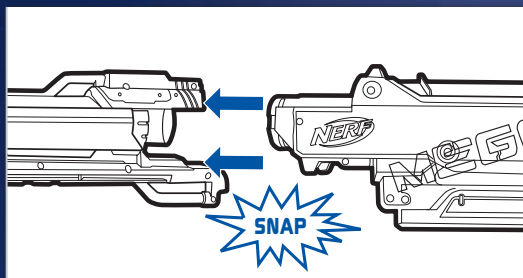
Uses MEGA Darts for MEGA Distance!



Be sure to read and follow all instructions carefully before using this product.

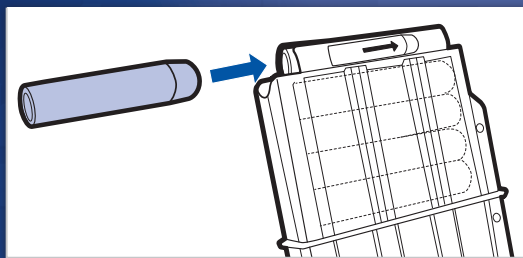
CENTURION™*

ASSEMBLY



These parts can't be removed once they're attached.

LOADING AMMO



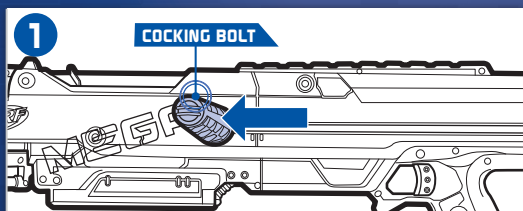
Load MEGA DARTS into the MEGA CLIP.

- Be sure DARTS are inserted in direction indicated on CLIP.
- Insert 1 DART at a time and push down.
- Included CLIP can hold up to 6 MEGA DARTS.

Do not insert more than 6 darts in clip.

NOTE: Use only MEGA DARTS with this blaster.

INSERTING CLIP

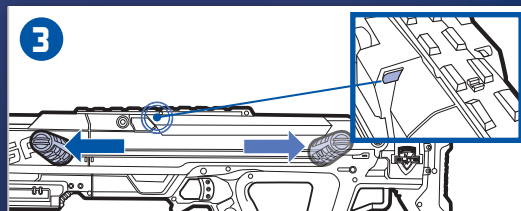
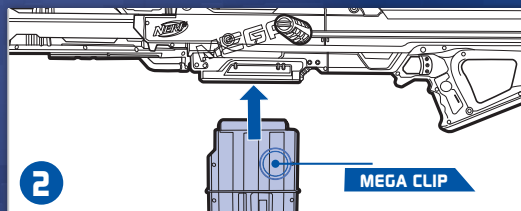


1. Slide **COCKING BOLT** all the way forward. Keep in the foremost position.

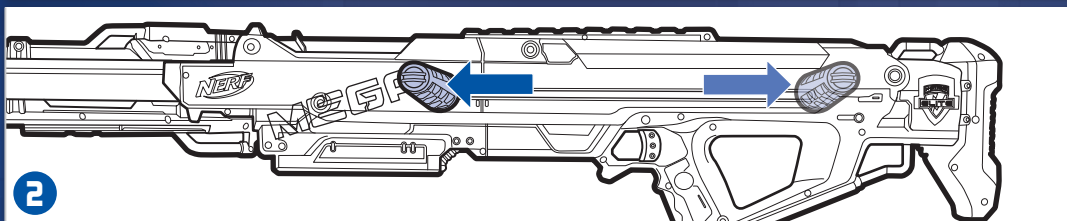
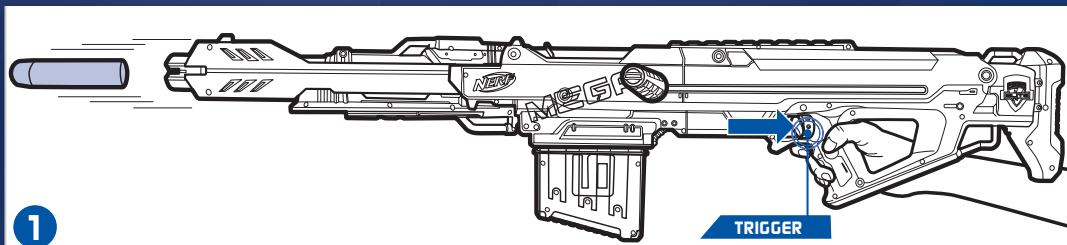
2. Insert **CLIP** into **MAIN BLASTER UNIT** (make sure arrow on **CLIP** points away from trigger).

3. Slide **BOLT** all the way back and then slide **BOLT** all the way forward until **READY INDICATOR** is green. You're ready to fire!

NOTE: The **CLIP** can't be removed when the blaster is in ready-to-fire position.



FIRING

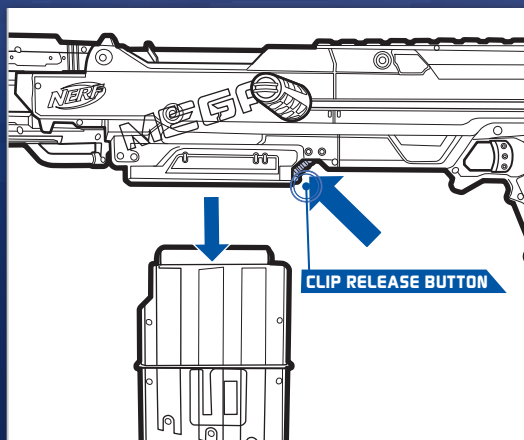


1. Pull **TRIGGER** to launch **DART**.

2. To fire again:

- Slide **COCKING BOLT** all the way back, then slide all the way forward to chamber another **DART**.
- Pull **TRIGGER** to fire.
- Repeat this step until **CLIP** is empty.

RELOADING



1. Press **CLIP RELEASE BUTTON** and remove **CLIP**.

NOTE: If the blaster is in ready-to-fire position, point the blaster at the ground and pull **TRIGGER** to fire before removing **CLIP**.

2. Repeat steps for loading ammo.