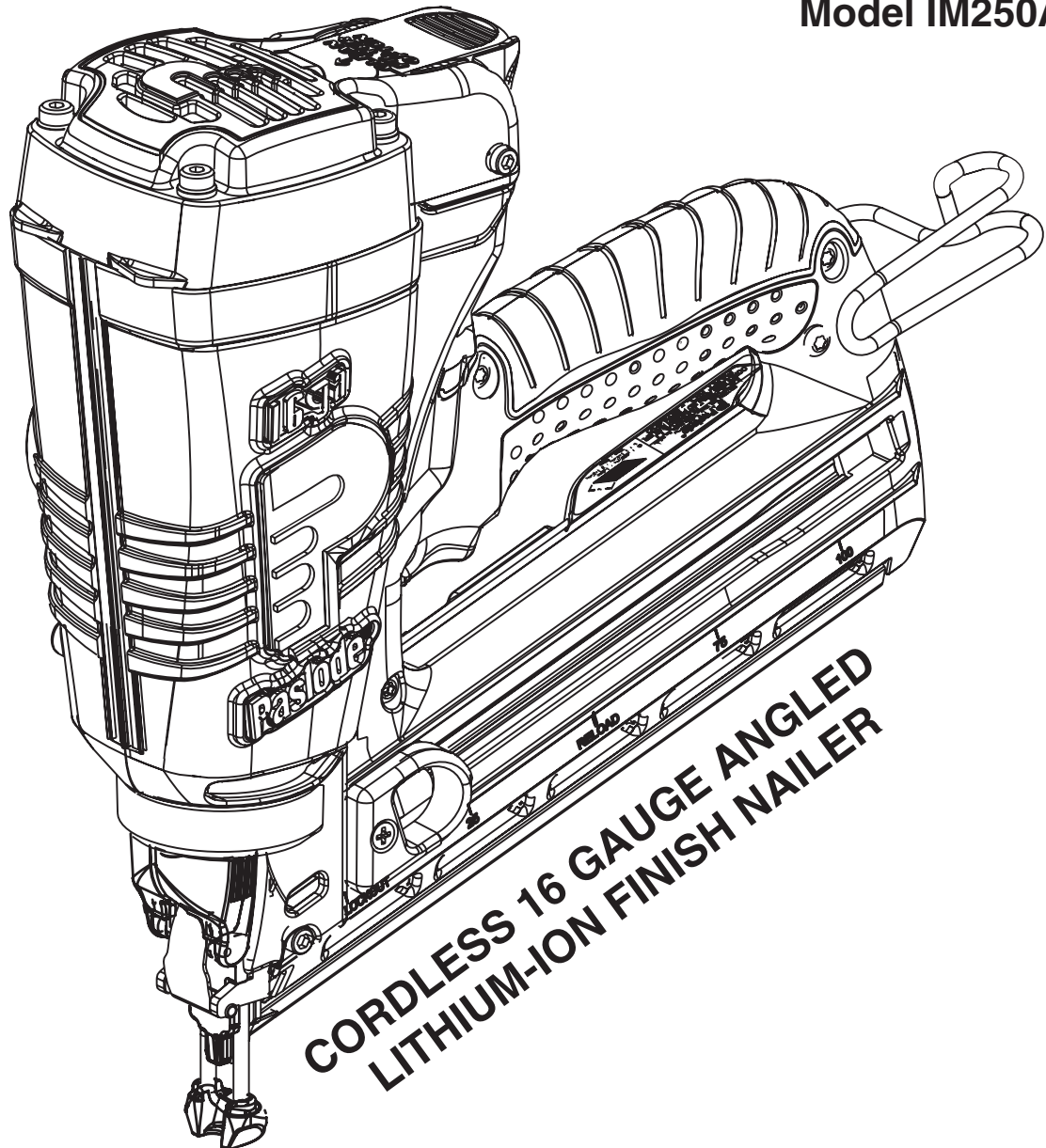




Part No. 902400

Model IM250A Li



**CORDLESS 16 GAUGE ANGLED
LITHIUM-ION FINISH NAILER**

**IMPORTANT!
DO NOT DESTROY**

It is the customer's responsibility to have all operators and service personnel read and understand this manual.

OPERATING MANUAL

Subject	Page
Introduction and Warranty	2
An Overview of the Paslode Cordless 16 Gauge Angled Lithium-ion Finish Nailer	3
Safety Instructions	4
Battery and Charger	7
Fuel Cartridge	9
Preparing the Paslode Cordless 16 Gauge Angled Lithium-ion Finish Nailer for Use.....	12
Paslode Cordless 16 Gauge Angled Lithium-ion Finish Nailer Operation.....	13
Fasteners and Applications	14
Servicing.....	15
Troubleshooting	17

The battery charger system meets all safety requirements for power tools.



 **Paslode**[®] is a trademark
Paslode
An Illinois Tool Works Company
888 Forest Edge Drive
Vernon Hills, Illinois 60061
www.paslode.com

 **Paslode**[®] Power Nailers are made in the U.S.A.

Paslode[®] is a member of:



Introduction and Warranty

Paslode Cordless 16 Gauge Angled Lithium-ion Finish Nailer Operating Manual

This manual is intended to acquaint you with the Paslode Cordless 16 ga. Angled Lithium-ion Finish Nailer. Unlike other power fastening tools, the Cordless Finish Nailer is powered by an internal combustion linear motor. In simpler terms, your Cordless Finish Nailer is powered by a motor similar to the one that powers an automobile. The Cordless Finish Nailer ignites a fuel and air mixture to produce the energy to drive the motor, which in turn drives the fastener. The Cordless Finish Nailer is totally self-contained. It carries its own fuel supply and battery, along with a supply of fasteners.

For ease of use, this manual is divided into sections (see Contents). Each section of the manual is written with you, the tool operator, in mind. We have left out many of the technical terms so that you can easily understand how to get the maximum performance from your Cordless Finish Nailer, and how to avoid damaging the tool or injuring yourself. But, to accomplish this, we need you to do two things:

- 1. READ THE MANUAL FROM COVER TO COVER BEFORE USING THE TOOL.**
- 2. FOLLOW ALL INSTRUCTIONS IN THE MANUAL.**

The Cordless Finish Nailer should be handled like other power fastening tools that you use. Like most tools, when used improperly injury could result. If you are going to allow others to use the Cordless Finish Nailer, it is your responsibility to make sure that they also read and comply with the instructions in this manual before attempting to operate the tool.

Should you have questions about the Cordless Finish Nailer, or wish to obtain additional copies of this manual, please contact your Paslode® representative. The space below is provided so that you may record your representative's name, address, and telephone number.

Name

Address

City

State

Zip

Telephone Number

Paslode Cordless Warranty and Limitations

Paslode warranties that new Cordless power fastening tools, parts and accessories will be free from defects in material and workmanship for the period shown below, after the date of delivery to the original user.

ONE-YEAR LIMITED WARRANTY

A one-year warranty will apply to all parts, except those specifically covered by an extended warranty.

FIVE-YEAR EXTENDED LIMITED WARRANTY

A five-year warranty will apply to all molded nylon parts:

- Motor Housing, Cap and Grille
- Handle Halves and Actuator
- Trigger
- Magazine Parts

WARRANTY STATEMENT

This warranty is limited to tools sold and service requested in the United States. To obtain information on warranty service in the United States, refer to the Service Center listing that was provided with your tool.

Paslode's sole liability hereunder will be to replace any part or accessory which proves to be defective within the specific time period. Any replacement part or accessory provided in accordance with this warranty will carry a warranty for the balance of the period of warranty applicable to the part it replaces. This warranty does not apply to part replacement required due to normal wear.

This warranty is void on any tool which has been subjected to misuse, abuse, accidental or intentional damage, use with fasteners, fuel, batteries, or battery chargers not meeting Paslode specification, size, or quality, improperly maintained, repaired with other than genuine Paslode replacement parts, damaged in transit or handling, or which, in Paslode's opinion, has been altered or repaired in a way that affects or detracts from the performance of the tool.

PASLODE MAKES NO WARRANTY, EXPRESSED OR IMPLIED, RELATING TO MERCHANTABILITY, FITNESS, OR OTHERWISE, EXCEPT AS STATED ABOVE, and Paslode's liability AS STATED ABOVE AND AS ASSUMED ABOVE is in lieu of all other warranties arising out of, or in connection with, the use and performance of the tool, except to the extent otherwise provided by applicable law. PASLODE SHALL IN NO EVENT BE LIABLE FOR ANY DIRECT, INDIRECT, OR CONSEQUENTIAL DAMAGES, INCLUDING, BUT NOT LIMITED TO, DAMAGES WHICH MAY ARISE FROM LOSS OF ANTICIPATED PROFITS OR PRODUCTION,

Overview of the Paslode Cordless 16 Gauge Angled Lithium-ion Finish Nailer

Description

The Paslode Cordless 16 ga. Angled Lithium-ion Finish Nailer is a self-contained, fully portable nailer that uses liquid hydrocarbon fuel to power a unique linear drive internal combustion motor.

In order for you to fully understand the information contained in this manual, you need a basic understanding of the Cordless Finish Nailer. As you can see in the illustration below, the Cordless Finish Nailer is made up of three major areas: handle, motor, and magazine.

As you examine the Cordless Finish Nailer, become familiar with the three major areas and the various components located in each of them.

The **Handle Assembly** contains the fuel cartridge, indicator light, and the trigger.

The **Motor Assembly** contains the cover and filter, the motor housing, the nose, and the work contacting element.

The **Magazine Assembly** contains the components to load and control the fastener and the battery for the Cordless Finish Nailer.

Specifications

Dimensions:	Weight-with battery	4 .6 lbs
	Height	11-1/2 inches
	Length	10-3/4 inches
	Magazine	Angled (use Paslode angled fasteners only.)
Cycle Rate:	Intermittent Operation – 2 to 3 nails per second	

NOTE: Exceeding these cycle rates could cause the tool to overheat, resulting in loss of performance or damage to tool components.

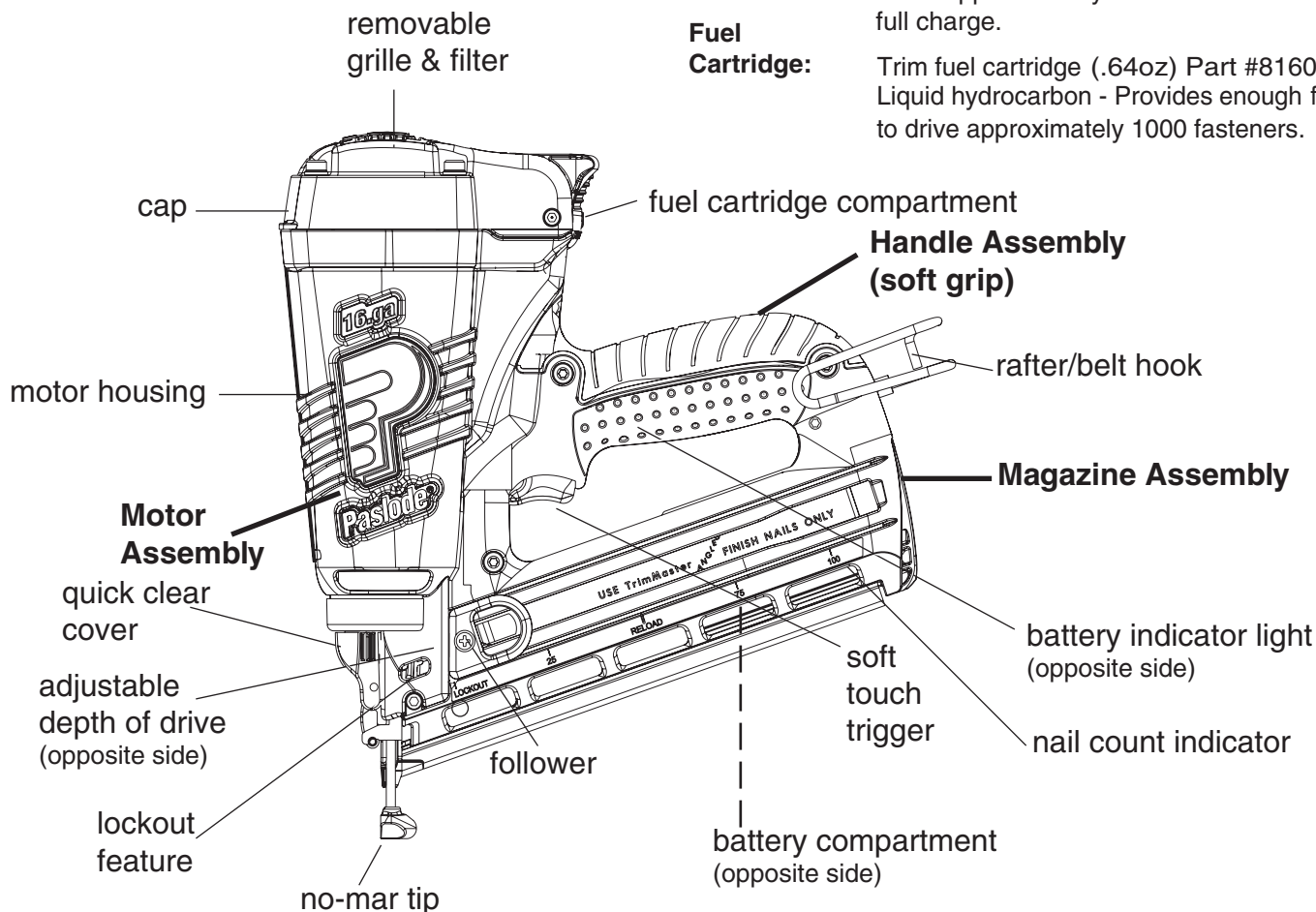
By using the Paslode Cordless 16 ga. Angled Lithium-ion Finish Nailer at its recommended cycle rate, you will be able to drive several thousand nails in a typical workday.

Fasteners: 16 Gauge Angled

Magazine Capacity: 2 nail strips, or 100 fasteners.

Battery : 7.4 volts DC - Provides enough energy to drive approximately 6000 fasteners on a full charge.



Fuel Cartridge: Trim fuel cartridge (.64oz) Part #816007
Liquid hydrocarbon - Provides enough fuel to drive approximately 1000 fasteners.





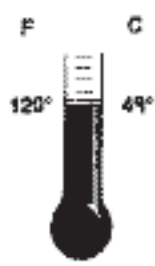

Safety Instructions


The following safety instructions have been included in this booklet to provide you with basic information necessary for safe operation of the Paslode Cordless 16 ga. Angled Lithium-ion Finish Nailer.

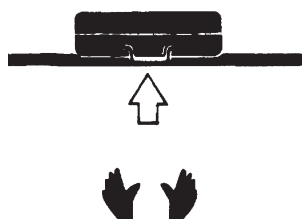

DO NOT ATTEMPT TO OPERATE THIS TOOL UNTIL YOU HAVE READ AND UNDERSTAND ALL SAFETY PRECAUTIONS AND MANUAL INSTRUCTIONS.

	 DANGER
	<p>The Cordless Finish Nailer is an internal combustion device. It produces hot exhaust gases that may ignite flammable materials. This tool must not be used in a combustible environment or in the presence of combustible materials, such as flammable chemicals, adhesives, gasoline, or solvents.</p>

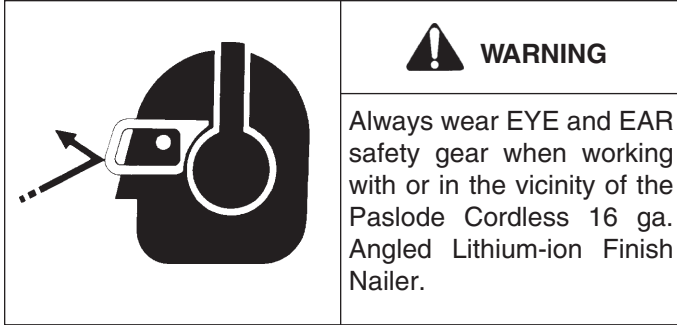
	 WARNING
	<p>Do not attempt to operate this tool until you have read and understood all safety precautions and manual instructions.</p> <p>Failure to follow all safety precautions and instructions may result in a permanent loss of vision, serious personal or even fatal injury, property damage and/or tool damage.</p>

	 WARNING
	<p>Do not expose the tool to temperatures in excess of 120° F (49° C). Fuel and/or the battery may burst, releasing flammable gas.</p>

	 WARNING
	<p>This tool must be operated only in a well-ventilated environment, because the tool exhausts carbon monoxide similar to a gas chainsaw or lawnmower. Exposure to carbon monoxide may cause dizziness, nausea, or unconsciousness.</p>

	 WARNING
	<p>ALWAYS keep the Cordless Finish Nailer, fuel cartridge, battery and battery charger out of the reach of children.</p>

Safety Instructions



1. Eye protection must meet the requirements of ANSI Standard Z87.1 and should have side shields for increased protection.
2. NEVER ASSUME THE TOOL IS EMPTY.
Never point the tool at yourself or anyone else.
3. NEVER ENGAGE IN "HORSEPLAY" WITH THE TOOL.
The Cordless Finish Nailer is not a toy – it is a tool. Careless and improper use may result in a serious accident.
4. NEVER CARRY THE TOOL WITH YOUR FINGER ON, OR SQUEEZING, THE TRIGGER.
This practice may result in the accidental discharge of a fastener.
5. NEVER OPERATE A MALFUNCTIONING TOOL.
Refer to the servicing or troubleshooting section of this manual to correct the problem. If the problem cannot be corrected, stop using the tool and report it to your supervisor or Paslode® representative.
6. DO NOT LOAD FASTENERS WITH THE TRIGGER AND/OR WORK CONTACTING ELEMENT PRESSED IN.
A fastener may be accidentally discharged.

7. NEVER OPERATE THE TOOL WITH THE WORK CONTACTING ELEMENT REMOVED OR DISABLED.

This device helps reduce the possibility of accidental fastener discharge by preventing the tool from operating until it is completely against the work surface.

NEVER operate the tool if the work contacting element is not working properly.

8. ALWAYS POINT THE TOOL AWAY FROM YOURSELF AND OTHERS WHEN CLEARING A JAM OR REMOVING FASTENERS.

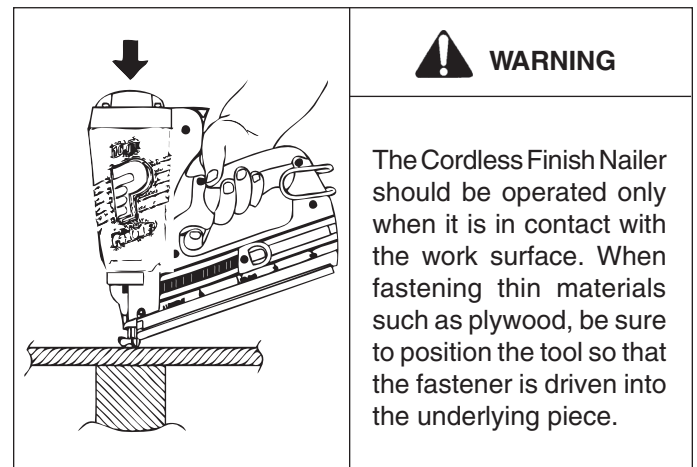
Pull the follower slightly back and push the release lever. Tip the tool nose up slightly and fasteners should slide out of the rear of the magazine. If fasteners are jammed, refer to the appropriate servicing section of this manual.

9. NEVER OPERATE THE CORDLESS FINISH NAILER IF PARTS ARE LOOSE, DAMAGED OR MISSING.

10. DO NOT DRIVE FASTENERS INTO KNOTS OR ON TOP OF OTHER FASTENERS.

A fastener may ricochet and cause serious injury.

11. OPERATE THE TOOL ONLY ON THE WORKPIECE.





Safety Instructions



12. NEVER DRIVE FASTENERS INTO AREAS WITH CONCEALED HAZARDS.

Always check the area behind the work surface for electrical wiring, gas pipes, water pipes, sewer drains or other potential hazards.

13. ALWAYS MAINTAIN SECURE AND UNOBSTRUCTED FOOTING WHEN ON LADDERS, PLATFORMS OR OTHER HIGH LOCATIONS.

	 WARNING
	<p>Never over-reach, since tool recoil may cause a loss of balance. Always be aware of edges and drop-offs when nailing on rooftops and other high locations. Keep them in full view.</p>

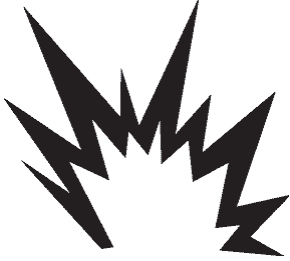

14. ALLOW ONLY QUALIFIED PERSONNEL TO OPERATE THE CORDLESS FINISH NAILER.

	 WARNING
	<p>Only persons who have read and fully understand all tool operation, safety and maintenance instructions should be allowed to operate the tool.</p>

Battery Disposal:

The Paslode batteries contain lithium and should be recycled or disposed of properly. It is illegal in some areas to place a lithium battery into the trash or solid waste stream. You may contact your local recycling center for information on where to return the spent battery or call 1-800-822-8837 for information on battery recycling in your area.

15. PROPERLY STORE FUEL CELL.

	 WARNING
	<p>Always store fuel cartridges where they will not be exposed to an open flame, sparks or temperatures above 120° F (49° C).</p>



16. ALWAYS STORE THE TOOL WITH THE FUEL CARTRIDGE AND BATTERY REMOVED.

Store the fuel cartridge in the case with the cordless finish nailer

17. KEEP THE TOOL CLEAN.



A clean tool is less likely to jam or malfunction.

18. KEEP YOUR HANDS CLEAR OF THE WORK AREA SURFACE.

	 WARNING
	<p>A fastener may exit at an angle unexpectedly and cause injury.</p>

CHARGING SYSTEM SAFETY INSTRUCTIONS!

**IMPORTANT SAFETY INSTRUCTIONS!
SAVE THESE INSTRUCTIONS!**



 DANGER 
<p>TO REDUCE THE RISK OF FIRE OR ELECTRIC SHOCK, CAREFULLY FOLLOW THESE INSTRUCTIONS</p>

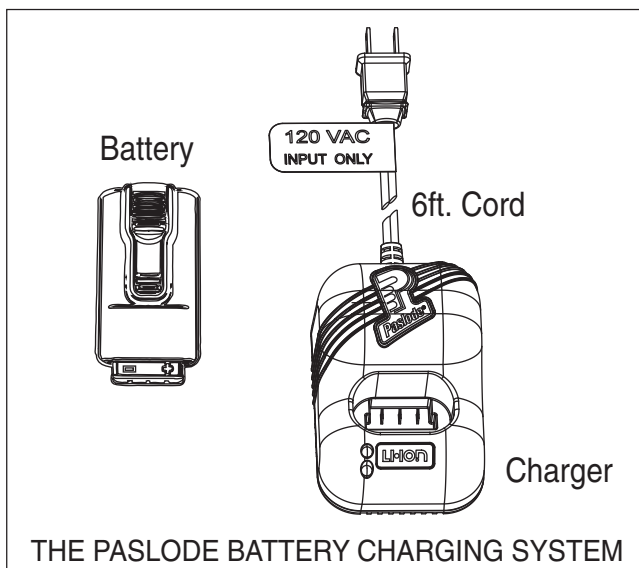
For connection to a supply outside North America, use an attachment plug adapter of the proper configuration for the power outlet, if needed.

Battery and Charging System

The Paslode Cordless 16 Gauge Angled Lithium-ion Finish Nailer comes with a rechargeable battery and its own charging system. This charging system is the **only one that will work with the Paslode lithium-ion batteries**. The first step in preparing a new tool for operation is to fully charge the battery. **New batteries are shipped partially discharged and must be charged prior to first use.** Batteries will take 5 minutes to 1 hour (time will be dependant on the amount of discharge of the battery) to recharge.

Important Charging Notes

	 Warning
	<p>CHEMICAL/EXPLOSION HAZARD Read ALL instructions before charging or using battery. Failure to follow ALL instructions may result in fire, severe burns, or release of toxic materials.</p>



Charging System Accessories:

Battery Charger - Part No. 902672

Charging Instructions

1. Remove the charger unit from the tool case and plug it into a 120V AC outlet. Set the charger base on a stable surface. A green light will come on to indicate the power is on and the charger circuit is ready.
2. Remove the battery from tool or case and insert terminals down into charger. The red light will come on indicating that the battery is charging and the green light will go out.

Note

If battery is completely discharged, the red light and the green light may alternate back and forth for up to 20 minutes. This safety feature slowly recharges the battery until it is ready to accept the full charging current. If the red and green lights continue to alternate after 20 minutes, replace the battery.

3. After charging is complete, the red light will go out and the green light will come on, indicating that the battery is fully charged. The charger will keep the battery at full charge until it is removed.
4. Unplug the charger from the 120V AC outlet.

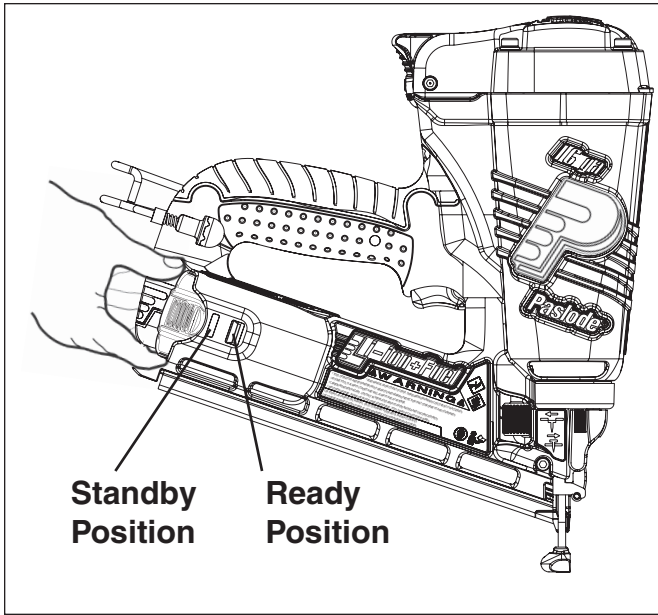
CHARGING TIMES:

First charge (new battery)	1 hour
Discharged Battery	5 minutes to 1 hour

CHARGING DON'TS:

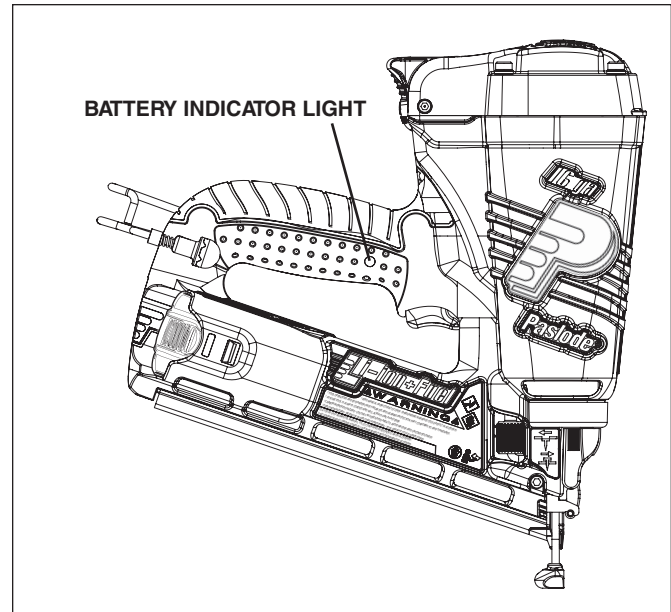
1. Do not charge battery outdoors or in temperatures below 40°F (5°C).
2. Do not allow metal objects to come in contact with battery terminals.
3. Do not puncture or attempt to open battery case or cells.
4. Do not store battery where it will be subjected to temperatures above 120°F (49°C).
5. Do not incinerate battery.
6. Do not use a defective battery charger, one that over-heats and/or smokes when plugged in.
7. Do not immerse the battery or charger in water.

Battery and Charging System



Battery Indicator Light

On the right side of the handle is a small plastic lens. This is the battery indicator light. When you insert a fully-charged battery into the tool, you will see a blinking green light. If the indicator light blinks red, recharge the battery.




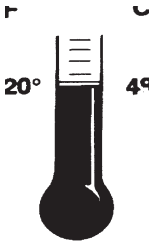



Inserting Battery

1. Load the battery, contacts first, into the Cordless Finish Nailer.
2. Push battery fully forward into its locked **Ready** position. The battery indicator light will light.
3. To disengage the battery, push down on locking tab and slide battery back until it locks into the **Standby** position.
4. To remove battery, push down on locking tab and slide battery out.

NOTE: If battery is left in tool for an extended period, the battery will discharge completely and will require recharging.

Fuel Cartridge

	 DANGER
	EXPLOSION/FIRE HAZARD Read ALL safety instructions before using or handling the fuel cartridge. Failure to follow ALL instructions may result in explosion or fire. This may cause severe personal injuries or property damage.
	 Keep the fuel cartridge away from heat, sparks and open flame.
	Exposure to temperatures above 120°F (49°C) may cause the fuel cartridge to burst, releasing flammable gas.

 WARNING
Sunlight can raise the inside temperature of an unventilated car or van to above 140°F (60°C).
Never puncture or attempt to open the fuel cartridge; it is non-refillable.
Never incinerate, reclaim or recycle the fuel cartridge.
Never smoke while installing the fuel cartridge.
Never inhale the spray.
Keep out of the reach of children.
Store fuel cartridge(s) in well-ventilated areas only.

There is a second container inside the fuel cartridge. The inner container holds the fuel. The space between the inner container and the outer cylinder is filled with a gas, called the propellant, which is under pressure.

To eject the fuel, propellant pressure squeezes the inner fuel container, much as you squeeze a tube of toothpaste. This squeezing action ensures that all the fuel is used, and that the Cordless Finish Nailer can operate in any position.

Because of this container-within-a-container design, you might hear the sound of fluid when shaking the fuel cell after all the fuel has been used. This is the propellant, which remains between the containers even after all the fuel has been expelled.

If you expose the empty fuel cartridge to extreme temperatures, the propellant gas will expand and could cause the container to burst, releasing flammable gases.

NOTE

1. When replacing fuel cartridge also clean or replace the air filter for optimum tool operation.


NOTE: Altitude Restriction

Paslode Cordless technology is powered by an internal combustion engine and are effected by altitude. The tool may lose power or become erratic at elevations of 6000 feet or greater.

Fuel Cartridge

NOTE:

Paslode Cordless fuel cartridges are marked with a “Best Use Before” date on the bottom of the can. For maximum performance use fuel before the “Best Use Before” date.

 DANGER
Paslode Cordless Fuel Cartridges are flammable. Do not remove fuel cartridge cap or install on other fuel cartridges!

Paslode Cordless Fuel Cell/Cartridge Disposal Guidelines

Paslode the industry leader in cordless technology provides this information to assist users with the proper disposal of discarded fuel cells/cartridges. Acceptable disposal options vary depending on the type of fuel cell/cartridge users. All users must consider federal, state and local solid waste regulations to ensure that discarded fuel cells/cartridges are disposed of properly. Users must contact their local solid waste authority for further guidance.

Discarded fuel cells/cartridges (used or unused) may be considered hazardous waste under the Resource Conservation and Recovery Act (RCRA) depending on several factors as described in the paragraphs that follow. Upon disposal used and unused fuel cells/cartridges may be classified as ignitable hazardous waste (waste code D001) under U.S. EPA regulations.

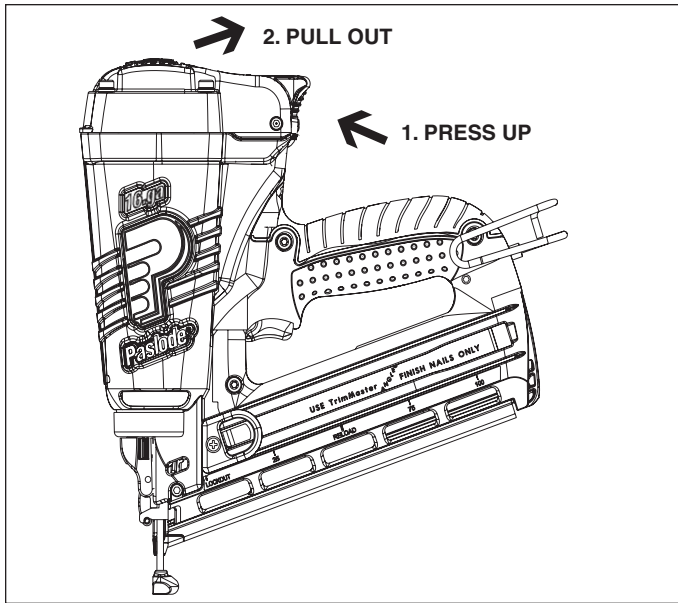
Hazardous waste generated by homeowners and contractors who perform routine maintenance for homeowners in their homes are not regulated by RCRA. In general, "household wastes" generated by homeowners and their contractors are exempt from hazardous waste regulation because those wastes are expressly excluded from the definition of hazardous waste. For example US EPA has excluded as "household waste" aerosol cans that contain residual product and propellant. Thus under federal hazardous waste regulations homeowners and contractors may dispose of discarded fuel cells/cartridges as general refuse in a properly permitted municipal landfill. These users must still contact their local solid waste authority to determine if any state or local regulation prohibits or restricts such disposal.

Paslode takes no responsibility for proper fuel cell/cartridge disposal. Proper disposal remains the responsibility of sellers and users. All sellers and users must contact their local solid waste authority to determine if any federal, state or local regulation prohibits or restricts disposal. Users may obtain more information about U.S. EPA hazardous waste regulations at the following internet address: www.epa.gov/epaoswee.osw/hazwaste.htm

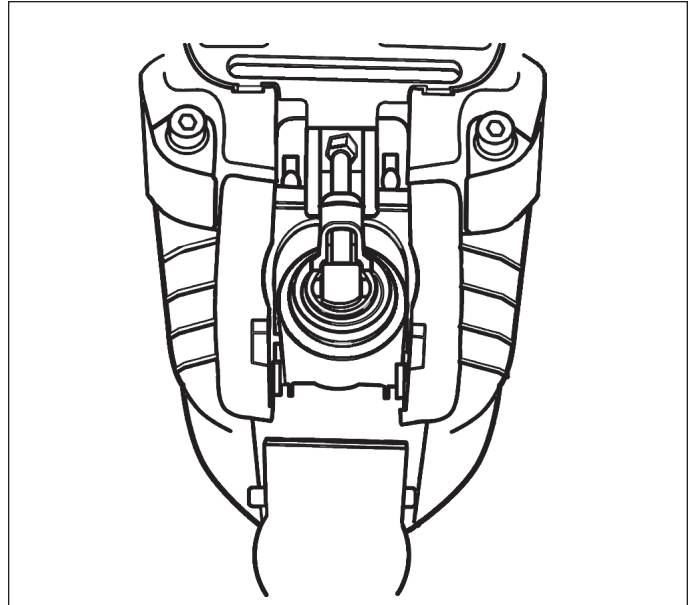
Alternatively users may contact U.S. EPA's RCRA Superfund Call Center at 1-800-424-9346 to receive more information.

Inserting Fuel Cartridge

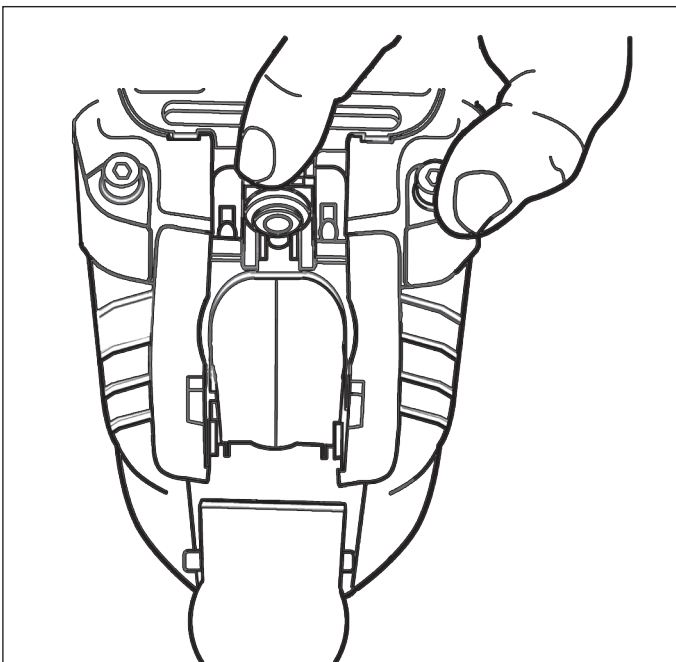
A. When loading a fuel cartridge, lift the tool off of the work surface so the work contact element (WCE) is not depressed. Press forward at the back of the actuator cover and pivot outward to open. The cover will swing out of the way.



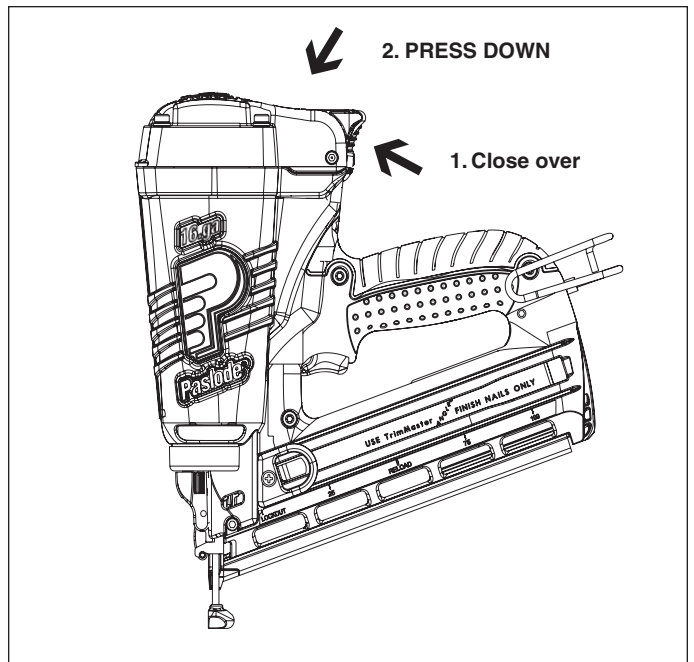
C. Release the adaptor so it is centered on the fuel cartridge.



B. Lift the fuel cartridge adaptor and insert the fuel cartridge into the tool.



D. Close the actuator cover over the fuel valve/cylinder assembly and push forward and down until the actuator cover snaps into position to complete the loading of fuel in the Cordless Finish Nailer.



Preparing the Paslode Cordless 16 Gauge Angled Lithium-ion Finish Nailer for Use

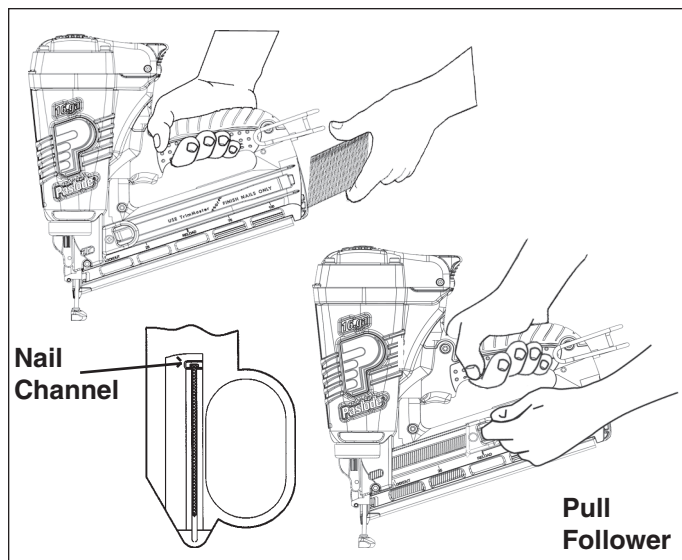
Fasteners

The Paslode Cordless 16 ga. Angled Lithium-ion Finish Nailer drives Paslode® 16 gauge angled fasteners designed to be used with the tool. The use of fasteners that do not meet Paslode standards could cause tool damage and will void all warranty claims.

Loading Fasteners

STEP 1: Align the heads of the Paslode 16 ga. Angled Finish nails to the silver brad channel in the rear of the magazine and insert one or two strips. Push the nails strips forward.

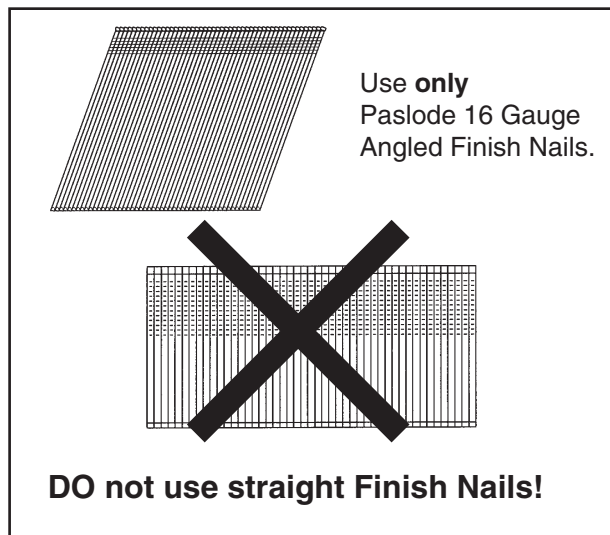
STEP 2: Next, while applying pressure to the release lever, pull the follower toward the rear of the magazine until the follower passes the last strip of fasteners. Release the lever on the follower and let the follower push the nails forward into the nose of the tool.



In the illustration above, you will see an indicator arrow on the side of the follower. When the indicator arrow is in the reload area, marked on the side of the magazine, you may insert a new strip of nails. When the follower arrow reaches the lockout area the tool automatically locks the tool to prevent the tool from operating. To unlock the tool, simply reload another strip of nails.

Lockout Feature

The purpose of this feature is to prevent needless blank cycling, which could mar woods, waste fuel and damage tool components. Ten (10) nails will be left in the magazine when the follower reaches the lockout area. When changing fastener length or loading at the beginning of the work day, you should inspect the magazine and nose for any fasteners left in the tool. These nails will not be visible unless you open the nose of the tool.



Paslode Cordless 16 ga. Angled Lithium-ion Finish Nailer and Outdoor Weather

Use the Cordless Finish Nailer outdoors, in dry weather, when the nailer, fuel cartridge and battery are between 45°F (7.2°C) and 120°F (49°C).

HOT WEATHER OPERATION

The Cordless Finish Nailer requires cooling of the motor assembly to operate properly. The fan normally provides the necessary air flow to permit continuous operation. Whenever the Cordless Finish Nailer is idle for extended periods, keep the fuel and tool out of direct sunlight and in surroundings where temperatures will not exceed 120°F (49°C). After extended periods of continuous use, it may be necessary to cool the motor by setting tool aside for 10-15 minutes or until the tool operates normally. An overheated tool may not drive nails completely or may operate erratically.

COLD WEATHER OPERATION

When storing the Cordless Finish Nailer in temperatures below 45°F (7.2°C) it may be necessary to first warm up the fuel and tool for proper operation.

Fuel cartridges at colder temperatures can lose their required propellant pressure. To correct this simply warm up the fuel cartridge by placing it in an inside coat pocket for several minutes.

Once the fuel is warm, insert the cartridge into the tool. Quickly depress the tool two times onto the work surface and hold the tool in the down position after the second actuation. Wait one or two seconds then pull the trigger. This action is referred to as "double pumping" and provides a richer fuel mixture to the cold tool to help initiate combustion.

Paslode Cordless 16 ga. Angled Lithium-ion Finish Nailer Operation

Cold Weather Operation: (Continued)

It will be necessary to repeat this procedure several times until the temperature of the tool warms up enough to operate in its normal mode.

Once the tool reaches operational temperature the tool will generate its own heat and will function normally.

If the tool sits for an extended period of time and cools down it may be necessary to repeat these steps.

CAUTION

During the warm-up process, never expose the tool, fuel cartridge, or battery to flame.

CAUTION

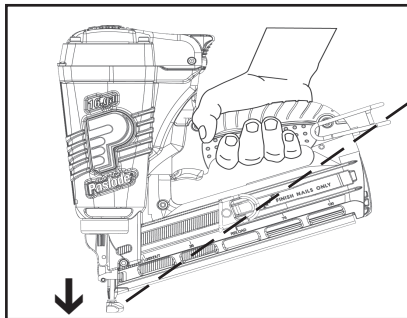
The Cordless Finish Nailer should not be used in the rain or where excessive moisture is present. The use of the Paslode® Cordless Technology under these conditions may result in damage to tool components and cause the tool to malfunction.

DANGER

The work contacting element and nose will become hot after prolonged or rapid use. If it becomes necessary to adjust the work contacting element, avoid touching with bare hands.

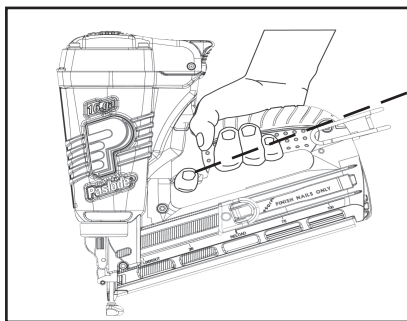
CAUTION

This tool must be operated in a well ventilated environment, because the tool exhausts carbon monoxide similar to a chainsaw or lawn mower. Exposure to carbon monoxide may cause dizziness, nausea or unconsciousness.

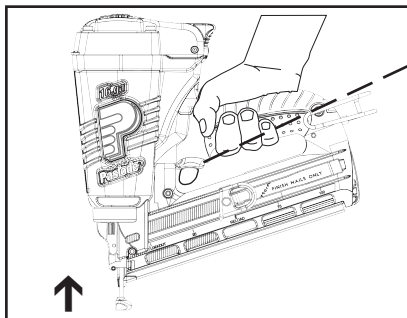


PRESS WORK – CONTACTING ELEMENT AGAINST THE WORK SURFACE.

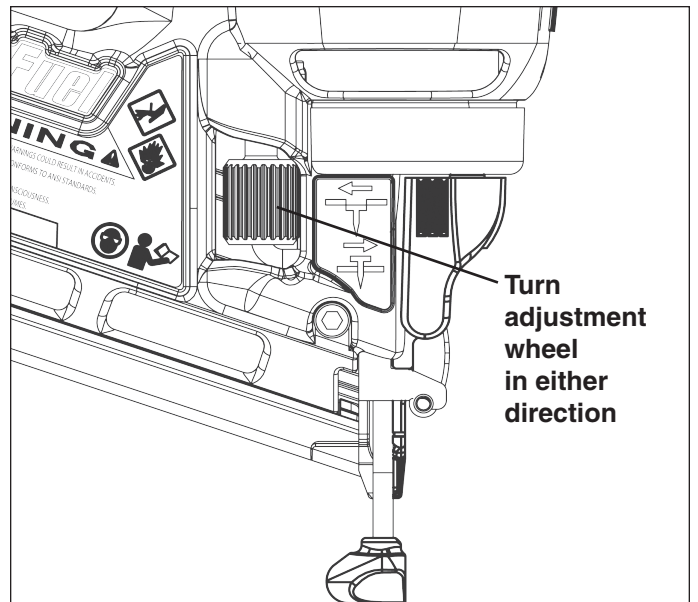
Fan motor starts, fuel is injected into combustion chamber and mixed with air by the fan.



SQUEEZE TRIGGER
Spark plug ignites the fuel/air mixture driving the piston assembly down on the fastener.



RELEASE TRIGGER - LIFT TOOL
Combustion chamber opens. Fan exhausts hot gases and cools internal components.



Depth of Drive Adjustment

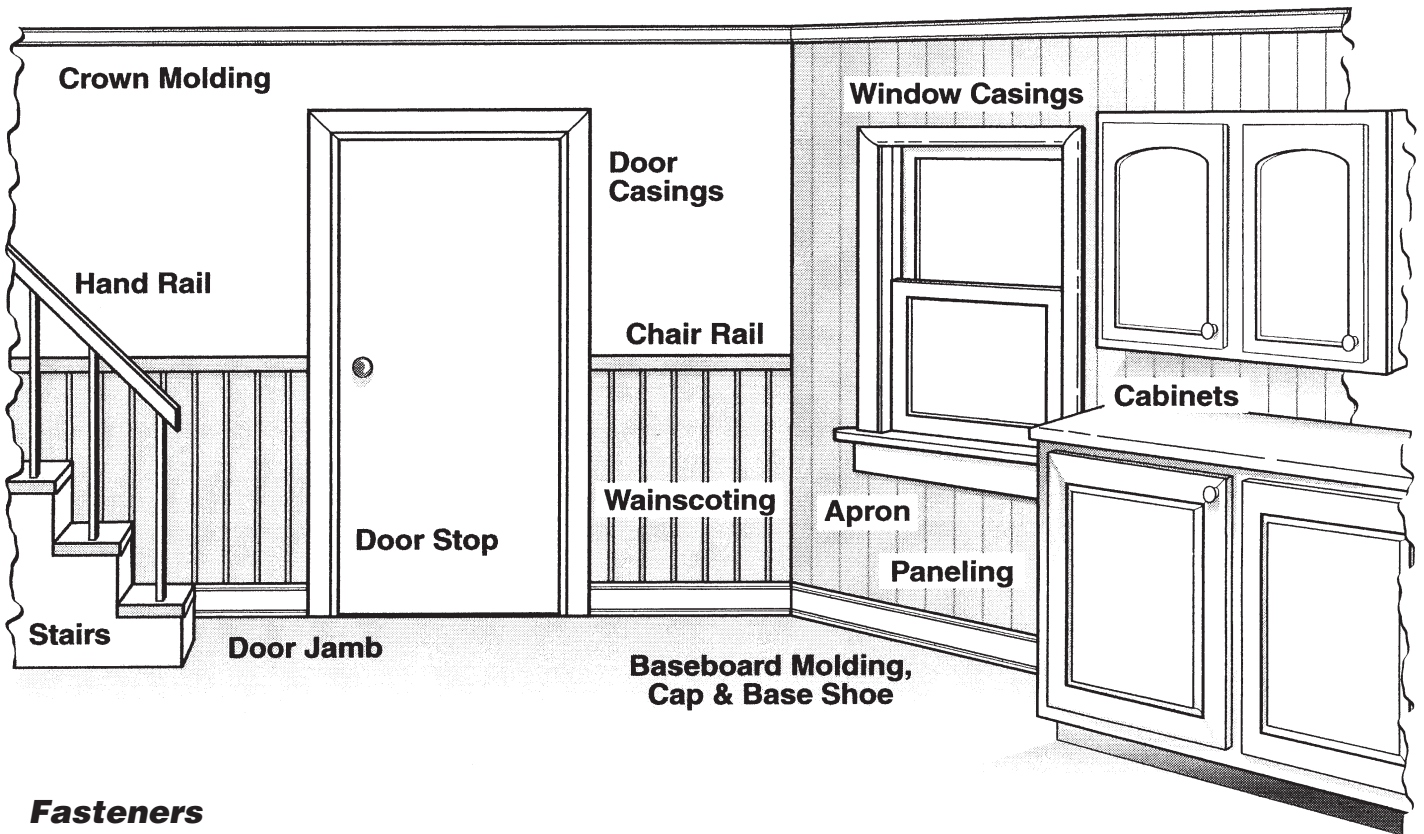
Remove the battery before adjusting the depth of drive.

The depth of drive adjustment is done by turning the adjustment wheel as shown by the arrows on the side of the tool.

Fasteners and Applications


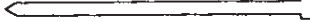



Applications

The Paslode Cordless 16 ga. Angled Finish Nailer is suited for a variety of applications. These include securing door and window casings; attaching baseboards where walls meet floors; attaching moldings where walls meet ceilings; securing paneling; securing chair rails, picture molding and other decorative trim.



Fasteners

The Paslode Cordless 16 ga. Angled Finish Nailer drives Paslode 16 Gauge Angled Finish Nails. Fasteners are collated into strips of 50 for easy loading. Paslode fasteners are designed to be used in Paslode tools, use of other fasteners may cause damage to the tool or injury to the tool operator.

THE PASLODE CORDLESS 16 ga. ANGLED FINISH NAILER DRIVES THESE NAILS	PART NO.	LENGTH	APPLICATION
	650044	1- 1/4"	Cap/Shoe Molding
	650045	1-1/2"	Baseboard, Crown, Chair
	650046	1-3/4"	Baseboard, Crown, Chair
	650047	2"	Baseboard, Casings, Crown
	650049	2-1/2"	Casings

Restrict Field Service to the Following

- CHECKING THE ENERGY LEVEL OF THE BATTERY
- RECHARGING THE BATTERY
- CHECKING THE FUEL CARTRIDGE
- REPLACING THE FUEL CARTRIDGE
- CLEANING/REPLACING THE AIR FILTER
- CLEARING A JAM
- CLEANING THE TOOL (See cleaning manual)

Attempts to go beyond these procedures could result in serious personal injury or damage to the Cordless Finish Nailer and voiding the warranty.

There are certain problems you may encounter when you are using the Cordless Finish Nailer that you will be able to correct on the work site. The following field service procedures are the only service procedures you should attempt. Anything else that may appear wrong with the Cordless Finish Nailer should only be diagnosed and repaired by a fully trained service technician. If you have any reason to believe that your problem is beyond the service procedures in this manual, contact your Paslode® representative immediately.



DANGER

Never attempt any maintenance of a Paslode Cordless tool without first removing the fuel cell and battery. Maintenance should be started only after the tool is **completely** inoperative.

Battery Check

Periodically check on the battery indicator light (the light in the handle) of the Cordless Finish Nailer. When encountering a problem, the first step should always be to make sure the battery has enough charge to operate the tool.

When the work contacting element is depressed on work piece, the fan motor will turn on and the blinking green indicator light will turn solid green. If the indicator light blinks red or glows red, recharge the battery.

Fuel Cartridge Check

If the Cordless Finish Nailer's fan operates and the indicator light is green, but the tool will not cycle or does not drive fasteners completely, check the fuel cartridge. With the fuel cartridge out of the tool, check to see if the cartridge still contains fuel and that the metering valve is working. To determine if there is any fuel left in the fuel cartridge, hold in the upright position and simply place the metering stem against a solid object, and gently push about three or four times. A small amount of fuel should be released each time.



DANGER

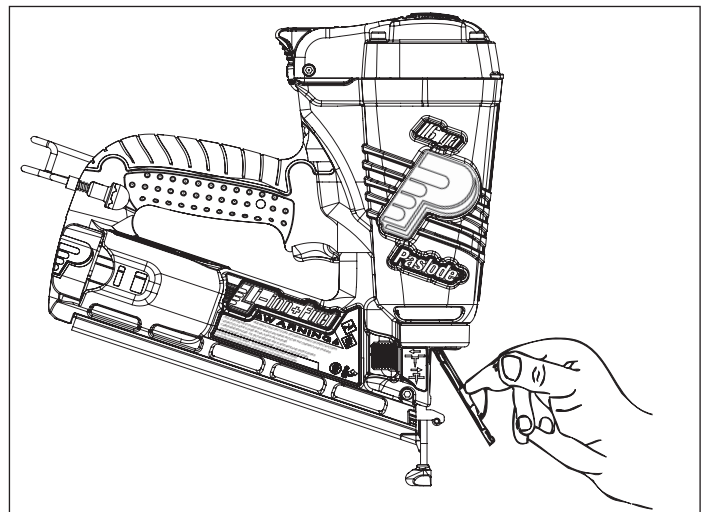
Wear safety glasses when performing this test. Never perform this test near an open flame or sparks, while smoking, or where the fuel may get into your eyes.

If fuel is not released with each operation of the metering valve, this indicates that there is no more fuel left in the cylinder and it must be replaced. Dispose of the empty fuel cartridge. (see page 10.)

Clearing a Jam

An occasional problem you may encounter is a jammed fastener. Because of the unique design of the Cordless Finish Nailer, clearing a jammed fastener is easy:

1. Remove the battery.
2. Pull the latch, releasing front guide. Pivot front guide forward.
3. Clear jam, and push driver blade back up to its normal position.
4. Close front guide and latch it. Check that the work contacting element moves freely.

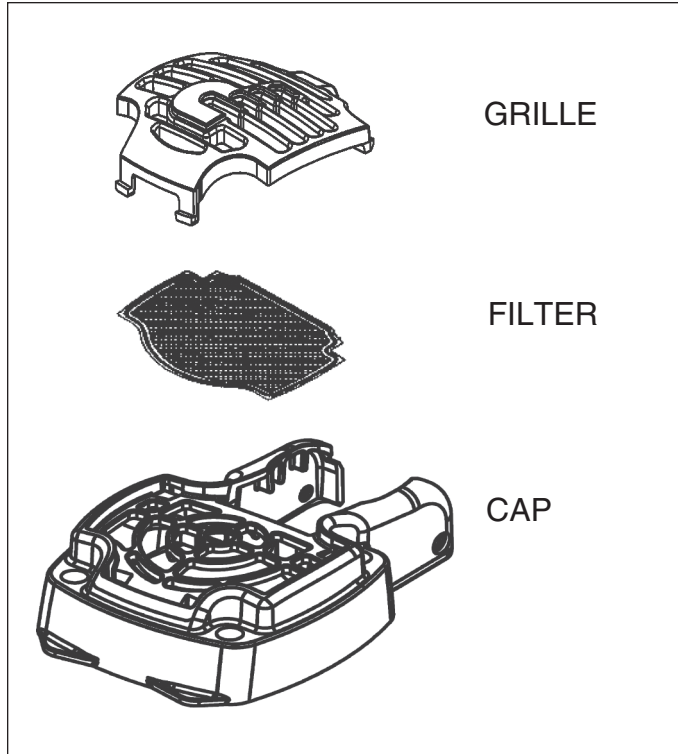


Servicing

Air Filter

Open the grille by pressing slightly above the adapter and pivoting the cover open. The air filter simply lifts out.

Tap the filter GENTLY to remove any dust. Check and clean the air filter every two days. Soap and water restores the filter to a "like new" condition.



When you get home:

1. Place the battery in its charger if it needs charging as indicated by the red charge light on the handle.
2. Wipe your Cordless Finish Nailer with a clean, soft cloth.
3. Remove and clean the filter every two days.
4. Check work contacting element to ensure it is operating freely.

Paslode Cordless Tool Accessories

A variety of accessories are available for the Paslode Cordless 16 Gauge Angled Lithium-ion Finish Nailer:

No-Mar Replacement Tip - Part No. 902425

Battery - Part No. 902650

Tool Cleaner - Part No. 219348

Clear Safety Glasses - Part No. 401382

Paslode Cordless Lubricating Oil - Part No. 401482

Battery Charger - Part No. 902672

Paslode Cordless Finish Nailer Case - Part No. 902445

End-of-Workday Routine

These simple steps are based on maintaining the safety and operational efficiency of the Cordless Finish Nailer.

Before you leave the work site:

1. Remove battery and store in tool case. Always use the Cordless Finish Nailer case for transporting and storing the tool.
2. Dispose of all empty fuel cartridges. Remember to dispose of these fuel cartridges where they will not be crushed, punctured, burned or found by children.

Contact your Paslode® representative for additional information.

Tools

A 9/64 Hex Wrench (Part No. 900736) is provided with each Cordless 16 Gauge Angled Lithium-ion Finish Nailer.

Preparing Tool for Operation - Battery/Charger Problems

SYMPTOM	POSSIBLE PROBLEMS	SERVICE
Battery does not appear to accept charge when battery is plugged into the charger.	Inoperative indicator lights on charger, or defective charger.	Try battery in tool after a full charge cycle. If tools indicator light is red, charger not working properly. Replace charger, or monitor charging time to ensure battery has adequate time for recharging. It is normal for battery to feel warm after properly charging.
	Battery damaged or cycle life exhausted.	Replace battery.
Charger gets hot, makes excessively loud noise, or smokes during charging cycle. Charger cord or wall plug gets hot.	Damaged charger.	Discontinue use immediately and unplug from power source. Replace charger and tag or dispose of charger to prevent accidental re-use or connection to power source.

Normal Stage of Operation

SYMPTOM	POSSIBLE PROBLEMS	SERVICE
Fan does not run - tool indicator light is blinking red or solid red.	Battery is not charged.	Charge battery.
	Battery terminals are oily, dirty, or corroded.	Clean battery terminals with soft cloth.
Fan does not run, or runs slower than normal - tool indicator light is solid red.	Battery is discharged.	Charge battery.
Work-contacting element does not depress fully - tool does not operate.	Work-contacting element is bent, or build-up of debris in track restricts operation.	Remove and inspect lower probe. Clean track. Repair or replace lower probe as required.
	Lockout feature is engaged.	Add strip of nails.
Tool will not cycle - fan runs, indicator light is solid green.	Fuel Cell empty.	Replace fuel cell.
	Spark wire out of spark plug.	Remove cap and check spark lead, insert in spark plug and replace cover.
	Spark plug is dirty.	Clean tool cylinder head.
	No spark is generated.	Return tool to authorized Paslode® dealer for service.

Troubleshooting

Normal Stage of Operation

SYMPTOM	POSSIBLE PROBLEMS	SERVICE
Tool operates properly, but fasteners do not drive fully.	Work-contacting element requires adjustment.	Adjust work contacting element.
	Fuel cell is low.	Check fuel cell and replace as required.
	There may be loss of seal in combustion chamber.	Press work contacting element against workpiece for one minute. Pull trigger. If fastener does not drive, there is a leak that requires service.
Tool operates properly, but fasteners are sometimes over-driven, and sometimes under-driven.	Work-contacting element is not adjusted properly for the type of material being fastened.	Adjust work-contacting element. Readjust as required when material density or thickness of material being fastened changes.
Tool operates, but no fastener is driven.	Wrong fasteners being used.	Use only fasteners meeting Paslode® specifications. Check Fasteners and Applications section for fastener types and sizes recommended for use in Paslode Cordless tool.
	Follower not properly engaged behind fastener strip.	Position follower behind fastener strip and engage strip.
	Jammed fastener.	Clear jam.
Tool operates erratically or appears to be losing power - tool indicator light is green.	Fuel cell is low.	Check fuel cell.
	Spark plug wire is loose.	Check spark plug wire.
	Air filter is dirty, causing tool to overheat.	Remove air filter and clean. Use soap and water to remove stubborn debris.
	Tool is dirty.	Clean tool.
Tool operated and drove fasteners, but driver blade did not return to up position.	Built-up dirt and debris on driver blade or in nose bore.	Clean driver blade and nose bore with degreaser cleaner.
	Tool is dirty.	Clean tool.
Combustion chamber does not drop after tool cycles.	Work-contacting element is bent, or is dirty.	Clean track or replace work-contacting element.

If tool will not operate after following the above service directions, return the tool to an authorized Paslode® representative for service.

For Technical support call 1-800-222-6990 or visit our web site at www.paslode.com..
To purchase parts, visit our website at www.itwconstructionparts.com.

Detección y corrección de fallas

Durante el funcionamiento normal

SERVICIO	POSIBLES PROBLEMAS	SÍNTOMA
Ajuste el elemento de contacto.	Es necesario ajustar el elemento de contacto.	La herramienta funciona correctamente, pero los clavos no penetran por completo.
Revise el cartucho de gas y cámbielo si es necesario.	El nivel de combustible cartucho de gas está bajo.	La herramienta funciona correctamente, pero los clavos a veces penetran demasiado y a veces no penetran lo suficiente.
Presione el elemento de contacto contra la pieza de trabajo durante un minuto. Oprima el gatillo. Si el clavo no sale, hay una fuga que debe ser reparada.	Puede haber fugas en la cámara de combustión.	La herramienta funciona pero no dispara los clavos.
Ajuste el elemento de contacto. Vuelva a ajustar según sea necesario cuando cambie la densidad o el espesor del material que está siendo clavado.	El elemento de contacto no está bien ajustado al tipo de material que está siendo clavado.	La herramienta funciona pero no dispara los clavos.
Use sólo clavos que cumplan con las especificaciones de Paslode. Revise la sección de Sujetadores y aplicaciones para ver los tipos y tamaños recomendados en esta clavadora Paslode Cordless	Esta usando clavos incorrectos.	La herramienta funciona pero no dispara los clavos.
Coloque el transportador detrás de la tira de clavos y sujételo.	El transportador no está bien ajustado detrás de la tira de clavos.	La clavadora tiene clavos atorados.
Saque los clavos atorados.	La clavadora tiene clavos atorados.	El nivel de combustible cartucho de gas está bajo.
Revise el cartucho de gas.	El nivel de combustible cartucho de gas está bajo.	El cable de la bujía está suelto.
Revise el cable de la bujía.	El cable de la bujía está suelto.	La herramienta funciona erráticamente o parece perder potencia - la luz indicadora de la clavadora está verde.
Quite el filtro y límpielo. Use agua y jabón para limpiar la suciedad difícil de quitar.	El filtro está sucio, y hace que se sobrecaliente la clavadora.	La clavadora funcionó y clavó el clavo, pero la hoja del impulsor no volvió a la posición superior.
Limpie la herramienta.	La camisa de la herramienta o los anillos en "O" están sucios.	La cámara de combustión no baja después de que funciona la herramienta.
Limpie la hoja del impulsor y el orificio de la punta con un limpiador desengrasante.	Se ha acumulado suciedad en la hoja del impulsor o en el orificio de la punta de la clavadora.	La clavadora funcionó y clavó el clavo, pero la sección interior de la clavadora está sucia o deshabilitada.
Envíe la clavadora a su proveedor Paslode para que reciba servicio.	La clavadora o los anillos O están sucios.	El elemento de contacto está doblado o el carril está sucio.
Limpie la clavadora.	Limpie el carril o cambie el elemento de contacto.	

Si la herramienta no funciona después de seguir las instrucciones de servicio, devuelva la herramienta a su representante Paslode® para que reciba servicio.

Para llamada técnica de apoyo 1-800-222-6990, o visita nuestro sitio web en www.paslode.com. Para comprar las partes, visite nuestro sitio del web en www.itwconstructionparts.com.



Detección y corrección de fallas

Preparación de la clavadora antes de usarla - Problemas con la batería o con el cargador

SÍNTOMA	POSIBLES PROBLEMAS	SERVICIO
La batería no parece aceptar la carga cuando el cargador se conecta a la batería o cuando la batería está conectada en el cargador de 3 horas. Las luces indicadoras en el cargador no funcionan, o el cargador está defectuoso.	La batería está dañada o se ha terminado su ciclo de vida.	Pruebe la batería en la herramienta después de un ciclo de carga. Si la luz indicadora de la clavadora está verde, el cargador no está funcionando debidamente. Cambie el cargador o regule el tiempo de carga para asegurarse de que la batería tenga el tiempo adecuado para recargarse. Es normal que la batería se sienta tibia después de haberla cargado correctamente. Obtenga una batería nueva.
El cargador se calienta, hace demasiado ruido o produce humo durante el ciclo de carga. El cable del cargador o el transformador de pared se calientan.	El cargador está dañado.	Deje de usar el cargador de inmediato y desconecte de la fuente de energía. Cambie el cargador y coloque una etiqueta en el cargador defectuoso para evitar que alguien lo conecte accidentalmente o lo vuelva a usar.

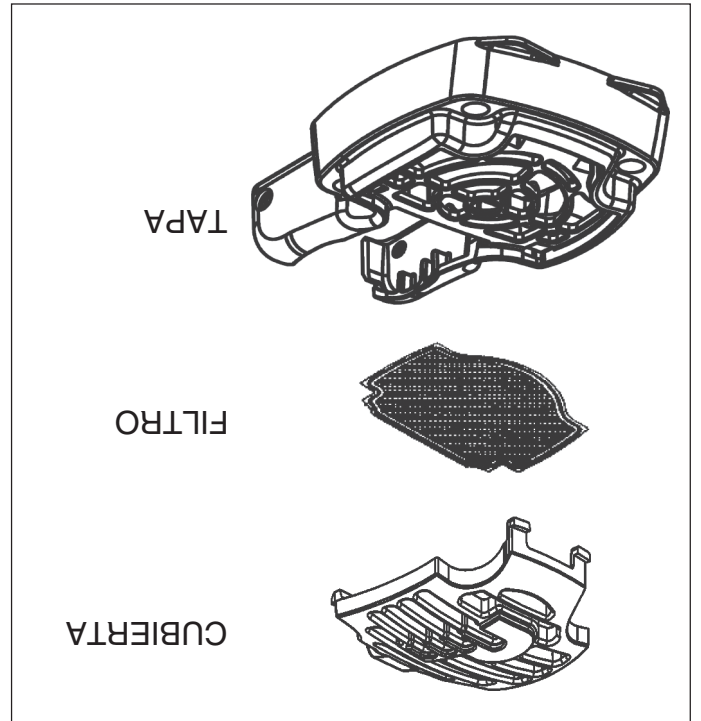
Durante el funcionamiento normal

SÍNTOMA	POSIBLES PROBLEMAS	SERVICIO
El ventilador no funciona - la luz indicadora de la clavadora está iluminada constantemente o parpadeando en rojo.	La batería no está cargada.	Cargue la batería.
El ventilador no funciona, o funciona más lentamente de lo normal - la luz indicadora de la clavadora está iluminada constantemente en rojo.	La batería está descargada.	Cargue la batería.
El elemento de contacto no se puede oprimir por completo - la clavadora no funciona.	El elemento de contacto está doblado, o la acumulación de suciedad restringe su funcionamiento.	Quite y revise el probador inferior. Limpie el carril. Repare o cambie el probador inferior.
La clavadora no clava, pero el ventilador sí funciona. La luz indicadora está iluminada constantemente en verde.	El cartucho de gas está vacío. El cable que produce la chispa no está conectado a la bujía. La bujía está sucia.	Cambie el cartucho de gas. Quite la cubierta y revise la bujía, coloque la bujía y vuelva a colocar la cubierta. Limpie la culata del cilindro de la clavadora.
No se producen chispas.	Envíe la clavadora a su distribuidor autorizado	Pasode para que la repare.

Filtro de aire

Abra la cubierta oprimiendo ligeramente arriba del adaptador, y pivotando la cubierta para que se abra. El filtro de aire simplemente sale hacia fuera.

Golpee LIGERAMENTE el filtro para sacar el polvo. Revise y limpie el filtro de aire cada dos días. Una solución de agua y jabón deja el filtro como "nuevo".



Rutina al final de un día de trabajo
Al final de cada día de trabajo lleve a cabo estos sencillos pasos para mantener la seguridad y la eficiencia de la clavadora para acabados.

Antes de salir de su lugar de trabajo:

1. Quite la batería y guárdela en el maletín de la clavadora. Siempre use el maletín de la clavadora Paslode Cordless para transportarla y almacenarla.
2. Deseche todos los cartuchos de gas vacíos. Recuerde que debe desecharlos donde no los puedan encontrar los niños y donde no puedan ser aplastados, perforados o quemados.

Cuando llegue a casa:

1. Si la luz roja en el mango indica que la batería necesita ser recargada colóquela en el cargador.
2. Limpie la clavadora para acabados con un paño limpio y suave.
3. Saque y limpie el filtro cada dos días.
4. Revise el elemento de contacto para asegurarse de que funciona sin obstrucciones.

Accesorios Paslode

Existe una gran variedad de accesorios disponibles para la clavadora para acabados angulada:

Punta " No Mar" (que no deja marcas) - Pieza No. 902425
Batería - Pieza No. 902650

Limpiador - Pieza No. 219348

Lentes de seguridad claros - Pieza No. 401382

Aceite lubricante Paslode - Pieza No. 401482

De cargador de baterías - Pieza No. 902672

Maletín para la clavadora Paslode Cordless - Pieza No. 902445

Para obtener mayor información póngase en contacto con su representante de Paslode®.

Clavadoras Paslode

Cada clavadora Paslode viene acompañada de una llave hexagonal de 9/64 pig (pieza No. 900736).

En el lugar de trabajo límtese a:

- REVISAR EL NIVEL DE ENERGIA DE LA BATERIA
- RECARGAR LA BATERIA
- REVISAR EL CARTUCHO DE GAS Y LA VALVULA DOSIFICADORA
- REEMPLAZAR EL CARTUCHO DE GAS
- LIMPIAR EL FILTRO DE AIRE
- DESATORAR LA CLAVADORA
- LIMPIAR LA HERRAMIENTA

Si intenta efectuar reparaciones mayores a las que indican estos procedimientos, puede llegar a sufrir lesiones graves o causar daños a la clavadora Impulse y anular la garantía.

Existen ciertos problemas a los que se puede enfrentar al usar su clavadora Paslode, que usted mismo puede corregir en el lugar de trabajo. Los siguientes procedimientos de servicio son los únicos que debe intentar realizar por sí mismo. Cualquier otro problema que tenga su clavadora Impulse debe ser diagnosticado y reparado por un técnico de servicio entrenado. Si considera que su problema es más difícil de corregir que con los procedimientos de servicio de este manual, póngase en contacto inmediatamente con su representante de Paslode.

Revisión de la batería

Revise periódicamente la luz indicadora de la batería, es decir, la luz indicadora en el mango de la clavadora para acabados. Cuando tenga un problema, el primer paso debe ser siempre asegurarse de que la batería tenga suficiente energía para hacer funcionar la clavadora.

Cuando se presiona el elemento de contacto contra la pieza de trabajo, arranca el motor del ventilador y la luz verde parpadeante se ilumina en forma constante. Si la luz indicadora se enciende en rojo, en forma parpadeante o continua, recargue la batería.

Revisión del cartucho de gas

Si funciona el ventilador de la clavadora Paslode Cordless y la luz indicadora está iluminada en verde, pero la clavadora no dispara o no clava por completo los clavos, revise el cartucho de gas. Cuando el cartucho de gas esté fuera de la clavadora, revíselo para ver si aún contiene combustible y si la válvula dosificadora está funcionando. Para comprobar si queda combustible en el cartucho, sosténgalo en posición vertical y simplemente coloque la aguja dosificadora contra un objeto sólido y oprima unas tres a cuatro veces. Cada vez que oprima debe salir una pequeña cantidad de combustible.

PELIGRO

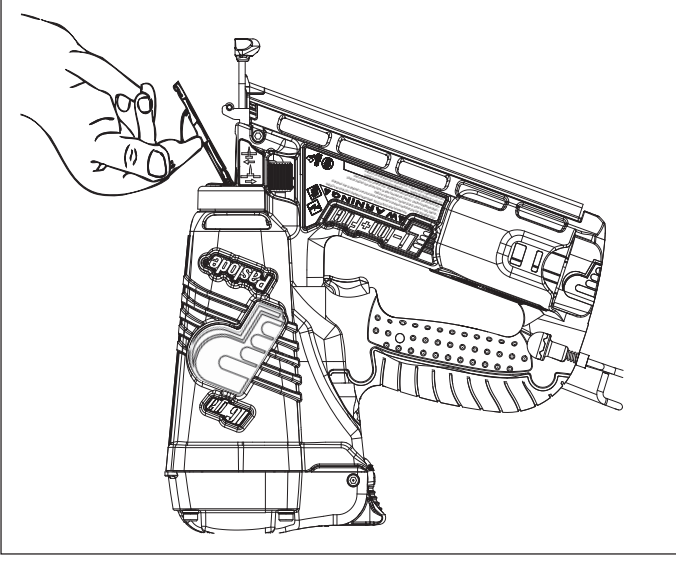
Use los lentes de seguridad cuando haga este prueba. Nunca lleve a cabo esta prueba cerca de una llama o de chispas, mientras fuma, o donde el combustible le pueda entrar en los ojos.

Si no sale combustible cada vez que active la aguja de la válvula, significa que no hay más combustible en el cilindro y que debe reemplazar el cartucho. Deseche el cartucho de gas vacío de forma adecuada. (vea la página 10)

Para desatorar la clavadora

Un problema típico que puede encontrar es una clavadora Impulse, es muy sencillo sacar los clavos atorados:

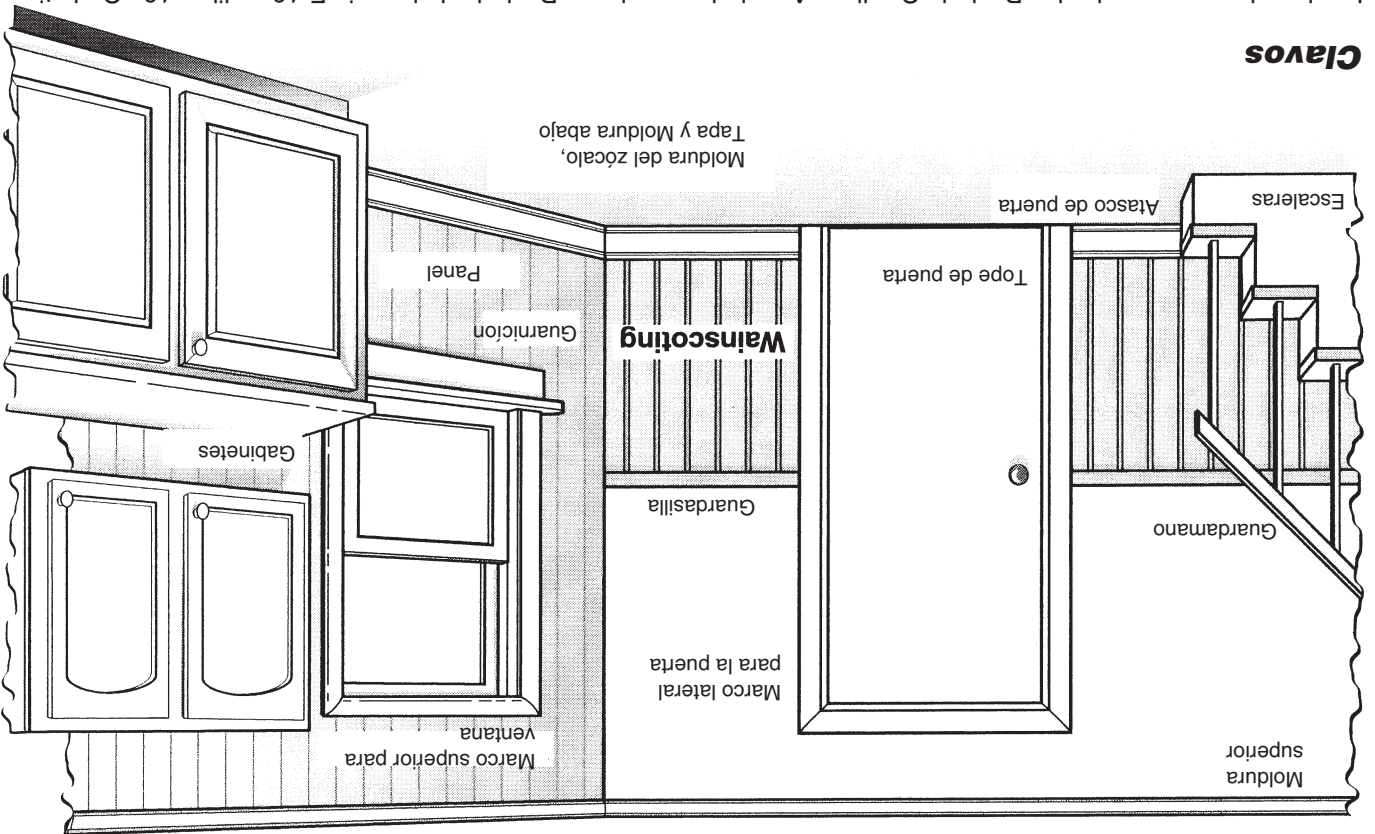
1. Saque la batería.
2. Deslice el seguro para soltar la guía delantera y hágala pivotar hacia adelante.
3. Quite las clavos atorados y empuje la hoja del impulsador hacia atrás hasta la posición normal de retorno.
4. Cierre la guía delantera y asegúrela. Verifique que el elemento de contacto no esté obstruido.



Clavos y Aplicaciones

Aplicaciones

Son muchos los usos que se le pueden dar a la clavadora para acabados Paslode Cordless Angulada para acabados Paslode Cordless Angulada, por ejemplo, en la colocación de decoraciones a los marcos de puertas y ventanas; la instalación de molduras en la unión de paredes y pisos o en la unión de paredes y techo; la fijación de paneles, de guardasillas, molduras para cuadros y cualquier otra decoración.



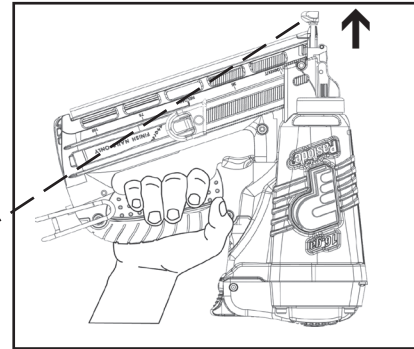
Clavos

La clavadora para acabados Paslode Cordless Angulada usa clavos Paslode de la serie F-16, calibre 16. Cada tira de clavos tiene 50 clavos para facilitar la carga de los mismos. Si utiliza clavos que no cumplen con las especificaciones de Paslode, se puede dañar la clavadora y se anula la garantía.

LA CLAVADORA PARA ACABADOS ANGULADA CLAVA ESTOS TIPOS DE CLAVOS DE ACABADO	PIEZA NO.	DESIGNACION	APLICACION
	650044	1- 1/4"	Terminado superior/inferior del listón del zócalo
	650045	1-1/2"	Listón del zócalo, moldura superior y guardasillas
	650046	1-3/4"	Listón del zócalo, moldura superior y guardasillas
	650047	2"	Listón del zócalo, marcos, moldura superior
	650049	2-1/2"	Marcos

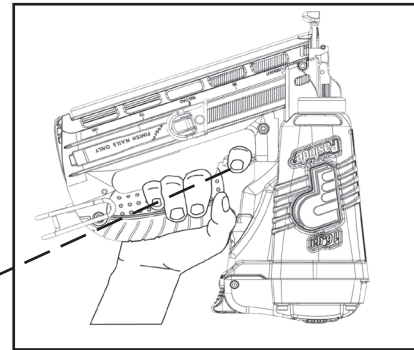
Funcionamiento de la clavadora de acabado angulada

Operation:



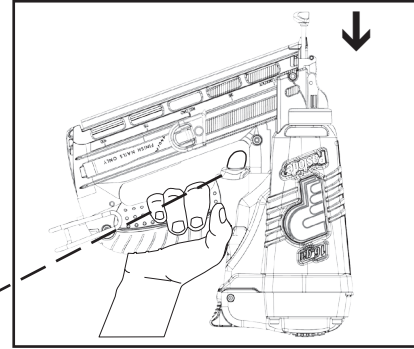
PRESIONE EL
ELEMENTO DE
CONTACTO
CONTRA LA
SUPERFICIE DE
TRABAJO.

El ventilador del
motor arranca, el
combustible se
inyecta en la
cámara de
combustión y el
ventilador lo
mezcla con aire.



APRIETE EL
GATILLO.

La bujía produce
una chispa y se
enciende la
mezcla de com-
bustible y aire. La
combustión mueve
el pistón que
impulsa el clavo.



LEVANTE LA
CLAVADORA Y
SUELTE EL
GATILLO.

La cámara de
combustión se
abre. El ventilador
deja salir los gases
calientes y enfría
los componentes
internos.

PELIGRO

El elemento de contacto y la punta se calientan después de un uso prolongado o rápido. Si es necesario ajustar el elemento de contacto, evite tocarlo con las manos.

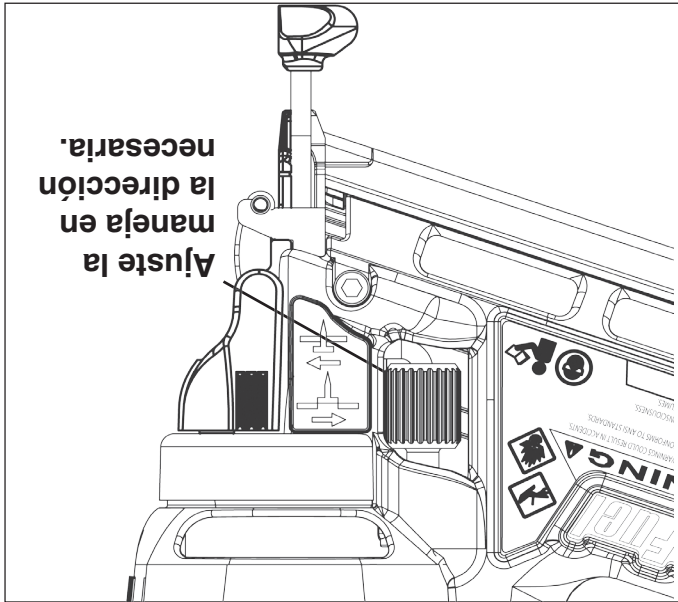
ADVERTENCIA

Sólo use este herramienta en un lugar bien ventilado, ya que la herramienta emite monóxido de carbono, de forma similar a una sierra de cadena o unapodadora. Si usted inhala monóxido de carbono, puede sufrir mareos, náusea o pérdida del conocimiento.

Ajuste de la profundidad con que se clava

Saque el cartucho de gas antes de ajustar la profundidad con que se clava.

El ajuste de la profundidad con que se clava se realiza ajustando la manija del elemento de contacto.



Ajuste la
manija en
la dirección
necesaria.

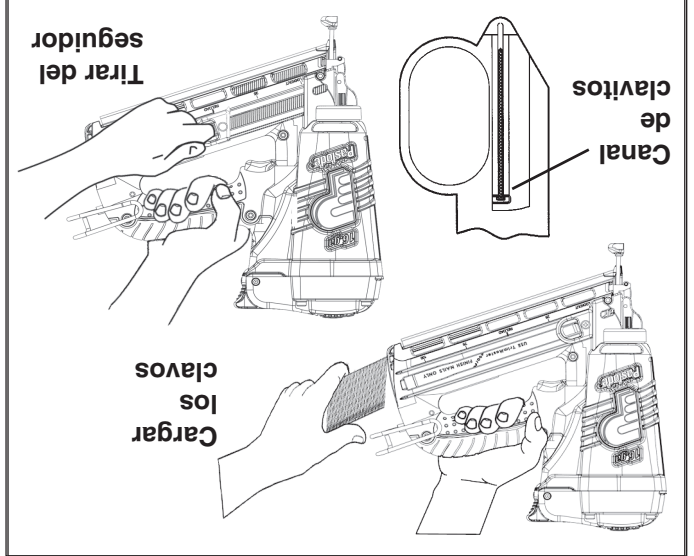
Preparación para usar la clavadora de acabado angulada

Clavos para acabados

La clavadora de acabado angulada Paslode impulsa clavos de calibre 16 diseñados para usarse con la herramienta. El uso de clavos que no satisfagan las normas Paslode puede causar daños a la herramienta y anulará todas las reclamaciones bajo la garantía.

Para cargar los clavos

PASO 1: Alinee las cabezas de los clavos de acabado angulados Paslode con el canal de clavitos plateado en la parte posterior del cargador e introduzca una o dos tiras. Empuje las tiras de clavos hacia adelante. **PASO 2:** Luego, mientras oprime la palanca de liberación, tire del seguidor hacia la parte posterior del cargador hasta que el seguidor haya pasado la última tira de clavos. Suelte la palanca del seguidor y deje que el mismo mueva los clavos hacia adelante dentro de la boca de la herramienta.



En la ilustración de arriba, usted verá una flecha en el lado del seguidor. Cuando la flecha aparezca en el área de recarga, marcada en el lado del cargador, usted puede introducir una nueva tira de clavos. Cuando la flecha de seguidor alcance al área de bloqueo, la herramienta se bloquea automáticamente para evitar su funcionamiento. Para desenganchar la herramienta, recargue simplemente otra tira de clavos.

Característica de bloqueo

El objetivo de esta característica es evitar el ciclo automático en blanco que pueda estropear la madera, desgastar el combustible y dañar los componentes de la herramienta. Se dejarán diez (10) clavos en el cargador, cuando el seguidor alcance al área de bloqueo. Cuando cambie la longitud de los clavos o cuando cargue al comienzo del día de trabajo, debe inspeccionar el cargador y la boca para verificar si permanecen clavos algunos en el cargador. Estos clavos no serán visibles a menos que se abra la boca de la herramienta.

La clavadora para acabados angulada al aire libre

Use la clavadora Paslode Cordless al aire libre, en buen tiempo, cuando la clavadora, el cartucho de gas, y la batería estén entre 20°F (-7°C) and 120°F (49°C).

Funcionamiento cuando hace calor

La clavadora Paslode Cordless necesita que el conjunto del motor se enfríe para que funcione correctamente. El ventilador generalmente produce el flujo de aire necesario para permitir que funcione continuamente. Siempre que la clavadora Paslode Cordless esté sin usarse durante periodos prolongados, deje el combustible y la clavadora en la sombra y en lugares donde las temperaturas no excedan los 49° C (120° F). Después de periodos prolongados de uso continuo, puede ser necesario dejar entrar el motor dejando de usar la clavadora durante unos 10 ó 15 minutos o hasta que la clavadora funcione normalmente. Si la clavadora se sobrecalienta, es posible que los clavos no penetren completamente o que la clavadora funcione erráticamente.

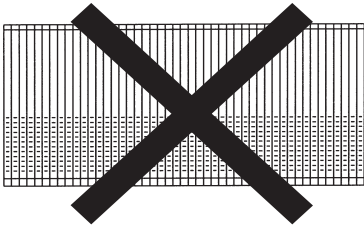
Funcionamiento cuando hace frío

Cuando hace frío, los cartuchos de gas pierden la fuerza necesaria de propulsión. Deje que la clavadora, la batería y el cartucho de gas lleguen a la temperatura mínima de operación sin exponerlos directamente a las llamas, y revise la batería.

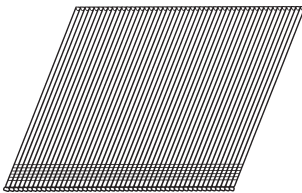


La clavadora para acabados Paslode Cordless no debe ser usada en la lluvia o donde haya demasiada humedad. Si se usa la clavadora para acabados angulada bajo estas condiciones se pueden dañar sus componentes y la clavadora se puede averiar.

Nunca use clavos de acabado que no son angulados!

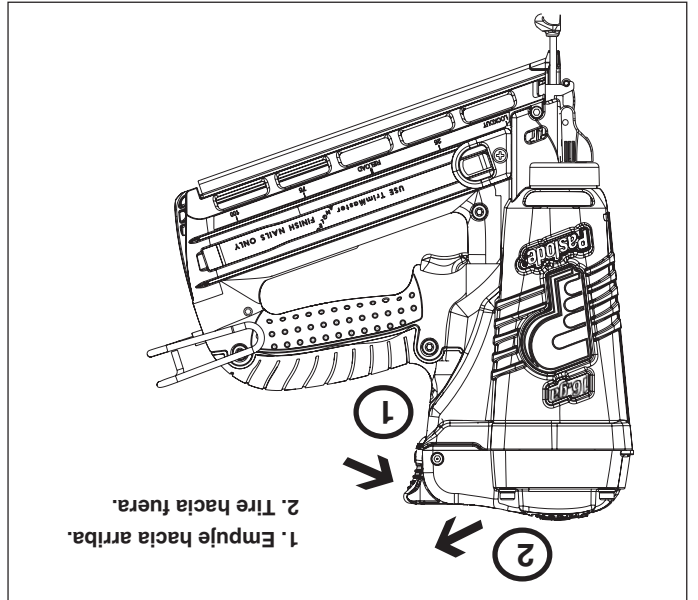


Use **solamente** clavos de acabado angulados.

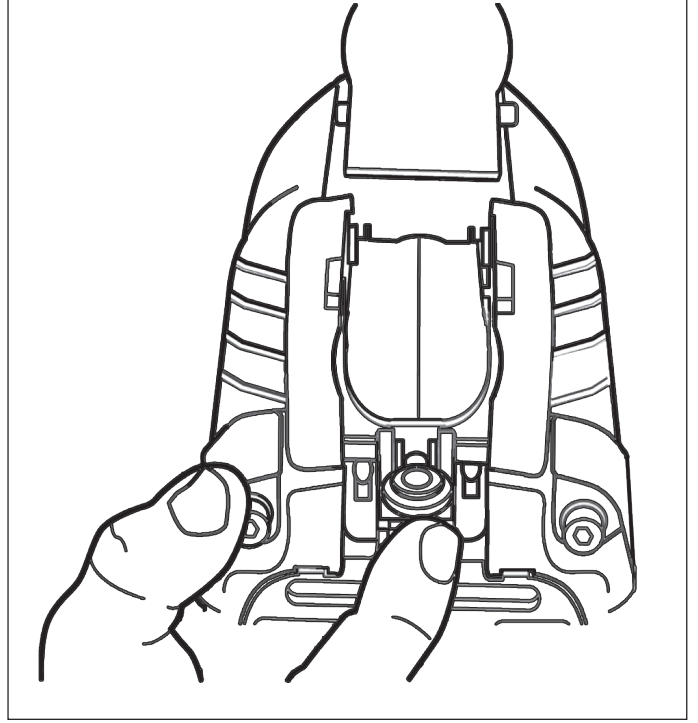


Colocacion del cartucho de gas

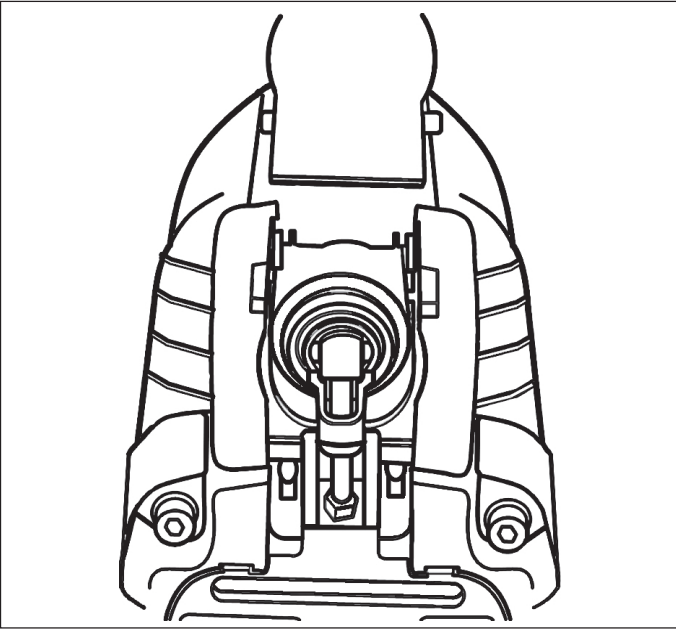
A. Es muy sencillo colocar el cartucho de gas dentro de la clavadora Paslode. Para empezar, empuje hacia arriba la parte inferior de la cubierta del accionador y ábralo hacia fuera. La cubierta se abre para dejar espacio.



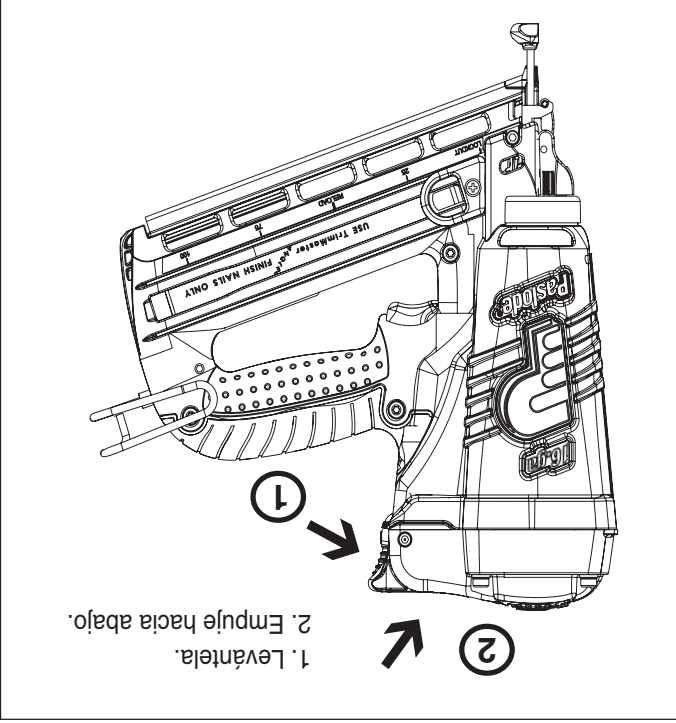
B. Levante el adaptador de cartucho de gas e insertar el cartucho de gas en la herramienta.



C. Suelte el adaptador por lo que se centra en el cartucho de combustible.

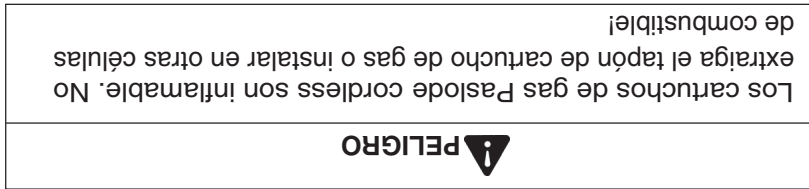


D. Cierre la tapa del accionador para completar la carga de gas en el Clavadora. Inalámbrica se cumple con cerrar la cubierta sobre la válvula de gas/cilindro y empujar hacia abajo hasta que la cubierta del accionador cierra en su posición.



NOTA:

Los cartuchos de gas Paslode Cordless vienen con la fecha de expiración marcada con "Best Use Before" (abajo de la lata). Para máximo rendimiento use el cartucho de gas antes del la fecha de expiración marcada con "Best Use Before".

**Guía para el desecho de celdas de combustible para inalámbricos:**

Paslode®, el líder en la industria de la tecnología de herramientas inalámbricas, suministra esta información para asis tir a lous suartos el desecho de las celdas de combustible para inalámbricos. Las opciones aceptables de desecho varían dependiendo del tipo de us uarto de celdas de combustible. Todos los usuarios deben considerar las regulaciones locales, estatales y federales de desechos sólidos para asegurar que las celdas de combustible sean desechadas apropiadamente. Los usuarios deben contactar a su autoridad local de desechos sólidos para una mayor orientación.

Las celdas de combustible desechadas (usadas o sin usar) pueden ser consideradas como residuos peligrosos bajo el acta de recuperación y conservación de recursos (RCRA, por sus siglas en inglés), dependiendo de los diferentes factores descritos en los siguientes parágrafos. En el momento del desecho, las celdas de combustible usadas o no usadas pueden ser clasificadas como desechos inflamables peligrosos (código de desechos - D001) bajo las regulaciones EPA de los Estados Unidos.

Los desechos peligrosos generados por los propietarios de vivienda y por los constructores que llevan a cabo el mantenimiento de rutina para los propietarios en sus viviendas, no son regulados por la RCRA. En general, los "desechos de viviendas" generados por los propietarios y sus contratistas están exentos de las regulaciones de desechos peligrosos puesto que estos desechos están excluidos expresamente de la definición de desechos peligrosos. Por ejemplo, la EPA de los Estados Unidos ha excluido como "desechos de vivienda" las latas de los aerosoles que contienen productos y propulsores residuales. Por lo tanto, bajo las regulaciones federales de desechos peligrosos, los propietarios de vivienda y los contratistas pueden desecher las celdas de combustible como desechos generales en un basurero municipal apropiadamente permitido. Estos usuarios deben contactar a su autoridad de desechos sólidos para determinar si alguna regulación estatal o local prohíbe o restringe dicha disposición.

Paslode no asume ninguna responsabilidad por el desecho apropiado de las celdas de combustible. El desecho apropiado es responsabilidad de los vendedores y usuarios. Todos los vendedores y usuarios deben contactar a su autoridad local de desechos sólidos para determinar si alguna regulación local, estatal o federal prohíbe o restringe el desecho. Los usuarios pueden obtener más información acerca de las regulaciones de la EPA de los Estados Unidos sobre desechos peligrosos en la siguiente dirección de Internet:

www.epa.gov/epaoswer/osw/hazwaste.htm

Alternativamente, los usuarios pueden contactar al Centro de Servicio RCRA de la EPA, Superfund y EPCRA de los Estados Unidos al 1-800-424-9346 para obtener más información.

Existe un segundo recipiente dentro del cartucho de gas. El recipiente interior contiene el combustible. El espacio entre el recipiente interior y el cilindro exterior está lleno de gas, llamado propulsor, que está envasado a presión.

Para dejar salir el combustible, la presión del propulsor oprime el recipiente interior de combustible, de forma similar a como se oprime un tubo de pasta dental. Esta presión asegura que se use todo el combustible y que la clavadora impulse pueda funcionar en cualquier posición. Debido a este diseño de un recipiente dentro de otro, al sacudir el cartucho de gas una vez que se haya terminado el combustible es posible que usted escuche el sonido de explosiones o incendios. Esto puede causar lesiones personales graves o daños a la propiedad.

Mantenga el cartucho de gas alejado del calor, las chispas y las llamas.

Si se expone a temperaturas más altas de 49° C (120° F) el cartucho de gas puede explotar, liberando gas inflamable.

1. Nunca intente volver a usar la válvula dosificadora. Reemplácela con un cartucho de gas y una válvula de combustible nuevos, y deséchelos usados de forma adecuada.

2. Cuando cambie el cartucho de gas, también cambie o limpie el filtro para que su clavadora funcione de manera óptima.

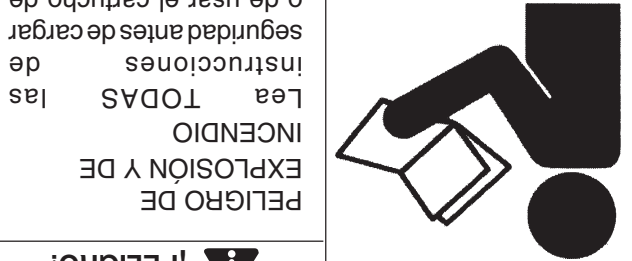
NOTA

La clavadora para acabados está accionada por un motor lineal de combustión interna y puede ser afectada por el altitud. La clavadora puede perder fuerza en elevaciones de 6000 pies o más.

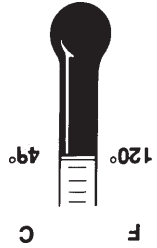
Cartucho de gas

!PELIGRO!

PELIGRO DE EXPLOSIÓN Y DE INCENDIO



Lea **TODAS** las instrucciones de seguridad antes de cargar o de usar el cartucho de gas. Si no se siguen **TODAS** las instrucciones pueden producirse explosiones o incendios. Esto puede causar lesiones personales graves o daños a la propiedad.



Si se expone a temperaturas más altas de 49° C (120° F) el cartucho de gas puede explotar, liberando gas inflamable.

!ADVERTENCIA!

La luz del sol puede elevar la temperatura interior de un vehículo cerrado por encima de los 60° C (140° F). Nunca perforo ni trate de abrir el cartucho de gas, ya que no es rellenable.

Nunca incinere ni recicle el cartucho de gas.

Nunca fume mientras instala o usa la válvula dosificadora.

Nunca inhale el rocío del atomizador.

Mantenga el cartucho de gas alejado de los niños.

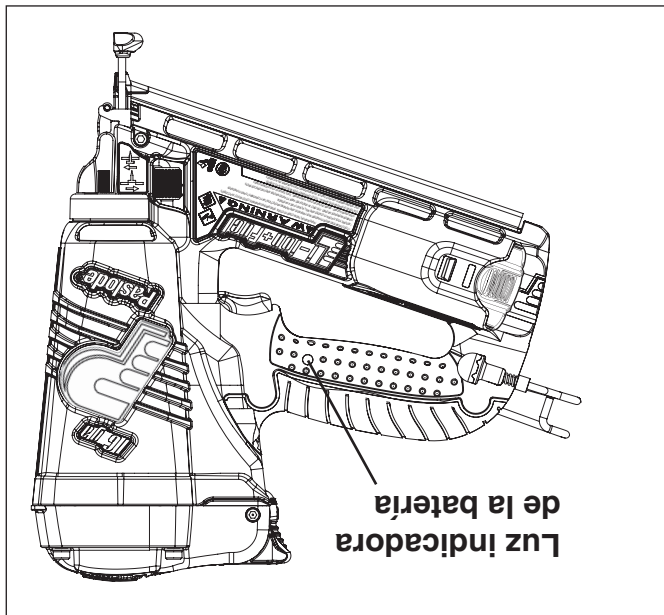
Almacene las cartuchos de gas sólo en áreas bien ventiladas.

Batería y sistema de carga

Luz indicadora de la batería

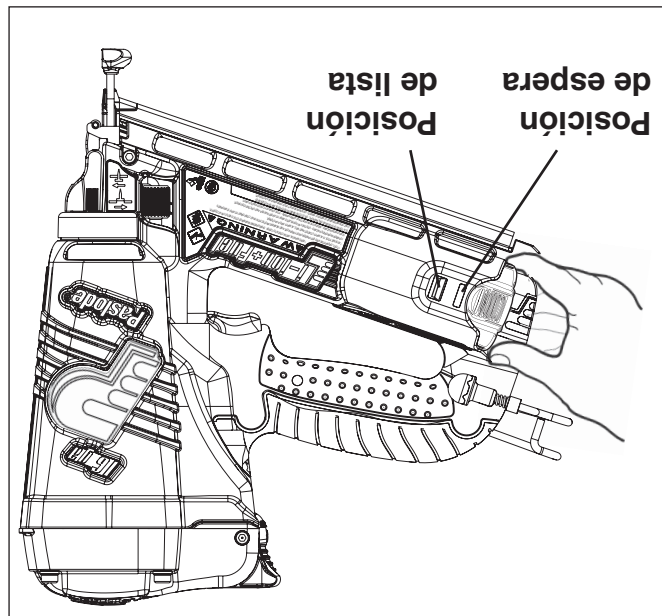
La ilustración es un acercamiento del mango de la clavadora Impulse. En un lado del mango hay una pequeña lente de plástico que es la luz indicadora de la batería.

Al colocar una batería completamente cargada dentro de la clavadora, se enciende y se apaga una luz indicadora verde. Si la luz indicadora parpadea en rojo, es necesario recargar la batería.



NOTA: Si la batería se queda dentro de la clavadora durante un período prolongado, se descarga por completo y es necesario recargarla.

IMPORTANTE: Si las terminales de la batería llegan a corroerse y a ocasionar un mal contacto, limpie las terminales con una tela de esmeril fina.



1. Introduzca la batería, con los contactos por delante, en la clavadora para acabados.

2. Empuje la batería completamente hacia delante en su posición de bloqueo listo. La luz indicadora de la batería se iluminará.

3. Para desconectar la batería, presione hacia abajo sobre el bloqueo ficha y respaldo de batería de diapositivas hasta que encaje en el Posición de espera.

4. Para sacar la batería, oprima hacia abajo la lengüeta de fijación y deslice la batería hacia fuera.

Batería y cargador de batería

INSTRUCCIONES PARA CARGAR LA BATERÍA:

1. Retire el cargador de la caja de herramientas y conéctalo a un tomacorriente de 120V CA. Establecer la base del cargador sobre una superficie estable. Una luz verde se enciende para indicar el aparato está encendido y el circuito del cargador está listo.
2. Saque la batería de la clavadora o del estuche e introduzca las terminales en el cargador. La luz roja se enciende indicando que la batería está cargando y se apaga la luz verde.

NOTA
Si la batería se ha descargado por completo, las luces roja y verde pueden destellarse intermitentemente hasta 20 minutos. Esta característica de seguridad recarga lentamente la batería hasta que este lista de recibir la corriente de cargado completa. Si las luces roja y verde siguen destellándose después de 20 minutos, reemplace la batería.

3. Después de cargarse, la luz roja se apagará y la luz verde encenderá, así indicando que la batería está cargada completamente. El cargador mantendrá la batería cargada por completo hasta que se quite el mismo.
4. Desenchufe el cargador del tomacorriente de 120V CA.

TIEMPOS DE CARGA

Batería completamente descargada
5 minutos hasta 1 hora

1 hora

DURANTE LA CARGA:

1. No cargue la batería al aire libre o a temperaturas inferiores a los 5° C. (40° F)
2. No permita que objetos metálicos toquen las terminales de la batería.
3. No perforo ni trate de abrir la caja de la batería o las celdas.
4. No almacene la batería donde esté sujeta a temperaturas superiores a los 49° C (120° F).
5. No incline la batería.
6. No use un cargador de baterías defectuoso, ni uno que se sobrecaliente o que produzca humo al conectarlo.
7. No ponga la batería o el cargador en agua.

Accesorios:

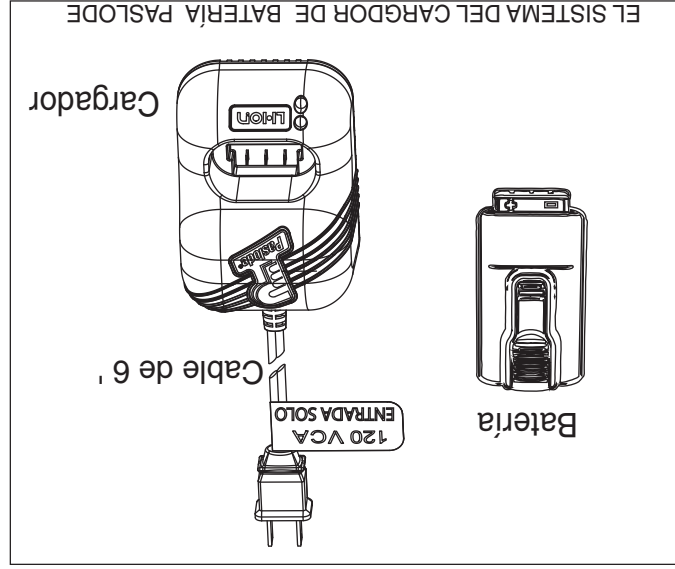
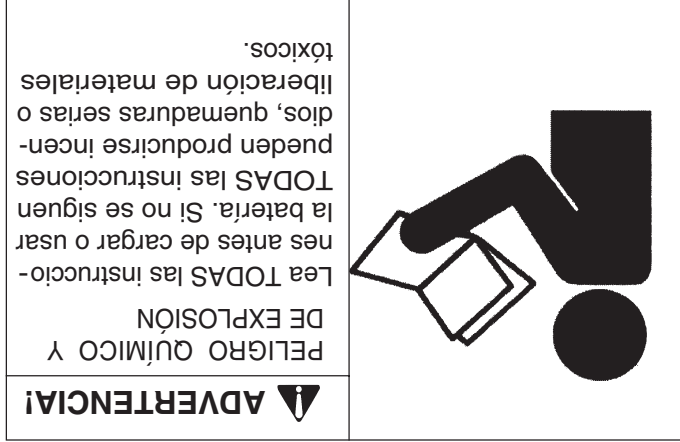
De cargador de baterías - Part No. 902672

Notas importantes de carga

La clavadora viene con una batería de litio (Li-ion) recargable y con su propio sistema de carga. Esta combinación de batería y sistema de carga es el único sistema que funciona con la clavadora Paslode. El primer paso al preparar una nueva herramienta para usarla es cargar por completo la batería. La batería se envía con una carga parcial y debe ser cargada completamente antes de usarla por primera vez. La batería se tarda en recargar de 5 minutos a 1 hora (tiempo de carga depende en la carga de la batería al momento).

Desear la batería:

Las baterías contienen litio y deben reciclarse o disponerlo adecuadamente. Favor de ponerse en contacto con su centro de reciclado local para conseguir mayor información sobre la devolución de baterías de litio, o llame al 1-800-8 Battery (1-800-822-8837).

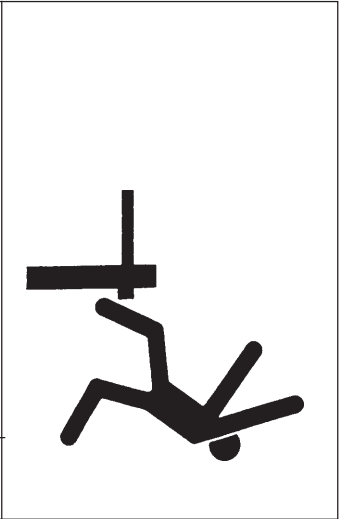


Instrucciones de seguridad

12. NUNCA CLAVE SUJETADORES EN ÁREAS QUE TENGAN PELIGROS OCULTOS.

Siempre revise el área detrás de la superficie de trabajo para ver si hay cableado eléctrico, tuberías de gas o de agua, drenajes u otros peligros potenciales.

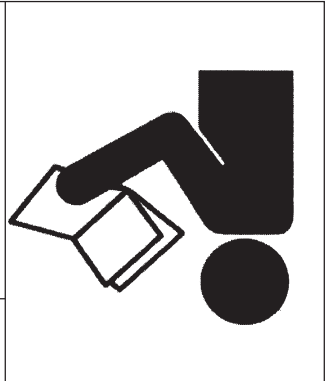
13. SIEMPRE PÁRESE FIRMEMENTE EN ESCALERAS, PLATAFORMAS U OTROS LUGARES.



Nunca trate de usar la clavadora en lugares que deba alcanzar con esfuerzo, ya que el retroceso puede hacer que pierda el equilibrio. Siempre esté pendiente de las orillas y los declives al clavar sobre tejados y otros lugares altos. Siempre colóquese de manera que estos peligros le queden de frente.

ADVERTENCIA

14. SÓLO PERMITA QUE EL PERSONAL CALIFICADO USE LA CLAVADORA PASLODE CORDLESS ANGUCLADA.



Sólo debe permitirse usar esta clavadora a personas que hayan leído las instrucciones de seguridad y de mantenimiento y que comprendan su funcionamiento.

ADVERTENCIA

15. ALMACENE CORRECTAMENTE EL CARTUCHO DE GAS.

<p>ADVERTENCIA </p>	
<p>Siempre almacene el combustible donde no vaya a estar expuesto a llamas, chispas o a temperaturas superiores a 49° C (120° F).</p>	

16. SIEMPRE GUARDE LA CLAVADORA SIN EL CARTUCHO DE GAS.

Almacene el cartucho de gas en el maletín de la clavadora para acabados limpios.

17. MANTENGA LIMPIA LA CLAVADORA.

18. MANTENGA LAS MANOS ALEJADAS DE LA SUPERFICIE DE TRABAJO.


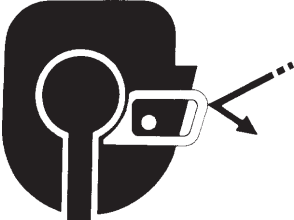
<p>ADVERTENCIA </p>	
<p>Es posible que algún sujetador se dispare en ángulo inesperadamente y cause lesiones.</p>	

INSTRUCCIONES DE SEGURIDAD DEL SISTEMA DE CARGA! INSTRUCCIONES DE SEGURIDAD IMPORTANTES!

GUARDE ESTAS INSTRUCCIONES!

<p>PELIGRO </p>	<p>PARA REDUCIR EL RIESGO DE INCENDIO O DESCARGA ELÉCTRICA, CUIDADOSAMENTE SIGA ESTAS INSTRUCCIONES!</p>
------------------------	---

Para conexión a una fuente fuera de América del Norte, utilice un adaptador de conector de datos adjuntos de la configuración adecuada para la toma de corriente, si es necesario.

<p>ADVERTENCIA </p>	
<p>Use siempre equipo de seguridad para los OJOS y los OÍDOS cuando trabaje con la clavadora. Impulse o cerca de ésta.</p>	

1. Los protectores de ojos deben cumplir con las normas ANSI Z87.1 y deben tener protectores laterales para mayor seguridad.

2. NUNCA ASUMA QUE LA HERRAMIENTA ESTÁ VACÍA.

Nunca apunte con la herramienta hacia usted o hacia otra persona.

3. NUNCA "JUEGUE" CON LA CLAVADORA. La clavadora Paslode no es un juguete; es una herramienta delicada. Si la usa sin cuidado o incorrectamente puede sufrir un accidente grave.


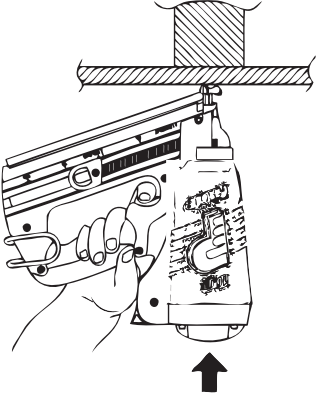
4. NUNCA SOSTENGA LA HERRAMIENTA CON EL DEDO SOBRE EL GATILLO U OPRIMIENDO EL MISMO. De esta forma se puede disparar accidentalmente un clavo.

5. NUNCA USE UNA HERRAMIENTA QUE NO FUNCIONE BIEN.

Consulte la sección de servicio o de detección y corrección de fallas en este manual para corregir el problema. Si no puede resolver el problema, deje de usar la herramienta y notifique la situación a su supervisor o al representante de Paslode.

6. NO CARGUE SUJETADORES CUANDO EL GATILLO Y/O EL ELEMENTO DE CONTACTO ESTÉN OPRIMIDOS.

Se puede descargar accidentalmente un sujetador.

<p>ADVERTENCIA </p>	
<p>La clavadora para acabados angulada se debe usar solamente cuando esté en contacto con la superficie de trabajo. Cuando clave sobre materiales angostos como madera contrachapada, asegúrese de colocar la clavadora de tal forma que los clavos penetren en la pieza inferior.</p>	

7. NUNCA quite o deshabilite el elemento de contacto. Este dispositivo ayuda a reducir la posibilidad de que se dispare accidentalmente un sujetador, al evitar que la herramienta funcione hasta que haga contacto completamente con la superficie de trabajo. NUNCA use la herramienta si el elemento de contacto no funciona correctamente.

8. NUNCA apunte la clavadora hacia usted o hacia otras personas cuando la desatore o cuando saque los clavos. Tire del transportador ligeramente hacia atrás y oprima la palanca de liberación. Incline la punta de la clavadora ligeramente hacia arriba y los clavos deben salir por la parte de atrás del cargador. Si los sujetadores están atorados, consulte la sección de servicio apropiada de este manual.

9. NUNCA use la clavadora Paslode si tiene piezas flojas, dañadas o faltantes.

10. NO clave los sujetadores en los nudos de la madera o sobre otros sujetadores ya instalados. El sujetador puede rebotar y causar una lesión seria.

11. USE LA HERRAMIENTA SÓLO EN SU LUGAR DE TRABAJO.

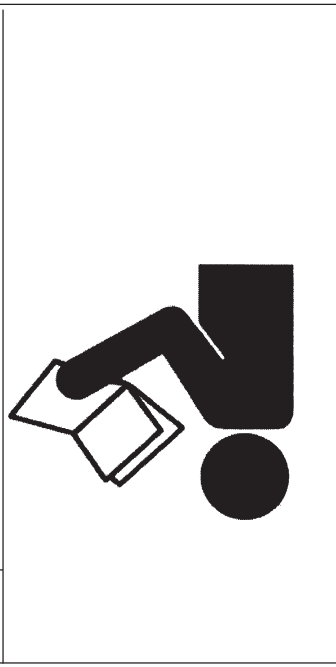
Instrucciones de seguridad

Las siguientes instrucciones de seguridad se han incluido en este folleto para proporcionarle la información básica necesaria para que su clavadora para acabados Angulada funcione sin peligro. NO INTENTE USAR ESTA HERRAMIENTA HASTA QUE HAYA LEÍDO Y COMPRENDIDO TODAS LAS ADVERTENCIAS DE SEGURIDAD Y LAS INSTRUCCIONES DEL MANUAL. Además de estas instrucciones, es posible que necesite entrenamiento. Póngase en contacto con su representante de Paslode para obtener mayor información al respecto.



PELIGRO

La clavadora Paslode Cordless es un equipo de combustión interna. Produce gases de escape calientes que pueden encender materiales inflamables. Esta clavadora no debe usarse en ambientes combustibles o en presencia de materiales combustibles, tales como productos químicos, inflamables, adhesivos, gasolina o solventes.



ADVERTENCIA

No intente usar esta herramienta hasta que haya leído y comprendido todas las advertencias de seguridad y las instrucciones del manual. Si no sigue todas las advertencias de seguridad y las instrucciones de este manual puede sufrir la pérdida permanente del sentido de la vista, lesiones personales graves o hasta la muerte, además de causar daños a la propiedad y/o a la herramienta.

<p>ADVERTENCIA</p>	
<p>No exponga la herramienta a temperaturas mayores de 49° C (120° F). El cartucho de gas o la batería pueden explotar, dejando escapar gases inflamables.</p>	

<p>ADVERTENCIA</p>	
<p>Sólo use esta herramienta en un lugar bien ventilado, ya que la herramienta emite monóxido de carbono, de forma similar a una sierra de cadena o una podadora. Si usted inhala monóxido de carbono puede sufrir mareos, náusea o pérdida del conocimiento.</p>	

<p>ADVERTENCIA</p>	
<p>Mantenga SIEMPRE la clavadora para acabados Paslode Cordless, el cartucho de gas y la batería fuera del alcance de los niños.</p>	

Aspectos generales de la clavadora Paslode Cordless Angulada

Descripción

La clavadora Paslode Cordless Angulada contiene todo lo necesario para funcionar, es totalmente portátil y utiliza combustible líquido de hidrocarburos para accionar un motor especial de combustión interna de transmisión lineal.

Para que usted comprenda la información de este manual, es necesario que conozca los principios básicos de la clavadora para acabados Impulse. Como puede darse cuenta en la siguiente ilustración, la clavadora Impulse consta de tres unidades independientes: el mango, el motor y el mecanismo de alimentación.

Mientras examina su clavadora para acabados Impulse familiarícese con las tres unidades principales y con los distintos componentes que forman cada una de ellas.

El **conjunto del motor** contiene la cubierta, el filtro y la tapa, el bastidor del motor, la punta y el elemento de contacto.

El **mecanismo de alimentación** contiene la perilla de fijación del cargador, el compartimiento de la batería, la palanca de liberación del transportador, el transportador y el seguro.

El **conjunto del mango** contiene el cartucho de gas, la luz indicadora de la batería y el gatillo.

Especificaciones

Dimensiones: Peso: 2.09 kg
 Altura: 36.5 cm
 Longitud: 30.8 cm
 Magazine: Angulado

Velocidad: Funcionamiento intermitente - 2 a 3 clavos por segundo

NOTA: Si se excede esta velocidad, la clavadora se puede sobrecalentar, dando como resultado una pérdida de eficiencia o causando daños a los componentes de la clavadora. Al usar la clavadora Paslode Cordless a su velocidad recomendada, podrá clavar varios miles de clavos en un día normal de trabajo.

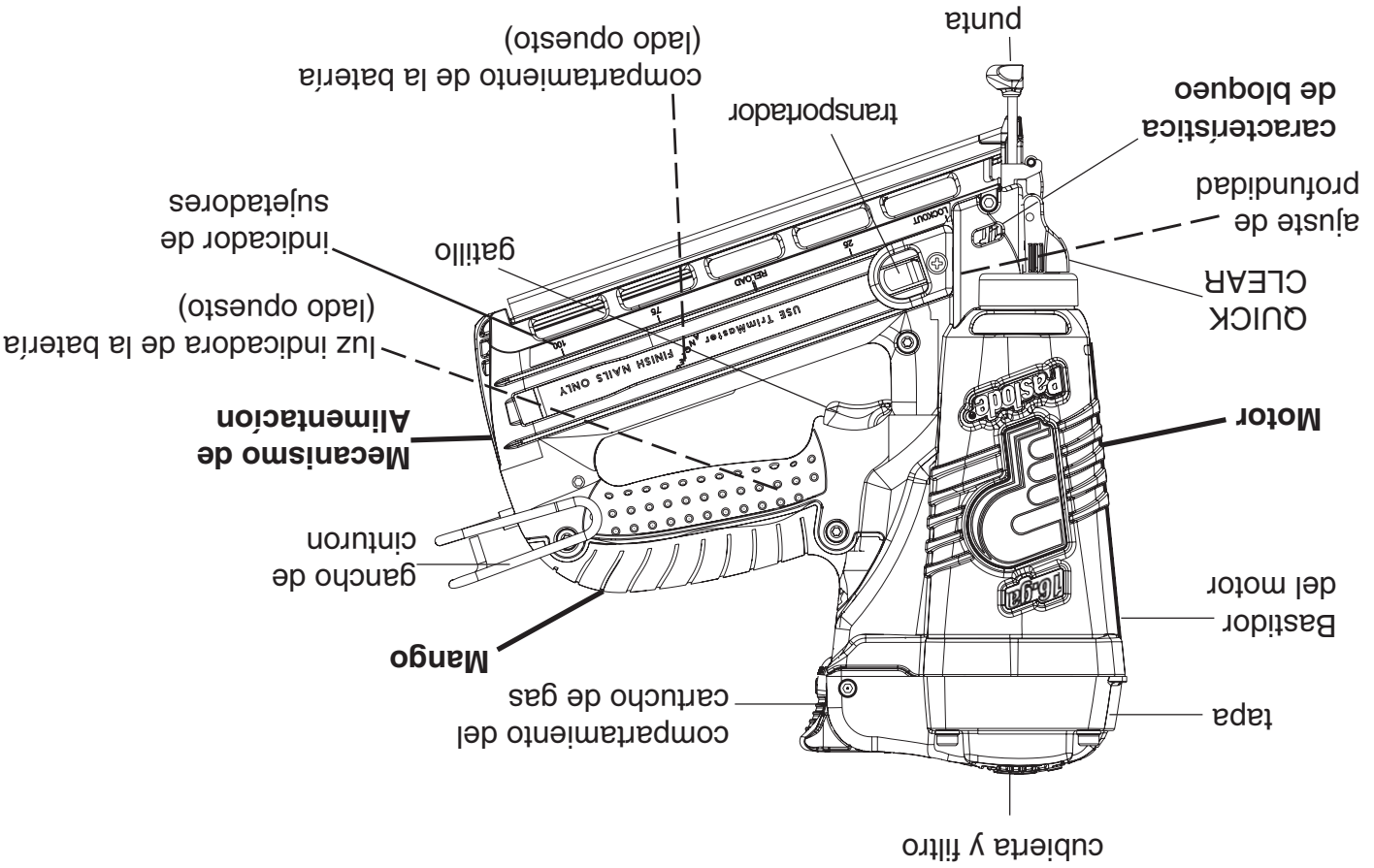
Clavos: Calibre 16, Serie F-16, Punta cincelada.

Capacidad del cargador: Dos tiras de clavos ó 100 clavos.

Batería: 7.4 voltios de DC - Proporciona suficiente energía para clavar aproximadamente 6000 clavos en una carga completa.

Cartucho de gas:

Cartucho de gas amarillo (.64oz) Peiza# 816007
 Hidrocarburos líquidos - Proporciona suficiente combustible para clavar 1000 clavos.



Introducción y Garantía

Manual de funcionamiento de una herramienta Paslode Cordless

El propósito de este manual es familiarizarlo con la clavadora para acabados de Paslode Cordless. A diferencia de otras herramientas mecánicas, la clavadora para acabados está accionada por un motor lineal de combustión interna, es decir, un motor similar al de un automóvil. La clavadora enciende la mezcla de combustible y aire para producir la energía necesaria que hace funcionar el motor, el que ha su vez hace funcionar la clavadora. Como verá, la clavadora para acabados Paslode Cordless es completamente autónoma: contiene su batería y combustible propios, además de una provisión de clavos.

Este manual está dividido en secciones para facilitar su uso (vea el Contenido). Todas las secciones fueron escritas teniendo en cuenta a usted, el operador de la clavadora. Hemos omitido todos los términos técnicos de modo que usted pueda comprender cómo obtener el mayor rendimiento de su clavadora Paslode Cordless y evitar lesiones personales y daños a la clavadora. Con este propósito usted debe:

1. LEER COMPLETAMENTE ESTE MANUAL ANTES DE USAR LA HERRAMIENTA.

2. SEGUIR LAS INSTRUCCIONES DEL MANUAL.

Términos de la garantía de Paslode

Paslode asume únicamente la responsabilidad de reponer cualquier pieza o accesorio que se compruebe como defectuoso dentro del período especificado. Cualquier pieza o accesorio de repuesto, entregado de conformidad con esta garantía, gozará de la garantía por el período restante de la garantía que cubra a la pieza o al accesorio originales. Esta garantía no cubre las piezas que necesitan ser repuestas como consecuencia de su desgaste normal. Se cancelará esta garantía a cualquier herramienta que haya sido usada incorrectamente, dañada accidental o intencionalmente, usada con sujetadores, combustible, baterías o cargadores de batería que no reúnan las especificaciones, el tamaño o la calidad de Paslode, o a la que no se le haya dado el mantenimiento o el uso adecuado, o que haya sido reparada con piezas que no sean marca Paslode, o que en opinión de Paslode hayan sido modificadas o reparadas de manera que afecte o sea contraria al funcionamiento de la herramienta. PASLODE NO OTORGA NINGUNA GARANTÍA EXPLÍCITA O IMPLÍCITA CON RESPECTO A LA COMERCIALIZACIÓN O ADAPTACIÓN AL USO PREVISTO, O DE CUALQUIER OTRA NATURALEZA, CON EXCEPCIÓN DE LO DECLARADO ANTERIORMENTE, Y LA RESPONSABILIDAD DE PASLODE TAL COMO SE INDICA Y SE ASUME MÁS ARRIBA reemplaza a todas las otras garantías que resulten o estén relacionadas con el uso y funcionamiento de la herramienta, excepto según lo estipulen las leyes pertinentes. PASLODE NO SERÁ RESPONSABLE EN NINGÚN CASO POR NINGÚN DAÑO DIRECTO, INDIRECTO O CONSECUENTE INCLUYENDO, PERO SIN LIMITARSE, CUALQUIER DAÑO RESULTADO DE LA PÉRDIDA DE PRODUCCIÓN O GANANCIAS ANTICIPADAS, EL DETERIORO DE MATERIALES, AUMENTOS EN EL COSTO DE OPERACIÓN O CUALQUIER OTRO.

Paslode garantiza que sus herramientas mecánicas Cordless, sus piezas y accesorios, que hayan sido comprados nuevos, están libres de defectos de material y fabricación por el período indicado más abajo, a partir de la fecha de compra del comprador original.

GARANTÍA LIMITADA DE UN AÑO
Un año de garantía se aplicará a todas las partes, excepto aquellos específicamente cubiertos por una garantía extendida.

GARANTÍA ADICIONAL DE CINCO AÑOS
La garantía de cinco años cubre todas las piezas moldeadas de nylon:

- Bastidor del motor, tapa y rejilla
- Accionador y secciones del mango
- Gatillo
- Piezas del cargador

DECLARACIÓN DE LA GARANTÍA
Esta garantía esta limitada a las herramientas vendidas y revisadas en los Estados Unidos. Para obtener mas información sobre el servicio de garantía en los Estados Unidos, vea la lista de Centros de Servicio que fue proporcionada con su herramienta.

Número de teléfono

Ciudad Estado Código postal

Dirección

Nombre

La clavadora Paslode Cordless debe usarse con las mismas precauciones que cualquier otra herramienta mecánica, ya que su uso incorrecto podría causar lesiones personales. Si le permite a otras personas usar su clavadora impulse, usted asume la responsabilidad de que esas personas también lean y sigan las instrucciones de este manual antes de usar la clavadora. Si tuviera alguna pregunta acerca de la clavadora Paslode Cordless o si quisiera obtener más copias de este manual, comuníquese con su representante de Paslode®, cuya información usted puede llenar a continuación.

Tema	Página
Introducción y Garantía.....	2
Aspectos generales de la Clavadora	3
Instrucciones de seguridad	4
Batería y cargador de batería	7
Cartucho de gas.....	9
Preparando la Clavadora para uso	12
Funcionamiento de la Clavadora	13
Clavos y aplicaciones.....	14
Servicio	15
Detección y corrección de fallas	17

Tanto la batería como el cargador de batería cumplen reúnen todos los requisitos de seguridad de las herramientas mecánicas.



Paslode® es una marca registrada

Paslode
An Illinois Tool Works Company
888 Forest Edge Drive
Vernon Hills, Illinois 60061
www.paslode.com

Paslode® Las clavadoras mecánicas se fabrican en los Estados Unidos.

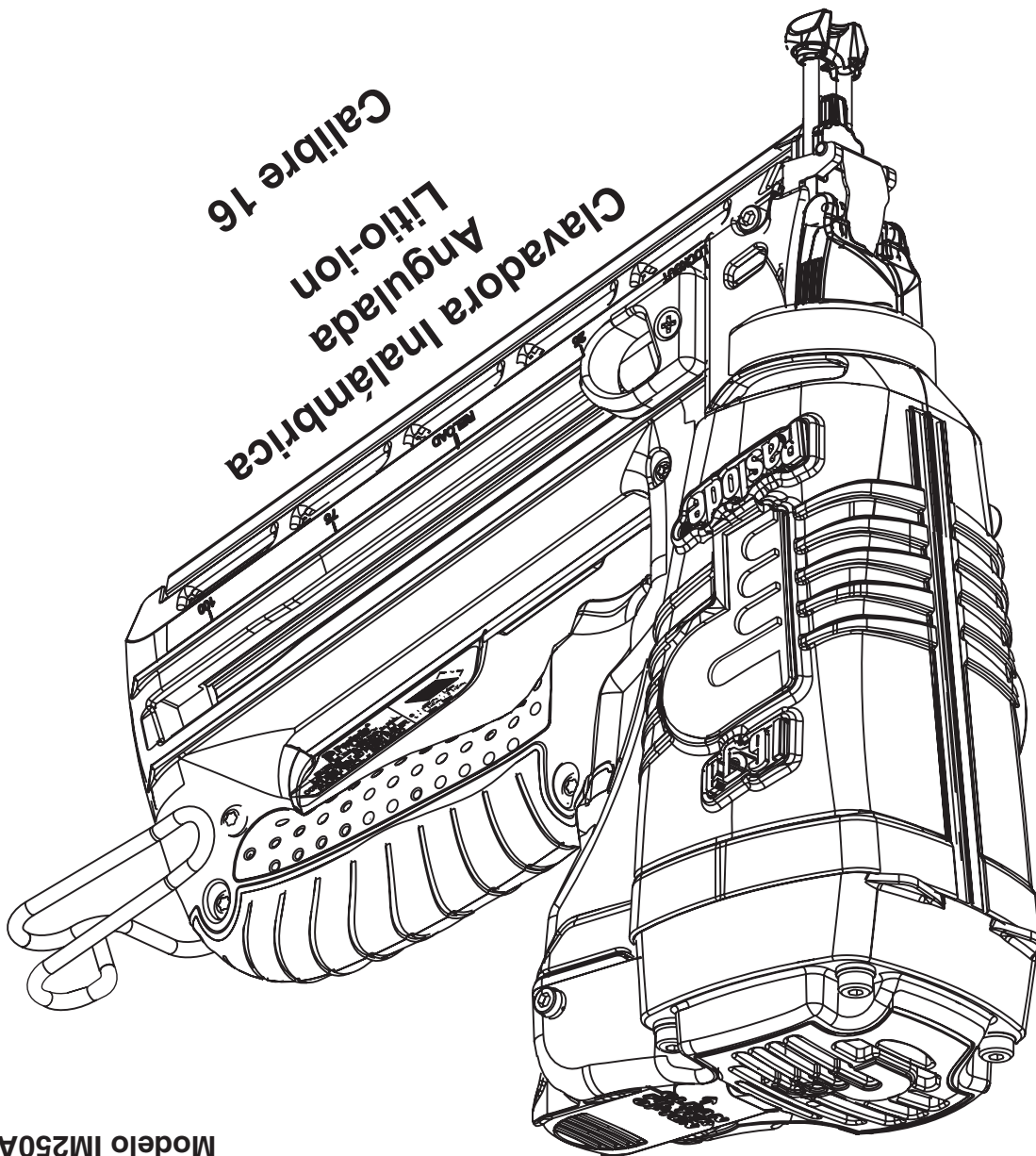
Paslode® es miembro de:



El cliente tiene la responsabilidad de que todo el personal de operaciones y servicio lea y entienda este manual.

**NO DESTRUYE ESTE MANUAL
IMPORTANTE!**

**MANUAL DE
FUNCIONAMIENTO**



Modelo IM250A LI

Pieza No. 902400

