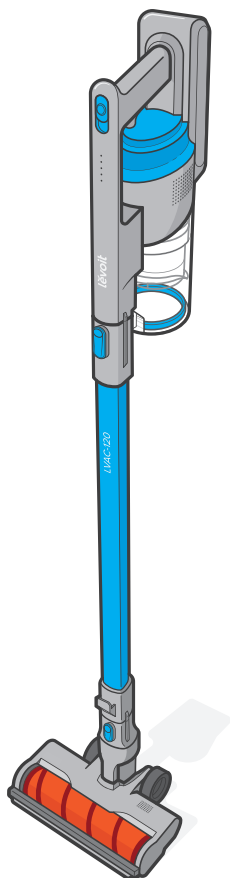


# levoit

USER MANUAL

## Cordless 2-in-1 Stick Vacuum Cleaner

Model: LVAC-120



### Questions or Concerns?

Please contact us Mon–Fri, 9:00 am–5:00 pm PST/PDT at [support@levoit.com](mailto:support@levoit.com) or at **(888) 726-8520**.

Thank you for purchasing the  
**LVAC-120 CORDLESS  
2-IN-1 STICK  
VACUUM CLEANER  
BY LEVOIT.**

If you have any questions or concerns, please reach out to us at [support@levoit.com](mailto:support@levoit.com). We hope you enjoy your new vacuum!

**Share the Levoit Love**

Find [@LevoitLifestyle](#) on social media for wellness + style inspiration. We make every space mindful and chic.

[@LevoitLifestyle](#)

[#LevoitLove](#) • [#LevoitLifestyle](#)

## Table of Contents

Package Contents	3
Specifications	3
Important Safety Instructions	4
Getting to Know Your Vacuum	6
Using Your Vacuum	7
Care & Maintenance	9
Troubleshooting	12
Warranty Information	13
Customer Support	14

## Package Contents

1 x Cordless Vacuum
1 x Stick
1 x Roller Brush
1 x Crevice Nozzle
1 x 2-in-1 Brush Nozzle
1 x Cleaning Brush
1 x Wall Mount
1 x Charger
1 x User Manual
1 x Quick Start Guide

## Specifications

<b>Battery Type</b>	DC 22.2V, 2200mAh, 48.84Wh Li-ion batteries
<b>Charger</b>	Input: 100–240V, 50/60Hz 0.5A Output: DC 26V, 400mA
<b>Charging Time</b>	5 hours
<b>Dimensions</b>	10.4 x 5.3 x 30.3 in / 26.3 x 13.5 x 77 cm
<b>Weight</b>	8.3 lb / 3.8 kg
<b>Dust Bin Capacity</b>	2.1 cups / 0.5 L
<b>Runtime</b>	20–40 minutes
<b>Suction Power</b>	1.5 psi / 10 kPa

# IMPORTANT SAFETY INSTRUCTIONS

When using this vacuum, basic precautions should always be followed, including the following:

## READ ALL INSTRUCTIONS

## WARNING

### TO REDUCE THE RISK OF FIRE, ELECTRIC SHOCK, OR INJURY:

- **Do not** leave the vacuum unattended while it is on. Unplug from outlet when not charging and before servicing.
- **Do not** use outdoors or on wet surfaces.
- The vacuum is not a toy. **Do not** allow children to play with the vacuum. Close supervision is necessary when the vacuum is used by children.
- Close supervision is necessary when the vacuum is used by children, invalids, disabled persons, or those who lack experience and knowledge, unless they have been given supervision or instruction on how to use the vacuum and understand the hazards involved.
- **Only** use your vacuum as described in this manual.
- **Do not** use your vacuum if it is damaged or not working correctly, or if the charger or plug is damaged. **Do not** try to repair it yourself. [Contact Customer Support](#) (see page 14).
- **Do not** handle the charger or vacuum with wet hands.
- **Do not** put any object into any opening. **Do not** use the vacuum with any opening blocked. Keep free of dust, lint, hair, or anything that may reduce air flow.
- Keep hair, loose clothing, fingers, and all body parts away from openings and moving parts.
- Use extra care when cleaning on stairs.
- The stick contains electrical wires. **Do not** use if damaged, cut, or punctured. Avoid vacuuming sharp objects.
- **Do not** vacuum the following or use where they may be present:
  - Large or sharp objects such as glass shards
  - Flammable or combustible liquids such as solvents or detergents
  - Inflammable or explosive substances such as gasoline or alcohol
- Risk of injury. Brush may start unexpectedly. Remove the main body before cleaning or servicing.
- Prevent unintentional starting. Ensure the switch is in the "Off" position before picking up or carrying the vacuum. Carrying the vacuum with your finger on the switch may cause accidents.
- Always turn the vacuum off before connecting or disconnecting the stick, nozzles, brushes, or vacuum head.
- **Do not** vacuum anything that is burning or smoking, such as cigarettes, matches, or hot ashes.
- **Do not** use without dust bin and filters in place.
- **Do not** point the vacuum at any person or animal while it is on.
- Store the vacuum on a small stand or flat surface, or hang it from the wall.
- **Do not** use aftermarket or third-party accessories with the vacuum. **Only** use the accessories provided.

## BATTERY & CHARGER

**WARNING: Read all safety warnings and instructions. Failure to follow the warnings and instructions may result in electric shock, fire, and/or serious injury.**

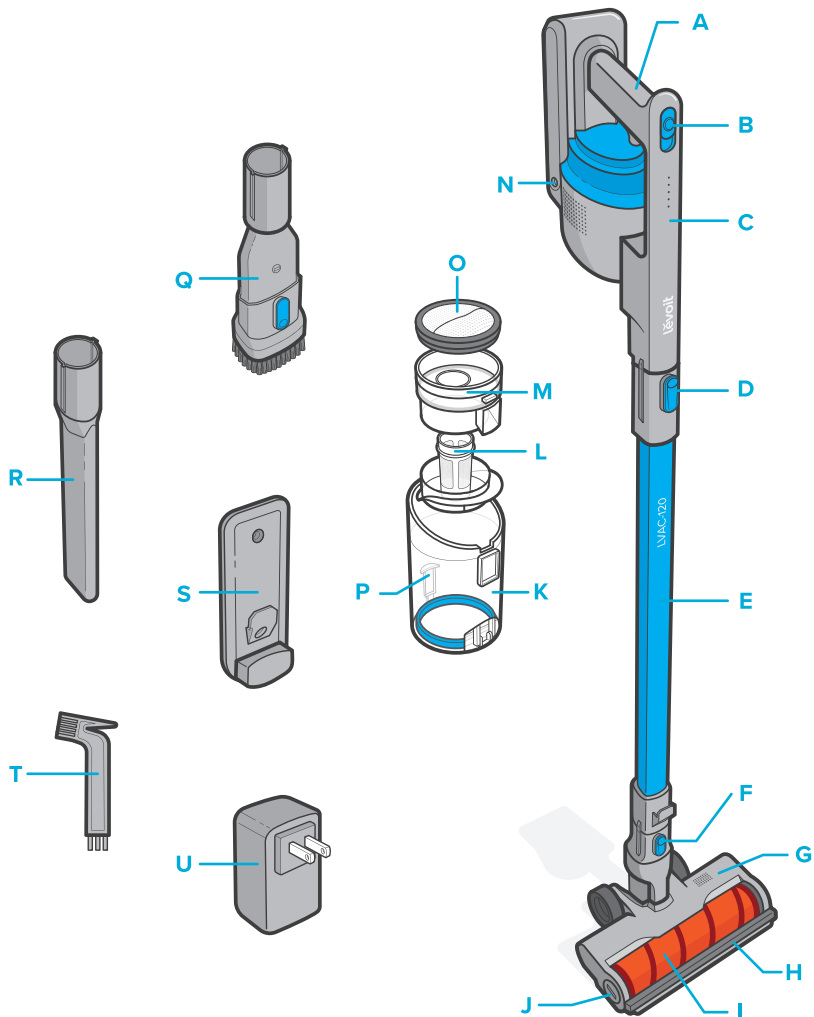
- **Do not** pull or carry the vacuum by the charging cable, use the cable as a handle, close a door on the cable, or pull the cable around sharp edges or corners. **Do not** run any appliance over the cable.
- **Do not** pull on the cable to remove it from the outlet. **Only** use the plug to pull it out from the outlet.
- **Never** place the charger or its cable near any heat source.
- Keep the charging cable out of areas where people walk often. Place the cable where it will not be tripped over.
- **Do not** use the charger to charge other appliances besides this vacuum.
- Check to make sure the voltage specified on the vacuum matches the voltage on the charger.
- **Only** recharge the vacuum with the charger specified by the manufacturer. A charger that is suitable for one type of appliance may create a risk of fire when used with another battery pack. Charger model: charger ZD012A260040US.
- **Only** use the battery pack specifically designed for this vacuum. Use of any other battery packs may create a risk of injury and fire. Battery pack type: PF061JPF from Suzhou Provac Technology Co., Ltd.
- When the battery pack is not in use, keep it away from other metal objects, like paper clips, coins, keys, nails, screws, or other small metal objects that can make a connection from one terminal to another. Shorting the battery terminals together may cause burns or a fire.
- Under abusive conditions, liquid may be ejected from the battery. Avoid contact. If contact occurs, flush with water. If liquid contacts eyes, immediately flush with water and seek medical help. Liquid ejected from the battery may cause irritation or burns.
- **Do not** use the battery pack or vacuum if they are damaged or modified. Damaged or modified batteries may exhibit unpredictable behavior resulting in fire, explosions, or risk of injury.
- Have servicing performed **only** by a qualified repair person using identical replacement parts. This will ensure that the safety of the vacuum is maintained.
- **Do not** modify or attempt to repair the vacuum or the battery pack except as indicated in the manual.
- **Do not** expose the battery pack or vacuum to fire or excessive temperatures. Exposure to fire or temperatures above 265°F / 129°C may cause an explosion.
- Follow all charging instructions and do not charge the battery pack or vacuum outside of the temperature range specified in the instructions. Charging improperly or at temperatures outside of the specified range may damage the battery and increase the risk of fire.
- Environment Requirements: The vacuum or the battery pack should be stored only in a temperature range of -4°–95°F / -20°–35°C, and used and charged only in a range of 39°–104°F / 4°–40°C.

## SAVE THESE INSTRUCTIONS

**NOT FOR COMMERCIAL USE  
HOUSEHOLD USE ONLY**

## GETTING TO KNOW YOUR VACUUM

- |                                      |                                  |                               |
|--------------------------------------|----------------------------------|-------------------------------|
| <b>A.</b> Handle                     | <b>H.</b> Vacuum Cushions        | <b>P.</b> Dust Door Release   |
| <b>B.</b> On/Off Button              | <b>I.</b> Roller Brush           | <b>Q.</b> 2-in-1 Brush Nozzle |
| <b>C.</b> Vacuum Body                | <b>J.</b> Brush Lock             | <b>R.</b> Crevice Nozzle      |
| <b>D.</b> Release Button             | <b>K.</b> Dust Bin               | <b>S.</b> Wall Mount          |
| <b>E.</b> Stick                      | <b>L.</b> Cup Filter             | <b>T.</b> Cleaning Brush      |
| <b>F.</b> Vacuum Head Release Button | <b>M.</b> Inner Dust Bin Chamber | <b>U.</b> Charger             |
| <b>G.</b> Vacuum Head                | <b>N.</b> Charging Port          |                               |
|                                      | <b>O.</b> Disc Filter            |                               |



# USING YOUR VACUUM

1. Unpack the vacuum and make sure all parts are included.
2. Attach the vacuum head to the bottom of the stick and attach the vacuum body to the top [Figure 1.1].
3. Slide the On/Off button forward to turn the vacuum on. Slide the button to Stage I for hard floors or small area rugs, or slide to Stage II for carpets [Figure 1.2].
4. Slide the On/Off button back completely to turn the vacuum off [Figure 1.2].

**Note:** Regularly check to make sure the vacuum cushions and the roller brush are clean to avoid scratching sensitive floors or walls.

## Light Chart

Status	Description
5 solid lights	Battery is fully charged
3 solid lights	Battery is at 50% capacity
1 blinking light	Battery is almost empty
No light	Battery is empty

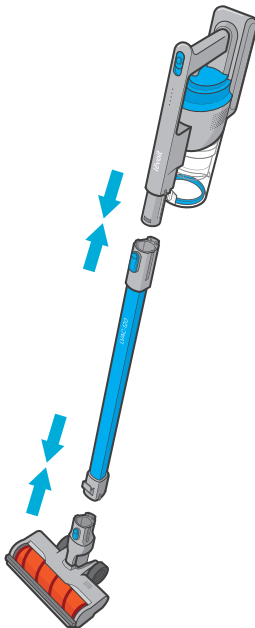


Figure 1.1

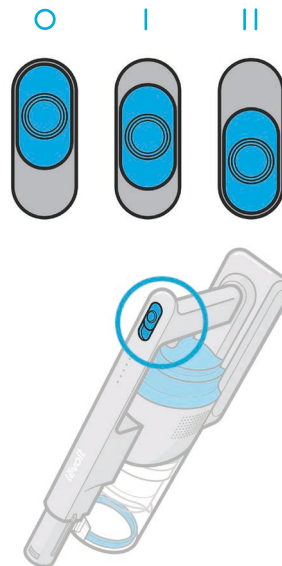


Figure 1.2

## Nozzles

Your vacuum comes with attachments to help you tackle almost any cleanup job. To use an attachment:

1. Press and hold the vacuum body release button and gently pull the vacuum body from the stick [\[Figure 2.1\]](#).
2. Slide the crevice nozzle or 2-in-1 brush nozzle onto the vacuum body [\[Figure 2.2\]](#).
3. Optionally, leave the stick attached to the vacuum body and press the vacuum head release button to remove the vacuum head. Then, attach the nozzle or brush to the end of the stick [\[Figure 2.3\]](#).

**Note:** You can also attach the vacuum body directly to the vacuum head [\[Figure 2.4\]](#).

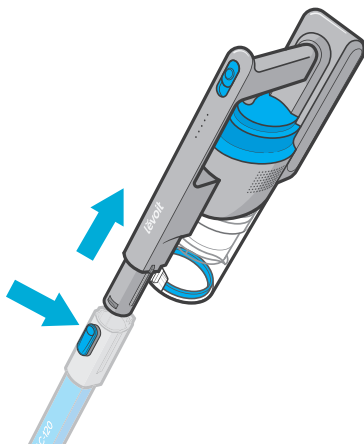


Figure 2.1

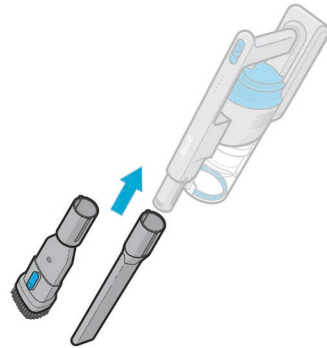


Figure 2.2

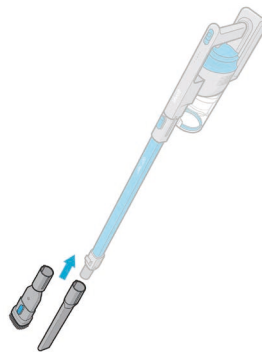


Figure 2.3

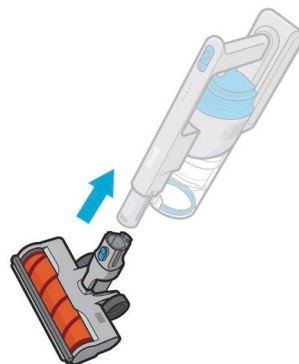


Figure 2.4

# CARE & MAINTENANCE

## Charging the Vacuum

Your vacuum uses a DC 22.2V, 2200mAh Li-ion battery and on a full charge, lasts 20 minutes on Stage II and 40 minutes on Stage I. Use the included charger to charge the vacuum.

**Note:** Make sure the vacuum is turned off before charging.

1. Insert the charger into the charging port.
2. Plug the charger into an outlet. The indicator lights will blink while charging.

**Note:**

- Charging time is about 5 hours.
- The charger may be warm during charging. This is normal.

3. When the vacuum has fully charged, the indicator lights will stay on for 3–5 minutes. They will then turn off to save power.

## Cleaning the Dust Bin

1. Turn the vacuum off.
2. To empty the dust bin, remove the stick by pressing the vacuum body release button.
3. Hold the dust bin over a trash can and press the dust door release button [Figure 3.1]. Use caution, as the dust door will automatically open when the release button is pushed. Empty out debris and dirt. Then, close the dust door until you hear it click shut.
4. To wash the dust bin, remove the bin by pulling it outward [Figure 3.2].

5. Remove the inner chamber from the dust bin. Twist the top part of the inner chamber to the right, then pull up to take the chamber apart [Figure 3.3]. Empty out any remaining dirt.
6. Rinse the dust bin and inner chamber with water and dry thoroughly. Reassemble and place all parts back on the vacuum body.

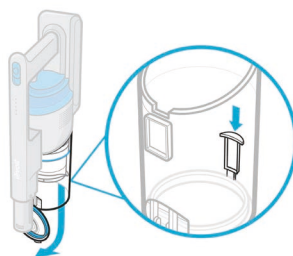


Figure 3.1



Figure 3.2

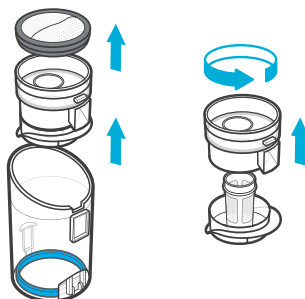


Figure 3.3

## Cleaning the Filters

To clean the disc filter, rinse with water and allow to dry completely before replacing inside the dust bin. The disc filter should be cleaned once a month.

To clean the cup filter, pull out any hair or pet fur trapped in the cup. Then, replace inside the dust bin. The cup filter should be cleaned every 2–3 uses.

### Note:

- *The disc filter should be replaced every 6–8 months.*
- *To maintain the performance of your vacuum, **only** use official Levoit filters. To buy replacement filters, visit Levoit's online store. Go to [levoit.com](https://www.levoit.com) for more information.*

## Cleaning the Wheel Axles

Use the cleaning brush to remove any dirt or trapped hair from the wheel axles. If necessary, carefully cut away any tangled hair with scissors or a sharp knife.

## Cleaning the Roller Brush

Periodically clean the roller brush to avoid blockage or jamming.

1. Turn the vacuum off. Detach the vacuum head from the stick by pressing the vacuum head release button.
2. Use a coin to unlock the roller brush by turning the brush lock counterclockwise until the slot is vertical. Pull the roller brush out [Figure 4.1].
3. Carefully use a pair of scissors or a sharp knife to remove any hair tangled around the roller brush.
4. Replace the roller brush and use the coin to turn the brush lock clockwise until the slot is horizontal.

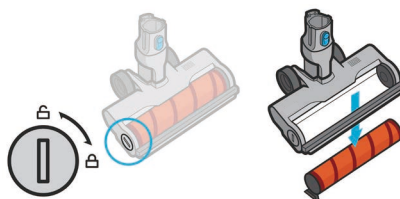


Figure 4.1

## Storage

There are 2 ways to store your vacuum.

### To use the wall mount:

1. Install the wall mount by screwing it into the wall [Figure 5.1].
2. Hang the vacuum on the wall mount [Figure 5.1].

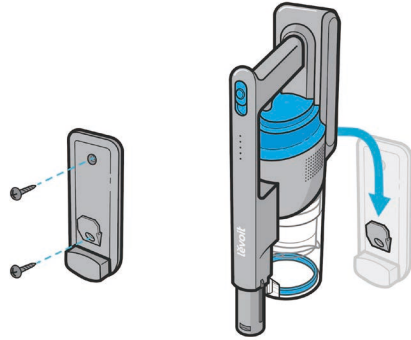


Figure 5.1

### To store on the ground:

3. Place the roller brush on flat ground and attach the stick. Lock the stick into the standing position [Figure 5.2].
4. Take the vacuum body, remove any attachments, and store the vacuum body on top of the vacuum head by hanging it on the hook near the bottom of the stick [Figure 5.2].

#### Note:

- **Always** store the vacuum on flat ground. If the vacuum is stored on a slanted surface it may fall and be damaged.
- If storing for long periods of time, periodically charge the battery to preserve the life of the battery.

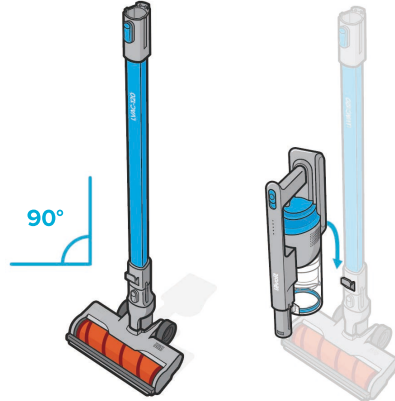


Figure 5.2

## TROUBLESHOOTING

Problem	Possible Solution
<b>Vacuum will not turn on.</b>	Slide On/Off button to either Stage I or Stage II (see <a href="#">Using Your Vacuum</a> , page 7).
	Recharge the vacuum (see <a href="#">Charging the Vacuum</a> , page 9).
<b>Vacuum isn't charging.</b>	Make sure the charger is plugged into the vacuum and outlet correctly (see <a href="#">Charging the Vacuum</a> , page 9).
<b>Vacuum has low suction power.</b>	Recharge the battery to full charge (see <a href="#">Charging the Vacuum</a> , page 9).
	Roller brush may have hair tangled around it. Clean the roller brush (see <a href="#">Cleaning the Roller Brush</a> , page 10).
	Empty the dust bin (see <a href="#">Cleaning the Dust Bin</a> , page 9).

If your problem is not listed, please contact [Customer Support](#) (see page 14).

# WARRANTY INFORMATION

Product Name	Cordless 2-in-1 Stick Vacuum Cleaner
Model	LVAC-120
Default Warranty Period	1 year
<i>For your own reference, we strongly recommend that you record your order ID and date of purchase.</i>	
Date of Purchase	
Order ID	

## Terms & Policy

Arovast Corporation warrants all products to be of the highest quality in material, craftsmanship, and service, effective from the date of purchase to the end of the warranty period.

Arovast Corporation will replace any product found to be defective due to manufacturer flaws based on eligibility. Refunds are available within the first 30 days of purchase. Refunds are only available to the original purchaser of the product. This warranty extends only to personal use and does not extend to any product that has been used for commercial, rental, or any other use in which the product is not intended for. There are no warranties other than the warranties expressly set forth with each product.

This warranty is non-transferrable. Arovast Corporation is not responsible in any way for any damages, losses, or inconveniences caused by equipment failure by user negligence, abuse, or use noncompliant with the user manual or any additional safety, use, or warnings included in the product packaging and manual.

### **This warranty does not apply to the following:**

- Damage due to abuse, accident, alteration, misuse, tampering, or vandalism.
- Improper or inadequate maintenance.
- Damage in return transit.
- Unsupervised use by children under 18 years of age.

Arovast Corporation and its subsidiaries assume no liability for damage caused by the use of the product other than for its intended use or as instructed in the user manual. Some states **do not** allow this exclusion or limitation of incidental or consequential losses so the foregoing disclaimer may not apply to you. This warranty gives you specific legal rights and you may also have other rights which may vary from state to state.

**ALL EXPRESSED AND IMPLIED WARRANTIES, INCLUDING THE WARRANTY OF MERCHANTABILITY, ARE LIMITED TO THE PERIOD OF THE LIMITED WARRANTY.**

## Additional 1-Year Warranty

You can extend your 1-year warranty by an additional year. Log onto [www.levoit.com/warranty](http://www.levoit.com/warranty) to register your new product for the extended warranty.

Please fill out all required fields and include your order ID, place of purchase, and purchase date, if applicable.

## Defective Products & Returns

If you discover your product is defective within the specified warranty period, please contact Customer Support via [support@levoit.com](mailto:support@levoit.com) with a copy of your invoice and order ID. **DO NOT** dispose of your product before contacting us. Once our Customer Support Team has approved your request, please return the product with a copy of the invoice and order ID.

## CUSTOMER SUPPORT

If you have any questions or concerns about your new product, please contact our helpful Customer Support Team.

### **Arovast Corporation**

1202 N. Miller St., Suite A  
Anaheim, CA 92806

**Email:** [support@levoit.com](mailto:support@levoit.com)

**Toll-Free:** (888) 726-8520

### Support Hours

Mon–Fri, 9:00 am–5:00 pm PST/PDT

\*Please have your order invoice and order ID ready before contacting Customer Support.

Connect with us @LevoitLifestyle



# lěvoit

[levoit.com](http://levoit.com)

AU1019AL-M1.1\_0919LVAC-120