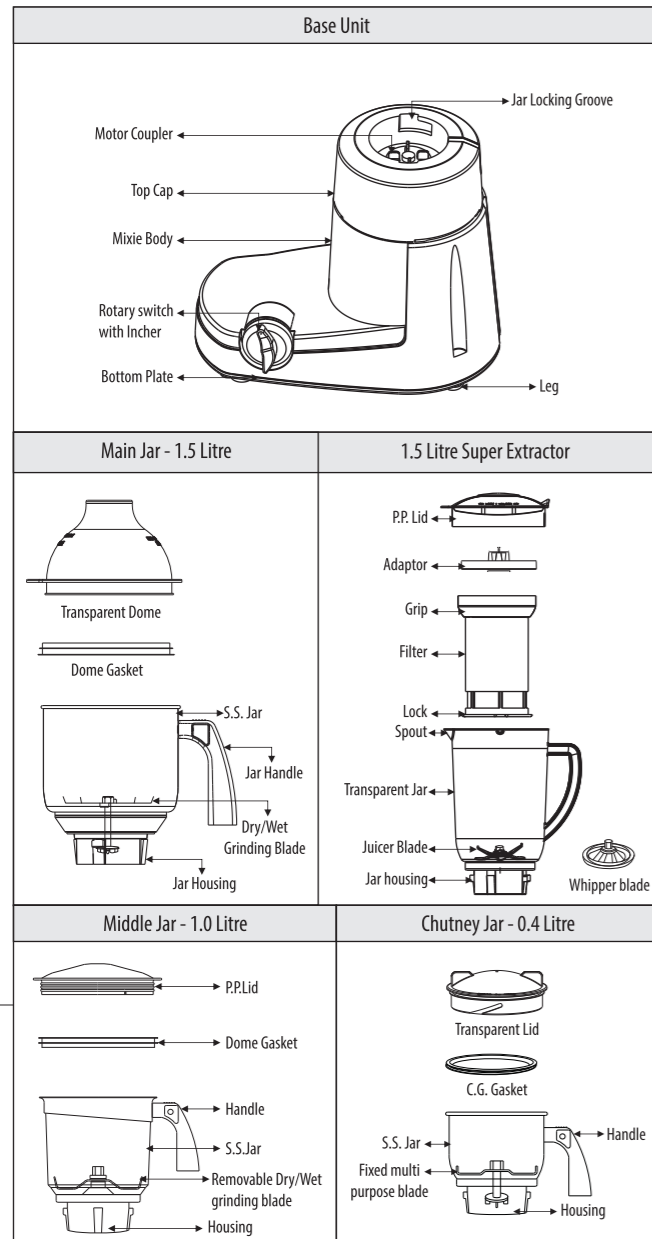


Know your Preethi Eco plus



Note:
Jar Placing : Place the Jar on the Top Cap, Ensuring that the locks fit properly in the Jar locking Grooves of the Top Cap.
Dome : Ensure that the Dome Gasket is properly fitted and hold Dome gently while operating
Speed Control : Turn Rotary Switch clockwise for speed 1,2 or 3 as desired. Inching - Turn Rotary Switch anti-clockwise for a few seconds and release or momentary operation. (Inching is especially useful for wet grinding of chutneys, mincing meat, grating vegetables, crushing ice, etc.,)

Caution: This appliance is not intended for use by persons (Including children) with reduced physical, sensory or mental capabilities, or lack of experience and knowledge, unless they have been given supervision or instruction concerning use of the appliance by a person responsible for their safety. Children should be supervised to ensure that they do not play with the appliance. PREETHI is provided with PVC insulated 3 Core, Flexicord with Plugtop & earthing. Plug the Power Cord to a 230 V ~ 50 Hz supply only. If the supply cord is damaged, it must be replaced by the manufacturer or its authorised service agent only in order to avoid a hazard.

Thermal Overload Protector

1. T.O.P. is provided with motor & not at the bottom of mixie.
2. Your Mixie is protected from overload and voltage fluctuations.
3. If your Mixie stops during usage,
 - a. First SWITCH OFF MIXIE.
 - b. Decrease load in Jar, by removing some material.
 - c. Restart after 20 mins.

CAUTION: If you do not Switch Off the Mixie, it will automatically restart and can cause damage. Never put your hand inside the Jar, without switching off the Mixie.

Jars & Blade Description:

 Fixed Dry / Wet Grinding Blade: Dry Grind, Wet Grind & Liquidise	 Juicer Blade: Extract, Liquidise & Juice, Whipper Balde: Whip & Churn
 Removable Dry / Wet Grinding Blade: Dry Grind, Wet Grind, Liquidise & Crush Ice	 Fixed Multipurpose Blade: Dry/Wet Grind small quantities

Grinding Instructions:

ROASTED CEREALS, RAW RICE, DAL, CHILLI POWDER, GARAM MASALA, DHANIYA JEERA POWDER, CURRY LEAF POWDER, COFFEE POWDER, SAMBAR / RASAM POWDER....

- ▶ Ensure Blade, Jar, Lid and ingredients are totally dry.
- ▶ Run on Speed 3.
- ▶ If you need finer powder, wait for 1 minute and grind again for 1 to 2 minutes.

IDLI, DOSA, UTHAPPAM, APPAM, PESARATTU, VADAI...

- ▶ Soak Rice/Dal for 4 to 5 hours or as required.
- ▶ Drain water from ingredients.
- ▶ Run on Speed 3 adding water gradually when required.
- ▶ If Material sticks to the sides of the Jar, stop and stir using Stirrer, run again.
- ▶ Ensure free circulation by adding enough water.
- ▶ Do not allow batter to get heated up.
- ▶ Do not add too much water, where thick paste is required.
- ▶ Grind twice if quantity is more.

Note: While wet grinding tough batter, air bubbles may enter the paste. This will result in the blade rotating freely and an increase in noise. If so, stop, stir the paste and restart.

COCONUT, TOMATO, ONION, CORIANDER, MINT CHUTNEY

- ▶ Inch 5 to 7 times to powder ingredients.
- ▶ Then add water as required.
- ▶ Grind on Speed 3

VEGETABLE, FRUIT JUICES... LASSI, COCONUT MILK, TAMARIND EXTRACTION, MILK SHAKES, EGG WHIPPING & BUTTER CHURNING...

- ▶ The juicer Blade and Filter should be for extraction and juicing.
- ▶ The Whipper Blade can be used only for whipping / churning.
- ▶ For whipping/churning run on Speed 1 only.

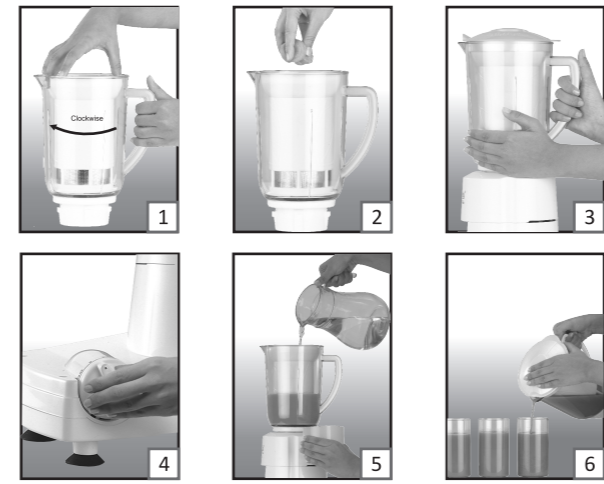
Cleaning the Mixer Body and Top Cap

1. Clean Body and Top Cap with a damp cloth and wipe dry.
2. Do not use abrasives or water for cleaning.

Cleaning the Stainless Steel Jars and Blades

1. Fill in ½ litre of water and a teaspoon of any mild cleaning powder.
2. Run the Mixie on Speed 1 for 30 seconds, leaving the Blade fixed to the Spindle of the Stainless Steel Jar.
3. Rinse and dry.
4. Always store Jars in inverted position to allow water to drain off.

How to use your Super Extractor:



- Fig.1. Align filter grip to jar spout and lock filter onto the Jar by turning clockwise.
- Fig.2. Put ingredients into Filter. (If you are making fruit cocktail, you can put in different fruits such as apple, pineapple, lemon juice with mint leaved & sugar together).
- Fig.3. Place Adaptor on filter and close lid firmly on to the lock of Jar by rotating lid in clock wise ensuring that lid blending end is aligned to Jar spout as shown in the picture. Place the Jar assembly on Top Cap ensuring that the jar base locks fit properly in the locking Grooves of the Top cap.
- Fig.4. Inch 7 to 10 times till ingredients are shredded.
- Fig.5. Open the lid, remove Adaptor, add required amount of water, (Do not exceed the max. indicated level) replace Adaptor, close lid and run on speed 3. Second extraction is possible for coconut milk (For tamarind extract, remove seeds before extraction).
- Fig.6. Remove jar assembly from Mixie by turning the Jar anti-clockwise and lifting the jar off the top cap. Align the pouring side of the lid to the jar spout and pour juice from the jar (The pulp stays in the filter.)

NOTE: For butter churning, egg whipping, lassi...use Whipper Blade without Filter. Turn Lid opening to face away from Jar.

Do's

1. When operating the Mixie for the first time or after long storage or when the Mixie has been shifted over a long distance, rotate the Motor Shaft by hand through the Motor Coupler, until the Motor Shaft rotates freely.
2. Unplug from power socket before fixing, removing attachments and also while cleaning or when not in use.
3. Ensure that the locks of the Stainless Steel Jar are properly seated in the jar locking grooves provided inside the Top Cap and Dome is fixed properly on the Jar before starting the mixie.
4. Ensure Blade is fitted properly before running.
5. In Super Extractor -When using filter always use the adaptor

Don'ts

1. Do not touch moving parts, while operating Mixie.
2. Do not overload Mixie. When hot air emanates from opening on the Top Cap, switch off the Motor and wait for 3 minutes, before re-starting.
3. Do not remove Dome/Lid and add solid ingredients, when the Motor is running.
4. Do not operate with damaged Power Cord.
5. Do not tamper or attempt to repair Mixie on your own, Contact nearest "Preethi Customer Care Centre."
6. Do not grind hot ingredients in the Mixie.
7. Do not use the Mincer Blade for operations other than mincing.
8. Do not run the Mixie without Dome.
9. Do not seat the Jar when the Switch is in "ON" Condition.
10. Never put your hand inside the Jar, without switching OFF the Mixie.
11. In Super Extractor - Do not run without locking Filter properly.
12. In Super Extractor - Do not Filter with sharp objects while cleaning.

In the event your Mixie needs further attention, take it to one of our Customer Care Centres.

Preethi
ECO Plus

GUARANTEE CARD

Model No. **MG 157**

Serial No. _____
 Date Sold _____

Purchaser's Name and Address _____

 Dealer's Name & Address _____

Signature: _____ Stamp: _____

TERMS & CONDITIONS OF GUARANTEE AND SERVICE POLICY

01. Retain the original sale bill and the Guarantee Card, which should be shown to our Service Personnel for Scrutiny while sending your Mixie for service to our Customer Care Centre.
02. The Two Year Guarantee does not cover damage to the Mixie due to mishandling, negligence, breakage or cracking of transparent Jars, Domes, Lids, Mixie Body and Cap and denting of Stainless Steel Jar.
03. All repairs (arising from manufacturing defects) within the Two Year Guarantee period will be done 'Free of Charge'. Our Customer Care Centres will not charge you for components or labour.
04. Free service and replacement under guarantee does not affect the expiry date of the guarantee.
05. For repairs after the expiry of the guarantee period our Customer Care Centre will charge for the cost of components replaced. There will be no labour charges and life long free service will be provided.
06. The Guarantee is valid only in the country of purchase.
07. Defective components which are exchanged both under 'Chargeable' & 'Free of Charge' basis, become the property of the Company.
08. You are entitled to a free check up every 6 months with any of our Customer Care Centres listed in this Manual.
09. If the Mixie is tampered with or opened by any unauthorised person, the guarantee is void.
10. Guarantee is void if the Mixie is used for any purpose other than domestic use.

Preethi
ECO Plus

Model No. **MG 157**

YOUR COMMENTS on the performance of your Mixie and suggestions for product improvement.
 IN CASE OF COMPLAINTS write to us directly or call Tel. No.: 91-44-2432 8822 (Chennai).

 Sender's Name and Address (in BLOCK LETTERS): _____

Preethi
ECO Plus

SALE DETAILS

Model No. **MG 157**

Serial No. _____
 Date Sold _____

Purchaser's Name and Address _____

(To be returned to us through our dealer)