

# **POWER-FLO® PRO 2800**

## **1/2 HP AIRLESS SPRAY GUN**

**⚠WARNING** TO REDUCE THE RISK OF INJURY, USER MUST READ AND UNDERSTAND INSTRUCTION MANUAL.

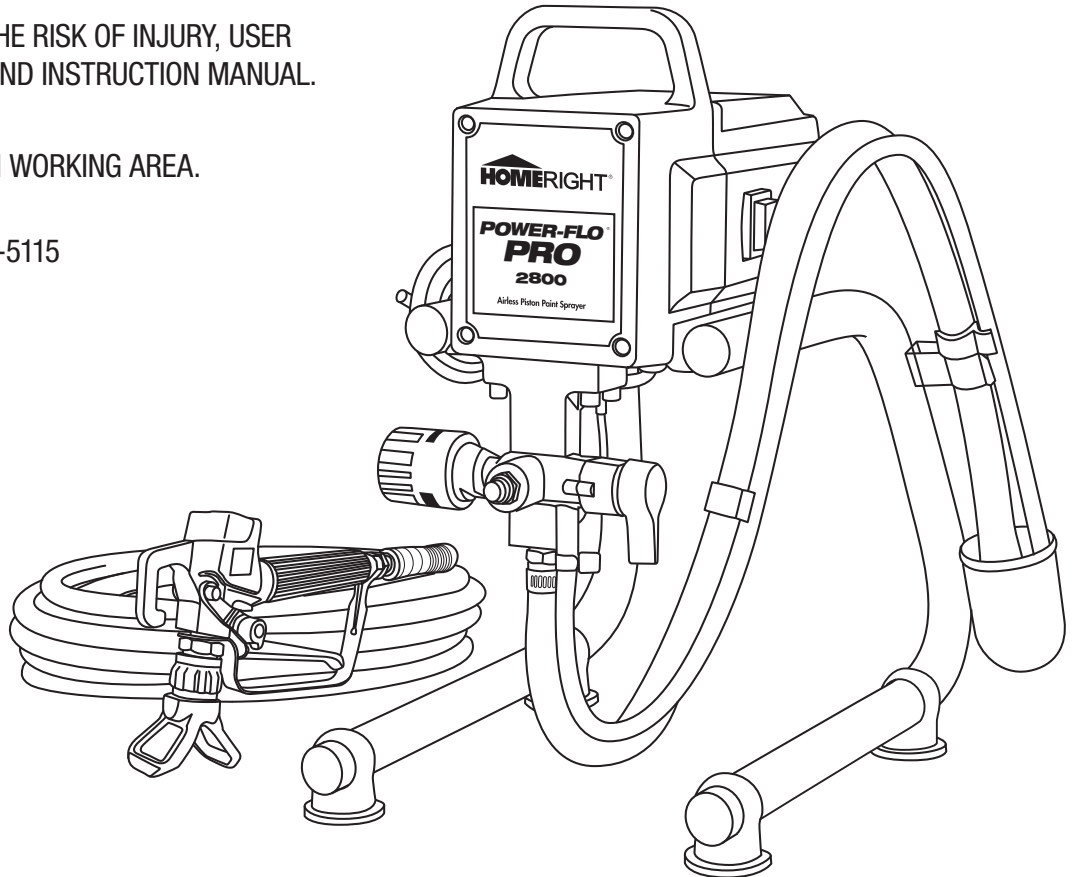
FOR HOUSEHOLD USE ONLY.

KEEP CHILDREN AWAY FROM WORKING AREA.

For Customer Service Call:

1-800-264-5442 or 763-780-5115

8 a.m. to 5 p.m. CST.



### **PISTOLA ROCIADORA SIN AIRE POWER-FLO PRO 2800 1/2 HP**

**⚠ADVERTENCIA** PARA DISMINUIR LOS RIESGOS DE LESIONES, EL USUARIO DEBE LEER Y ENTENDER EL MANUAL DE INSTRUCCIONES.

SÓLO PARA USO DOMÉSTICO.

MANTENGA A LOS NIÑOS LEJOS DEL ÁREA DE TRABAJO.

Para comunicarse con el departamento de servicio al cliente, llame al: 1-800-264-5442 o 763-780-5115

de 8 a.m. a 5 p.m. hora del Centro de los Estados Unidos.

### **PISTOLET PULVÉRISATEUR SANS AIR COMPRIMÉ POWER-FLO PRO 2800 1/2 HP**

**⚠AVERTISSEMENT** POUR RÉDUIRE LES RISQUES DE BLESSURE, L'UTILISATEUR DOIT LIRE ET COMPRENDRE LE MANUEL D'INSTRUCTION.

DESTINÉ À UN USAGE DOMESTIQUE SEULEMENT.

TENEZ LES ENFANTS ÉLOIGNÉS DE L'AIRE DE TRAVAIL.

Pour le service à la clientèle, appelez au :

1-800-264-5442 ou 763-780-5115

8 h à 17 h, heure normale du Centre.



**Register Online Today  
To Activate Your Two-Year Warranty**

Go online at [www.homeright.com](http://www.homeright.com) or scan the QR Code to the left. See back page for warranty details.

# Table of Contents

|   |    |
|---|----|
| <b>IMPORTANT SAFEGUARDS</b> .....             | 3  |
| △ Warnings .....                              | 3  |
| Grounding Instructions.....                   | 5  |
| Extension Cords .....                         | 5  |
| <b>PARTS LIST</b> .....                       | 6  |
| <b>FAST START QUICK REFERENCE GUIDE</b> ..... | 7  |
| <b>HOW TO USE</b> .....                       | 8  |
| Unpacking.....                                | 8  |
| Operating.....                                | 9  |
| Start Up .....                                | 11 |
| Tips.....                                     | 11 |
| <b>MAINTENANCE &amp; SERVICING</b> .....      | 12 |
| Clean Up Instructions.....                    | 13 |
| Storing.....                                  | 13 |
| Winterize and Long Term Storage .....         | 14 |
| <b>TROUBLESHOOTING</b> .....                  | 15 |
| <b>TWO-YEAR LIMITED WARRANTY</b> .....        | 44 |

# IMPORTANT SAFEGUARDS

## SAVE THIS MANUAL

Keep this manual for the safety warnings and precautions, assembly, operating, inspection, maintenance and cleaning procedures. Write the product's serial number in the back of the manual (or month and year of purchase if product has no number), Keep this manual and the receipt in a safe and dry place for future reference.

## IMPORTANT SAFETY INFORMATION

In this manual, on the labeling, and all other information provided with this product:

The safety alert symbol is used to alert you to potential personal injury hazards. Obey all safety messages that follow this symbol to avoid possible injury or death.

⚠ **DANGER** indicates a hazardous situation which, if not avoided, will result in death or serious injury.

⚠ **WARNING** indicates a hazardous situation which, if not avoided, could result in death or serious injury.

⚠ **CAUTION**, used with the safety alert symbol, indicates a hazardous situation which, if not avoided, could result in minor or moderate injury.

**NOTICE** is used to address practices not related to personal injury.

**CAUTION** without the safety alert symbol, is used to address practices not related to personal injury.

Read all safety warnings and instructions. Failure to follow the warnings and instructions may result in electric shock, fire and/or serious injury. Save all warnings and instructions for future reference. The term "power tool" in the warnings refers to your line-operated (corded) 1/2 HP Airless Spray Gun.

## ⚠ WARNINGS

### Work Area Safety

- Keep work area clean and well lit. Cluttered or dark areas invite accidents.
- Do not operate power tools in explosive atmospheres, such as in the presence of flammable liquids, gases or dust. Power tools create sparks which may ignite the dust or fumes.
- Keep children and bystanders away while operating a power tool. Distractions can cause you to lose control.

### Electrical Safety

- Power tool plugs must match the outlet. Never modify the plug in any way. Do not use any adapter plugs with grounded power tools. Unmodified plugs and matching outlets will reduce risk of electric shock.
- Avoid body contact with grounded surfaces such as pipes, radiators, ranges and refrigerators. There is an increased risk of electrical shock if your body is grounded.
- Do not expose power tools to rain or wet conditions. Water entering a power tool will increase the risk of electrical shock.
- Do not abuse the power cord. Never use the cord for carrying, pulling or unplugging the power tool. Keep cord away from heat, oil, sharp edges or moving parts. Damaged or entangled cords increase the risk of electric shock.

- When operating a power tool outdoors, use an extension cord (not included) suitable for outdoor use. Use of a cord suitable for outdoor use reduces the risk of electric shock.

### Personal Safety

- Stay alert, watch what you are doing and use common sense when operating a power tool. Do not use a power tool while you are tired or under the influence of drugs, alcohol or medication. A moment of inattention while operating power tools may result in serious personal injury.
- Use personal protective equipment. Always wear eye protection. Safety equipment such as dust mask, and non-skid shoes will reduce the risk of personal injuries.
- Prevent unintentional starting. Ensure the switch is in the off position before connecting to power source.
- Do not overreach. Keep proper footing and balance at all times. This enables better control of the power tool in unexpected situations.
- Dress properly. Wear protective clothing as required by coating manufacturer.
- Only use safety equipment that has been approved by an appropriate standards agency. Unapproved safety equipment may not provide adequate protection. Eye protection must be ANSI-approved and breathing protection must be NIOSH-approved for the specific hazards in the work area.

### Specific Safety Warnings

- Maintain labels and nameplates. These carry important safety information.
- Always wear ANSI-approved safety goggles and NIOSH-approved ventilator or face mask. Some face masks, such as paper filters, provide only limited protection against harmful sprays and fumes. Refer to the safety documents provided with the materials you are spraying or an industrial safety expert when determining the appropriate respiratory protection.
- Wear heavy duty workgloves, NIOSH-approved hearing protection, long-sleeved shirts, full length jeans and non-skid safety shoes.
- This high-pressure airless sprayer is capable of producing 3,000 PSI and is capable of injecting toxins into the body and cause serious injury. In the event accidental injection occurs, seek medical attention immediately.
- Never point or spray toward any person or animal.
- Never place your hands, fingers or any part of your body in front of the spray nozzle if the spray gun is not disconnected and depressurized.
- Test spray on scrap material before spraying work material. High pressure spray may damage persons or property.
- Always use the Nozzle Tip Guard. Never spray without the Guard in place. Only use a Nozzle Tip specified by the manufacturer. Always relieve pressure before removing the Nozzle Tip to clean.
- Do not leave the unit energized or under pressure while unattended. When the unit is not in use, turn off the unit and relieve the pressure.
- Always engage the Trigger Lock when not spraying. Make sure the Trigger Lock is functioning properly.
- Make sure all connections are secure before operating the unit.

# IMPORTANT SAFEGUARDS

- Always check the Hose for damage. Replace the Hose if damaged. Do not kink or excessively bend the Hose.
- Route hoses and cables away from traffic areas, sharp edges, moving, parts, and hot surfaces.
- Never spray materials near fire, flames, electrical sparks, or any other ignition source. Never smoke when spraying or in the vicinity of spraying. Never smoke unless the area has been thoroughly aired out. Always provide good ventilation. Vent during and after spraying to eliminate any enclosed explosive atmosphere
- Read and understand the instructions and precautions provided by the manufacturer of each paint/solvent before using the sprayer. Never spray the solvents listed below in any Sprayer containing aluminum:
  - 1, 1, 1-Trichloroethane
  - Methylene Chloride
  - Halogenated hydrocarbons
- Never spray the solvents mentioned above in any Sprayer containing aluminum. Never use these solvents for cleaning equipment. Never use any solvent if in doubt if its composition or compatibility with aluminum, other materials or this Airless Sprayer. Such use can cause serious chemical reaction and equipment rupture, resulting in property damage and/or personal injury.
- If used with only water-based materials, do not spray or clean with flammable liquids.
- If used with only water-based or mineral spirit-type materials with a minimum flash point of 69.8° Fahrenheit, do not spray or clean with liquids having a flash point less than 69.8° Fahrenheit.
- Paint or solvent flowing through the equipment is capable of producing static electricity. Static electricity creates a risk of fire or explosion in the presence of paint or solvent fumes.
- All parts of the Airless Sprayer and objects in and around the spray area must be properly grounded to protect against static discharge and sparks.
- Use only conductive metal containers placed on a grounded surface such as concrete. Do not place the container on a non-conductive surface such as paper or cardboard, which interrupts grounding continuity. Always connect a ground wire to the container by clamping one end to the container and the other end to a ground such as a water pipe.
- To maintain grounding continuity when flushing or relieving pressure, hold the metal part of the Spray Gun firmly to the side of a grounded metal container. Then trigger the Spray Gun.
- Use only conductive or grounded high pressure airless paint sprayer hoses specified by the manufacturer.
- Make sure all containers and collection systems are grounded to prevent static discharge.
- Do not operate light switches, engines, or similar spark producing products in the spray area.
- Keep the area free of paint and solvent containers, rags, and other flammable materials.
- Always have multiple ABC class fire extinguishers nearby.
- Avoid unintentional starting. Prepare to begin work before turning on the tool.
- This unit is provided with a thermally protected reset. If an overload occurs, the reset disconnects the Motor from the power supply.
- When the thermally protected reset disconnects the Motor from the power supply, relieve pressure by turning the Pressure Adjust Knob (69A) to "OFF".
- Turn the Power Switch (33A) to its "OFF" position.
- The cause of the overload should be corrected before restarting. (See "Troubleshooting" section.)
- Press the Reset Button at the bottom of the unit.
- Turn the Power Switch (33A) to its "ON" position to restart.
- This product is not a toy. Keep it out of reach of children.
- People with pacemakers should consult their physician(s) before use. Electromagnetic fields in close proximity to heart pacemaker could cause pacemaker interference or pacemaker failure. In addition, people with pacemakers should:
  - Avoid operating alone.
  - Do not use with powerswitch locked on.
  - Properly maintain and inspect to avoid electrical shock.
  - Any power cord must be properly grounded. Ground Fault Circuit Interrupter (GFCI) should also be implemented - it prevents sustained electrical shock.
- Some dust and fumes created by painting, power sanding, sawing, grinding, drilling, and other construction activities, contains chemicals known [to the State of California] to cause cancer, birth defects, or other reproductive harm. Some examples of these chemicals are:
  - Lead from lead-based paints.
  - Crystalline silica from bricks and cement or other masonry products.
  - Arsenic and chromium from chemically treated lumber.
- Your risk from these exposures varies, depending on how often you do this type of work. To reduce your exposure, to these chemicals: work in a well ventilated area, and work with approved safety equipment, such as those dust masks that are especially designed to filter out microscopic particles, (California Health & Safety Code § 25249.5, et seq.).
- **WARNING:** The brass components of this product contain lead, a chemical known to the State Of California to cause birth defects (or other reproductive harm). (California Health & Safety Code § 25249.5, et seq.).
- **WARNING:** Handling the Power Cord (37A) on this product will expose you to lead, a chemical known to the State of California to cause cancer, and birth defects or other reproductive harm. Wash hands after handling. (California Health & Safety Code § 25249.5, et seq.).
- The warnings, precautions, and instructions discussed in this instruction manual cannot cover all that may occur. It must be understood by the operator that common sense and caution are factors which cannot be built into this product/but must be supplied by the operator.

# IMPORTANT SAFEGUARDS

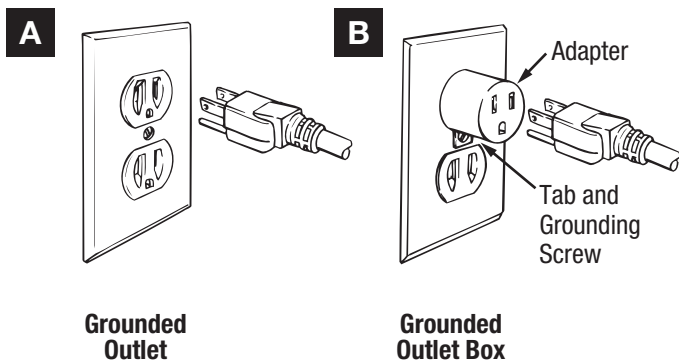
## GROUNDING

TO PREVENT ELECTRIC SHOCK AND DEATH FROM INCORRECT GROUNDING WIRE CONNECTION:

### **⚠ WARNING**

Check with a qualified electrician if you are in doubt as to whether the Outlet is properly grounded. Do not modify the Power Cord Plug provided with the tool. Never remove the grounding prong from the Plug. Do not use the tool if the Power Cord or Plug is damaged. If damaged, have it repaired by a service facility before use. If the Plug will not fit the Outlet, have a proper Outlet installed by a qualified electrician.

Figure 1



### Grounded Tools with 3-Prong Plug

- Tools marked with “Grounding Required” have a three wire cord and three prong grounding plug. The plug must be connected to a properly grounded, outlet. If the tool should electrically malfunction or break down, grounding provides a low resistance path to carry electricity away from the user, reducing the risk of electric shock. (Figure 1)
- The grounding prong in the plug is connected through the green wire inside the cord to the grounding system in the tool. The green wire in the cord must be the only wire connected to the tool’s grounding system and must never be attached to an electrically “live” terminal. (Figure 1)
- The tool must be plugged into an appropriate outlet, properly installed and grounded in accordance with all codes and ordinances. The plug and outlet should look like those in Figure 1.

## EXTENSION CORDS

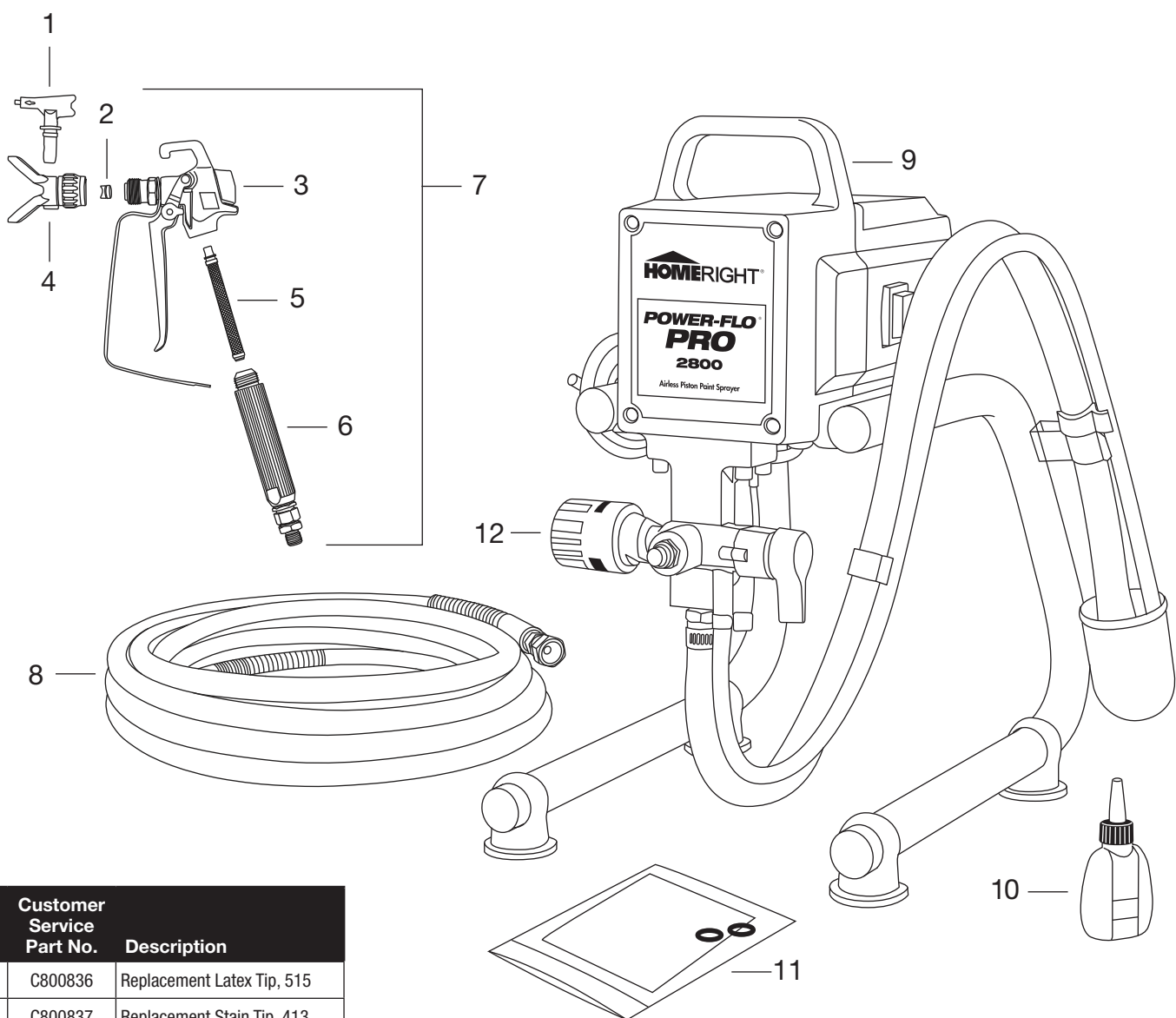
- Grounded tools require a three wire extension cord. Double Insulated tools can use either a two or three wire extension cord.
- As the distance from the supply outlet increases, you must use a heavier gauge extension cord. Using extension cords with inadequately sized wire causes a serious drop in voltage resulting in loss of power and possible tool damage. (See Table A.)
- The smaller the gauge number of the wire, the greater the capacity of the cord. For example, a 14 gauge cord can carry a higher current than a 16 gauge cord. (See Table A.)
- When using more than one extension cord to make up the total length, make sure each cord contains at least the minimum wire size required. (See Table A.)
- If you are using one extension cord for more than one tool, add the nameplate amperes and use the sum to determine the required minimum cord size. (See Table A.)
- If you are using an extension cord outdoors, make sure it is marked with the suffix “W-A” (“W” in Canada) to indicate it is acceptable for outdoor use.
- Make sure the extension cord is properly wired and in good electrical condition. Always replace a damaged extension cord or have it repaired by a qualified electrician before using it.
- Protect the extension cords from sharp objects, excessive heat, and damp or wet areas.

### Recommended Minimum Wire Gauge for Extension Cords\* (120/140 Volt)

| Nameplate Amps<br>(at full load) | Extension Cord Length |     |     |      |      |
|----------------------------------|-----------------------|-----|-----|------|------|
|                                  | 25'                   | 50' | 75' | 100' | 150' |
| 0 – 2.0                          | 18                    | 18  | 18  | 18   | 16   |
| 2.1 – 3.4                        | 18                    | 18  | 18  | 16   | 14   |
| 3.5 – 5.0                        | 18                    | 18  | 16  | 14   | 12   |
| 5.1 – 7.0                        | 18                    | 16  | 14  | 12   | 12   |
| 7.1 – 12.0                       | 18                    | 14  | 12  | 10   | —    |
| 12.1 – 16.0                      | 14                    | 12  | 10  | —    | —    |
| 16.1 – 20.0                      | 12                    | 10  | —   | —    | —    |

\*Based on limiting the line voltage drop to 5 Volts at 150% of the rated amperes.

# PARTS LIST



| Item | Customer Service Part No. | Description                     |
|------|---------------------------|---------------------------------|
| 1a   | C800836                   | Replacement Latex Tip, 515      |
| 1b   | C800837                   | Replacement Stain Tip, 413      |
| 2    | C800862                   | Saddle and Seal                 |
| 3    | Not Available             | Spray Gun Housing               |
| 4    | C806060                   | Spray Tip Guard                 |
| 5a   | C800835                   | Replacement Filter, 100         |
| 5b   | C800844                   | Replacement Filter, 50          |
| 6    | Not Available             | Gun Handle                      |
| 7    | C800863                   | Spray Gun with Swivel           |
| 8    | C800861                   | Hose                            |
| 9    | C800879                   | Power-Flo Pro 2800              |
| 10   | C817348                   | Oil                             |
| 11   | C800875                   | Pump Repair Kit                 |
| 12   | C817939                   | Regulator Assy Pressure Control |

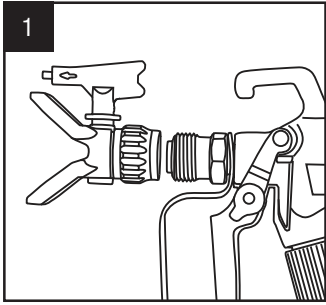
If you cannot obtain parts and accessories at your local retail dealer, call or visit [www.homeright.com](http://www.homeright.com)

Phone: 763-780-5115  
1-800-264-5442  
8:00 a.m. to 5:00 p.m. CST.

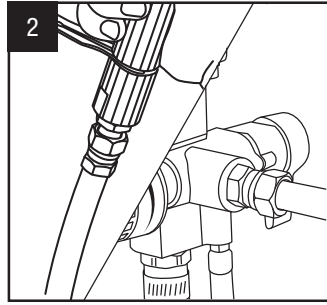
# FAST START QUICK REFERENCE GUIDE

This is only a quick reference. Read the entire instruction manual prior to using the product.

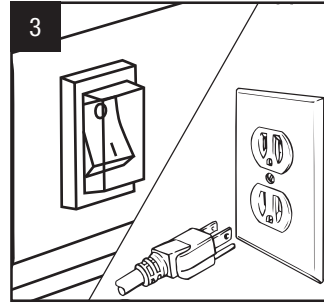
## Setup



1 Remove spray tip and guard from gun. During first use of Spray Gun, Spray Tip and Guard will be off of the Spray Gun.

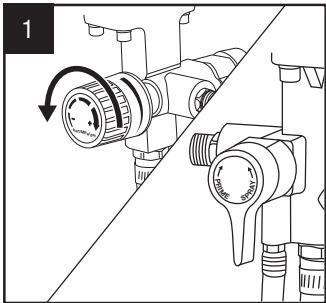


2 Connect hose to gun and sprayer.

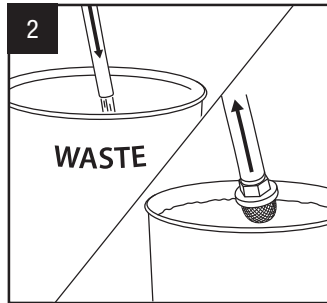


3 Turn Power Switch OFF. Plug sprayer into grounded outlet.

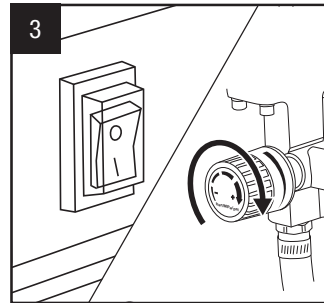
## Flushing



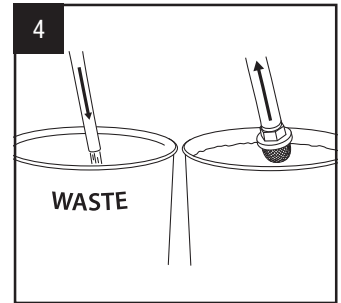
1 Turn pressure control knob counter-clockwise to minimum pressure. Turn Spray/Prime valve to PRIME.



2 Place Return Tube into waste pail. Submerge suction tube in water (water-based materials) or thinner/cleaner solution (oil-based materials.)

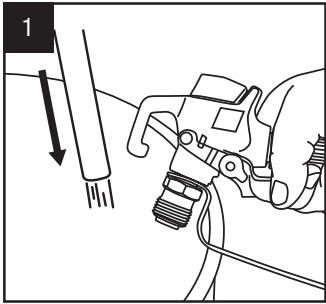


3 Turn Power Switch ON. Turn Pressure Control Knob clockwise until pump starts.

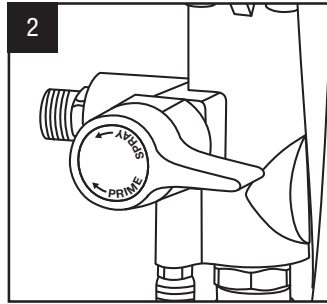


4 Allow fluid to flow out of prime tube into waste pail for 30-60 seconds. Turn power switch OFF.

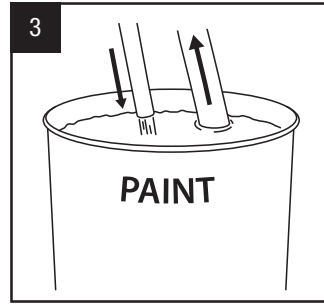
## Priming



1 Submerge suction tube in paint. Turn Power Switch ON, and trigger gun into waste pail. When paint comes out of return tube, turn Prime/Spray valve to SPRAY. When paint comes out of gun, release trigger. Pump will build up pressure and motor will stop.



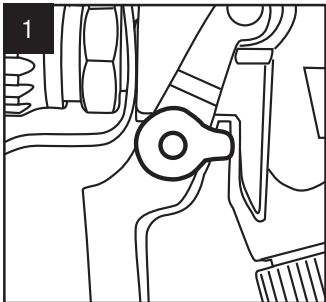
2 Transfer Return Tube to paint pail.



### BULLETIN

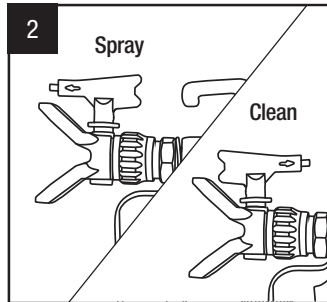
If sprayer will not prime, remove suction tube from unit and insert a screwdriver to release the inlet valve. Refer to D in the "Sprayer starts, but does not draw in paint ..." section in Troubleshooting.

## Spraying

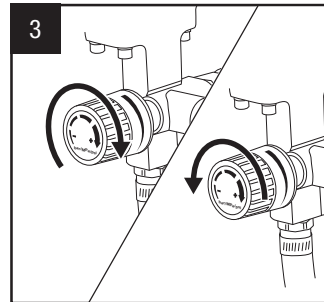


1 Put trigger safety lever in locked position.

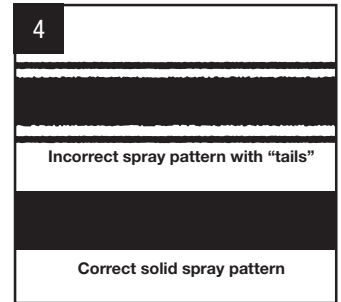
NOTE: Always lock the trigger when not in use, while performing maintenance or during set-up and cleaning.



2 Install tip and guard on gun and hand tighten. If tip clogs, reverse spray tip to quickly clear obstructions without disassembly. (Refer to Page 8 for assembly instructions)



3 Turn pressure control knob clockwise to increase pressure and counter-clockwise to decrease pressure at the gun.

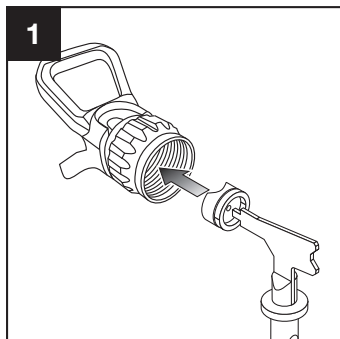
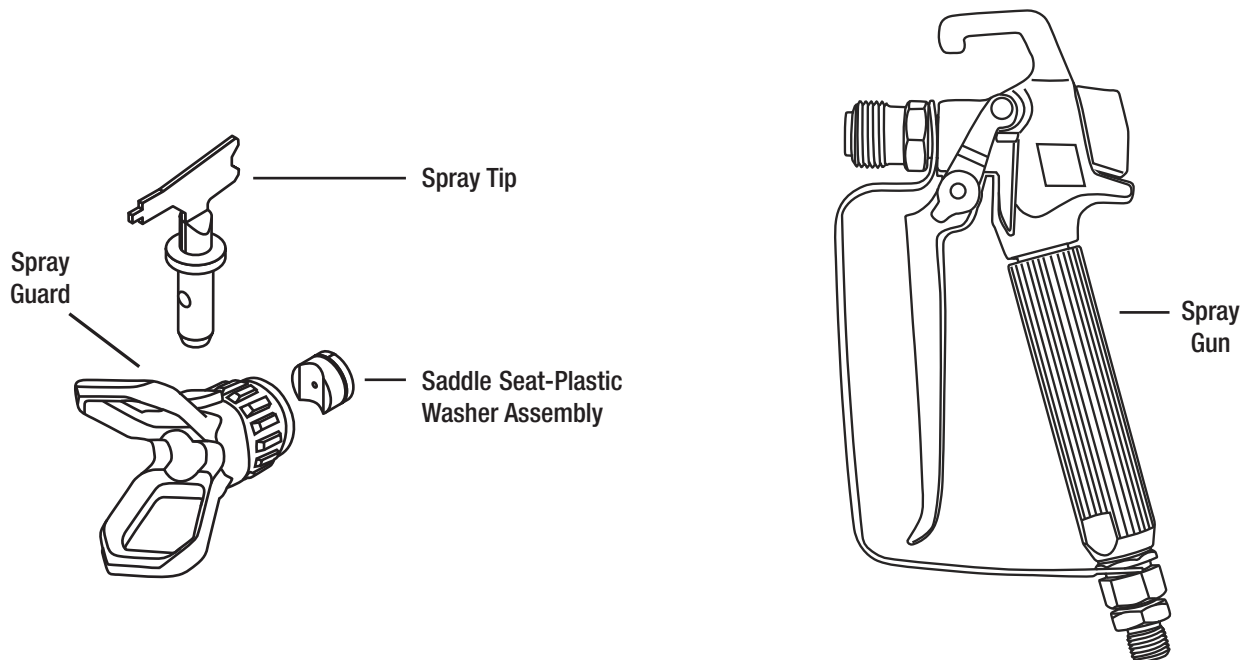


4 Unlock trigger safety lever. Point gun 12" from surface and begin moving gun before triggering. If tails persist at highest pressure, switch to smaller tip or thin material.

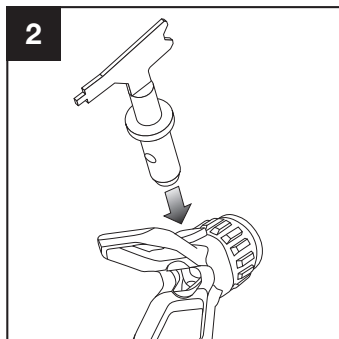
# SPRAY GUN ASSEMBLY

## POWER-FLO® PRO 2800 SPRAY GUN ASSEMBLY

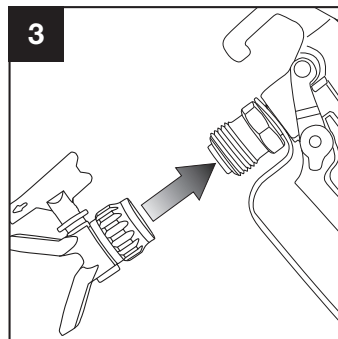
When assembling the spray gun, it is important to correctly insert the Saddle Seat-Washer assembly. The Saddle Seat has a curved section designed to align with the Spray Tip when assembled. The Saddle Seat and the plastic washer come pre-assembled.



**1** Insert Saddle Seat first into Spray Guard, as shown, with the curved part of the Saddle Seat aligned with the Spray Tip hole. Use the plastic pointer on the Spray tip to fully seat, if needed.



**2** Insert Spray Tip into Spray Guard. The curved part of the Saddle Seat should fit with the Spray Tip. Keep the Spray Guard pointing down to prevent the Saddle Seat-Washer assembly from falling out.



**3** Keeping the Spray Guard and Gun pointing down to prevent the Saddle Seat-Washer assembly from falling out, screw the Guard to the Gun and hand tighten.

Actual product may differ from image shown.

# HOW TO USE

## UNPACKING

When unpacking check to make sure that the item is intact and undamaged. If any parts are missing or broken, please call the number on the front of this manual as soon as possible.

## ASSEMBLY INSTRUCTIONS

Read the ENTIRE IMPORTANT SAFETY INFORMATION section at the beginning of this manual including all text under subheadings therein before set up or use of this product.

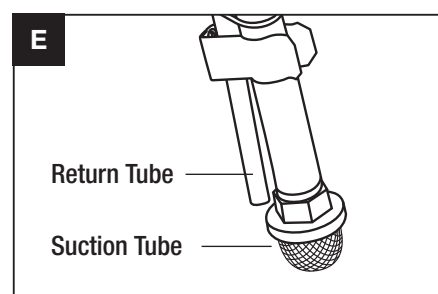
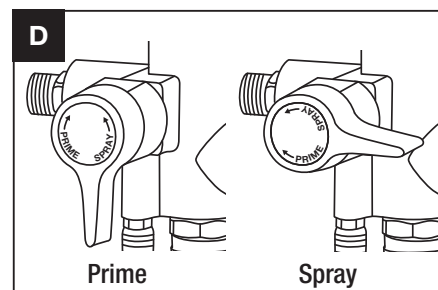
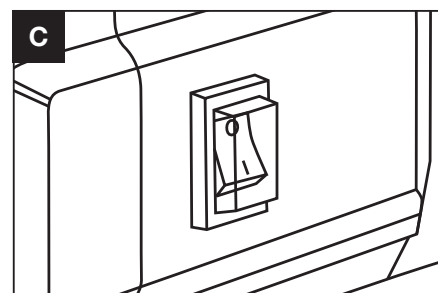
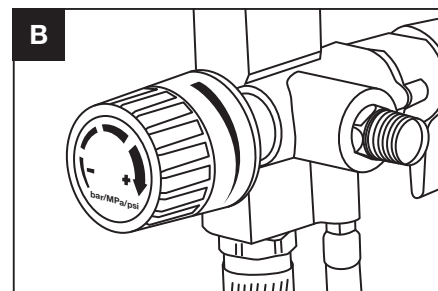
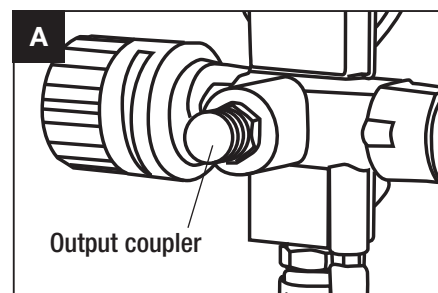
**WARNING:** To prevent serious injury from accidental operation, turn the Power Switch (Figure C) of the High Pressure Airless Sprayer to its "OFF" position and unplug the Sprayer from its electrical outlet before assembly procedures.

**NOTE:** For additional information regarding the parts listed in the following pages, refer to the Assembly Diagram near the end of this manual.

Remove the protective Plastic Cap from the Paint Output Coupler. Then attach the High Pressure Paint Hose. (Figure A) Attach spray gun to other end of hose. Tighten with wrench. Do not attach spray tip and guard.

## PRODUCT FEATURES

- **Pressure Control Knob:** The Pressure Control Knob controls the output pressure of paint. Turn the Knob clockwise to increase pressure and counterclockwise to decrease pressure. (Figure B)
- **Power Switch:** Press to turn the Sprayer on or off. (Figure C)
- **Prime/Spray Knob:** Turn the Prime/Spray Knob horizontally to run the Sprayer. Turn the knob vertically to run the Sprayer in its prime/clean" mode. (Figure D)
- **Output Coupler:** The Spray Gun Hose connects to the paint Output Coupler. (Figure A)
- **Suction Tube:** The Suction Tube sucks paint from the container into the Spray Gun. (Figure E)
- **Return Tube:** When system pressure is released or when priming pump, the paint flows from the Return Tube. (Figure E)



# HOW TO USE

IMPORTANT SAFETY INFORMATION section at the beginning of this manual including all text under subheadings therein before set up or use of this product.

## Preparing a New Sprayer

Always keep the trigger lock on the spray gun in the locked position while preparing the system. (Figure F)

- Place the suction tube into a container of soapy water.
- Place the return tube into a metal waste container.
- Turn Pressure Control Knob all the way left (counter-clockwise) to minimize pressure. (Figure B, page 9)
- Move the Prime/Spray valve down to the Prime position.
- Turn the unit on by moving the On/Off switch to On. (Figure C, page 9)
- Turn Pressure Control Knob to right to start pump.
- Allow the sprayer to run for 15-30 seconds to flush the test fluid out through the return hose and into the waste container.
- Turn the unit off by moving the On/Off switch to Off. (Figure C, page 9)
- Submerge suction tube in paint. Turn Power Switch ON, and trigger gun into waste pail. When paint comes out of return tube, turn Prime/Spray valve to SPRAY. When paint comes out of gun, release trigger. Pump will build up pressure and motor will stop.
- Transfer return tube to paint pail.
- Attach spray tip and guard. Do not over tighten.
- Sprayer is now ready for start up.

## Workpiece and Work Area Set Up

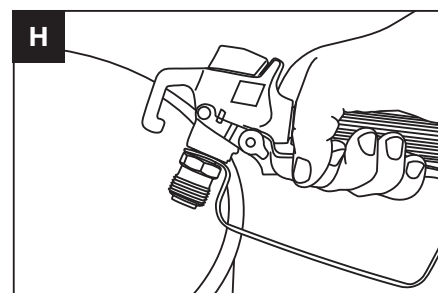
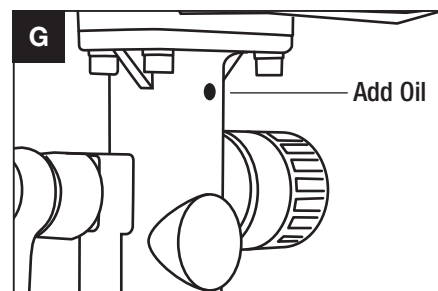
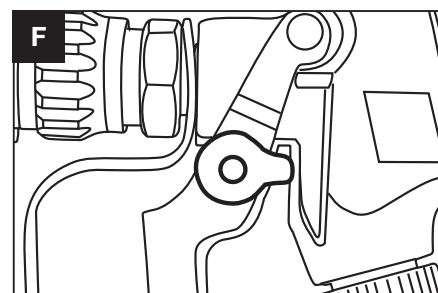
- Designate a work area that is clean and well-lit. The work area must not allow access by children or pets to prevent injury and distraction.
- Route the Power Cord along a safe route to reach the work area without creating a tripping hazard or exposing the Power Cord to possible damage. The Power Cord must reach the work area with enough extra length to allow free movement while working.
- There must not be hazardous objects such as utility lines or foreign objects nearby that will present a hazard while working.

## GENERAL OPERATING INSTRUCTIONS

**NOTE:** Prior to use, add approximately 5 drops of machine oil (Figure G). Adding this oil is a daily requirement each time the Spray Gun is used.

Prior to operating the Sprayer, know in advance how to release pressure in the unit's system:

- Engage the Safety Lock on the Spray Gun. (Figure F)
- Turn the Power Switch to its "OFF" position. (Figure C, page 9)
- Turn the Pressure Adjust Knob to it's lowest setting. (Figure B, page 9)
- Unlock the Spray Gun by turning the Safety Lock to the unlocked position. (Figure F)
- Hold the Spray Gun firmly against the side of a grounded container. (Figure H)
- Spray the paint into the container to relieve the system pressure.
- Lock the Spray Gun by turning the Safety Lock to the locked position. (Figure F)
- Turn the Prime/Spray Knob to its "PRIME" position. (Figure D, page 9)



# HOW TO USE

## START UP

**IMPORTANT:** Do not run the Sprayer dry for more than 30 seconds. Doing so can damage the Pump Packing.

**NOTE:** Before spraying the actual workpiece, it is recommended to test spray on a scrap board.

- Unlock the Trigger Safety Lock. (Figure F, page 10)
- Make sure the Spray Tip faces toward the workpiece to be painted.
- Hold the Spray Gun perpendicular and about 12-14 inches from the workpiece. (Figure I)
- Move the Spray Gun first, then pull the Trigger to spray a test pattern. (Figure J)
- Slowly increase Pump pressure until coverage is uniform (no tails or gaps on edges). (Figure L)
- To align the spray pattern, relieve pressure on the system. Align the Guard horizontally to obtain a horizontal spray pattern. Align the Guard vertically to obtain a vertical spray pattern.

## PAINTING TIPS

Successful spray painting is a skill which requires knowledge of your equipment, familiarity with your paint materials and experience.

Differences in paints, work materials and environmental conditions make every painting task unique. For best results, practice with your painting mixture on scrap material before beginning to paint your workpiece.

It is critical that the surface be properly prepared before painting. It will be difficult to achieve a satisfactory painted surface if the original surface is dirty, rough, or wet.

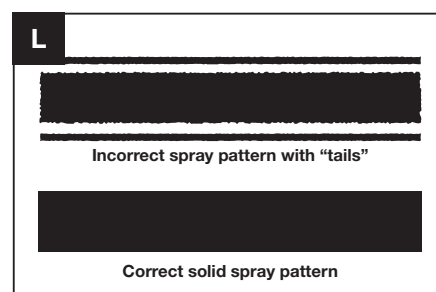
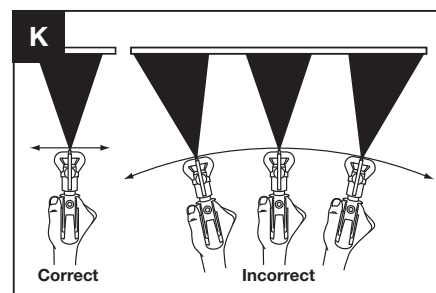
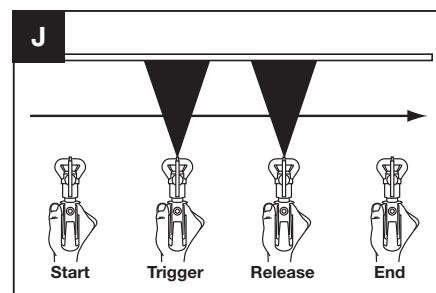
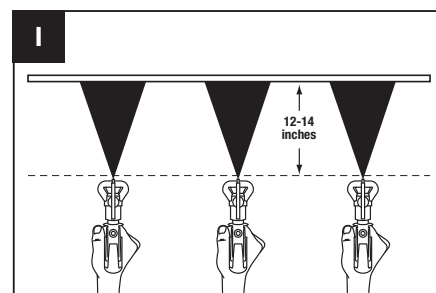
Properly mask your paint surface from any adjacent areas you do not want to paint. Use drop cloths or other covers to protect adjacent objects from paint dust or overspray.

In most cases, it is best to move the paint spray from side to side, overlapping the previous paint. To paint in this way, the spray pattern should be set to vertical.

It is important to prevent excess paint at the beginning and end of each stroke. Holding the Spray Gun away from the workpiece, squeeze the Trigger to start the spray. Then move the Spray Gun in to within 12-14 inches of the workpiece. Move the Spray Gun smoothly across the workpiece, keeping a consistent distance. At the end of each stroke, pull the Spray Gun away from the workpiece as you release the Trigger.

As you work, observe the way the paint accumulates on the work surface. It is more important to maintain a good paint surface than to form an opaque (thick) paint coat. You can always apply a second coat to get the coverage you want. If the surface is ruined, however, you will have to start over with surface preparation.

If the surface does not smooth out in a few seconds after applying the paint, your paint mixture is probably too thick. Thin your paint slightly and test on scrap material. If the paint goes on very thin and threatens to run, stop spraying immediately. Add more paint to your mixture to thicken the paint. Test on scrap material before resuming work.



# MAINTENANCE AND SERVICING

## MAINTENANCE AND SERVICING

**IMPORTANT:** Procedures not specifically explained in this manual must be performed only by a qualified technician.

### **⚠ WARNING**

#### **To Prevent Serious Injury From Accidental Operation**

Prior to cleaning, lock the Gun Trigger, turn the Pressure Adjust Knob to “OFF”, then open the Prime/Spray Knob to release all pressure.

Prior to storing or performing service and repairs, turn the Power Switch of the Sprayer to its “OFF” position, unplug the Sprayer from its electrical outlet, and relieve all remaining pressure from the system.

### **⚠ WARNING**

#### **To Prevent Serious Injury From Tool Failure**

Do not use damaged equipment. If abnormal noise or vibration occurs, have the problem corrected before further use.

Before each use, inspect the general condition of the Airless Sprayer. Check for loose screws, misalignment or binding parts, cracked or broken parts, damaged electrical wiring, damaged hoses and any other condition that may affect its safe operation,

#### **To Clear the Spray Tip**

If Spray Tip clogs while spraying, rotate the Tip 180° to the “Clean position. (Figure M) Pull the Trigger and spray to clear the Tip of any blockage. Take care to spray away from workpiece in order to clear the clog. Rotate the Tip back to the “Spray” position and continue spraying. (Figure N) If the clogging continues, clean or replace the Spray Gun Filter. (Figure P)

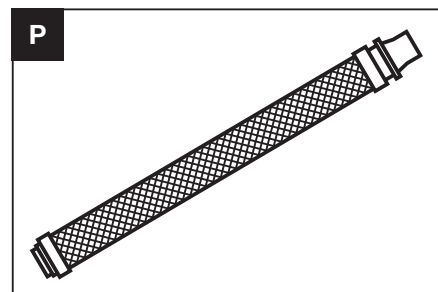
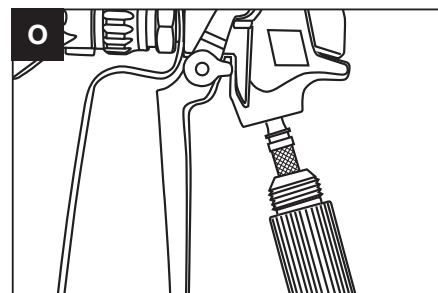
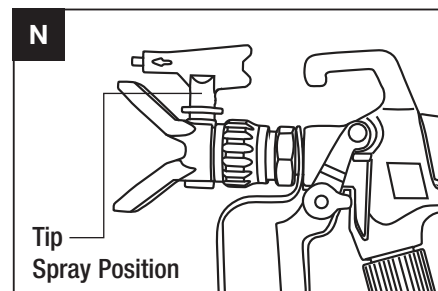
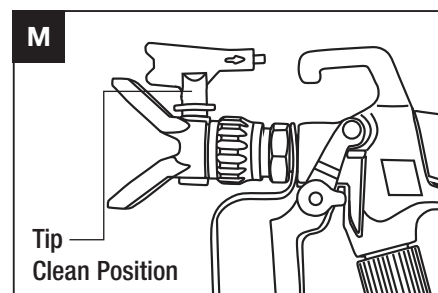
**IMPORTANT:** Do not use a needle or sharp object to clean the Tip, as damage to the Tip may result.

#### **To Change Spray Tips**

Rotate the Spray Tip 90°. Remove the Spray Tip from the Nozzle Seat. Install a new Spray Tip on the Nozzle Seat. Then rotate the Tip 90° to the “spray” position. (Figure N)

#### **To Clean Spray Gun Filter**

Unscrew the Spray Gun Handle (Figure O) from the Gun Body to access the Filter. (Figure P) Remove the Filter and use brush (not included) to clean with water (if used with water-based paint) or solvent (if used with oil-based paint). Inspect Filter for pinholes, clogging, or other damage. Replace if necessary. Reinstall the Filter. Then screw the Spray Gun Handle back into the Gun Body. (Figure O)



# MAINTENANCE AND SERVICING

## CLEAN UP

### To Flush The System:

Clean with water if using a water-based paint. Clean with solvent if using an oil-based paint.

**NOTE:** Cleaning and flushing will also be required when changing color or type of paint i.e., water-based changing to oil-based.

- Lock the Gun Trigger. Turn the Pressure Control Knob to “OFF”. Then open the Prime/Spray Knob to release all pressure.
- Remove spray tip and guard and place in cleaning fluid.
- Turn Pressure Control Knob to prime/clean mode.
- While the unit is running in prime/clean mode, lift the Return Tube, and Suction Tube out of the container and allow 10-15 seconds to pump out the paint.
- Turn the Pressure Control Knob to “OFF”
- Place the Return Tube and Suction Tube in a container filled with clean water (if using water-based paint) or clean solvent (if using an oil-based paint).
- Turn the Prime/Spray Knob to Prime mode. (Vertical Position) Run for 30 seconds, turn to Spray mode. (Horizontal Position)
- Unlock the Trigger, and with the Spray Tip still removed turn the Pressure Control Knob to Prime/Clean mode.
- Aim the Spray Gun into a paint container and hold the Trigger open until the paint flow stops and water or solvent just begins to flow. Release the Trigger. Aim the Spray Gun into a water or solvent container for about two minutes. To reduce splashing, direct the fluid stream along the inside of the container at a side angle and well above the fluid level (or submerge the Spray Tip in the water or solvent). Release the Trigger. Point the Spray Gun into an empty waste container and spray at least one gallon of fluid into it. If fluid is not clear of paint, repeat with another gallon of clean water (if using water-based paint) or clean solvent (if using an oil-based paint). (Figure Q)

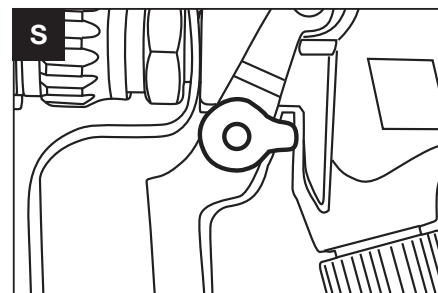
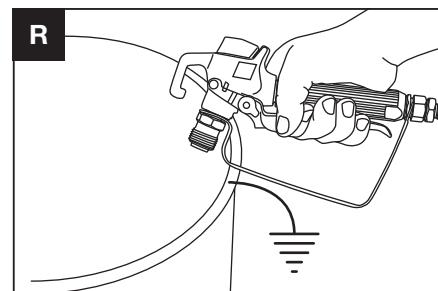
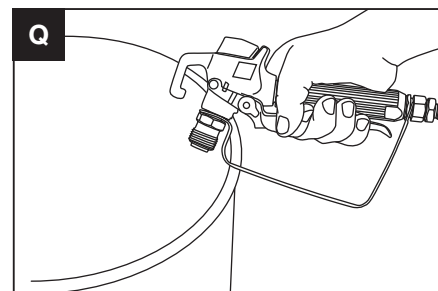
**WARNING!** Conductive metal containers must be used when flushing flammable fluids through the system. Always flush at low pressure with the Spray Tip removed. A metal part of the Spray Gun must be held firmly against the grounded metal container when flushing or relieving pressure from the Sprayer. (Figure R)

- Pump the water or solvent out of the system by lifting both the Return Tube and Suction Tube out of the water or solvent. Turn the Pressure Control Knob to the lowest setting and open the Prime/Spray Knob to release system pressure.
- Clean Spray Tip with a soft bristle brush, using the appropriate cleaning solution and reassemble.
- Lock the Trigger before reinstalling the Spray Tip on the Spray Gun. (Figure S)  
*For Safety, always lock the Trigger when not in use.*
- After use, clean external surfaces of the Airless Sprayer with clean cloth.

## STORING

Prevent Pump corrosion and damage from freezing. Never leave water or water-based paint in the Airless Sprayer when it is not in use in cold weather. Freezing fluids can seriously damage the Sprayer. Drain the system completely of liquids and store indoors at room temperature.

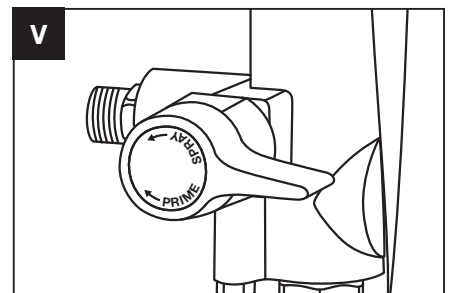
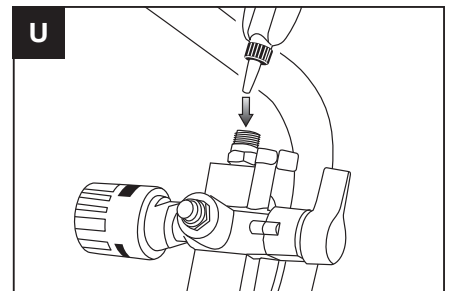
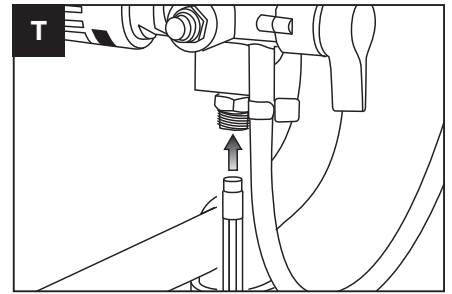
**WARNING!** If the Power Cord of this power tool is damaged, it must be replaced only by a qualified service technician.



# WINTERIZE AND LONG TERM STORAGE

## FOR POWER-FLO PRO PUMP

- Remove the inlet hose from inlet port, leave bypass hose on with unit upright.
- Use pen or pencil to push inlet ball up so cleaning solution drains from unit. (Figure T)
- Flip unit upside down and add 1/3 of the oil supplied to inlet port. (Figure U)
- Wait 30 seconds and flip unit back onto its feet.
- Be careful to block discharge port and inlet port with paper towel as some oil will splatter out and could get in eyes or on clothing.
- Turn prime/spray switch to PRIME Cycle unit on and off 3 times with power switch to run oil into unit.
- Turn prime/spray switch to SPRAY. Cycle unit on and off 3 times. (Figure V)
- Ensure inlet and bypass hose are drained.
- Unit is ready for storage.

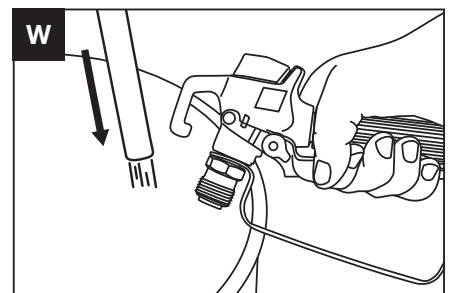


## FOR THE GUN AND HOSE

- Remove high pressure hose from unit and gun from hose.
- Remove nozzle and guard from gun.
- Hold gun upside down and add 20 drops of oil to inlet of gun.
- While holding gun upside down, pull trigger to allow oil to run into gun.
- Lay hose flat and lift one end to drain hose or use a compressor regulated to 5 PSI to blow cleaning solution out of hose.
- Coil hose and gun/hose is ready for storage.

## ALTERNATE METHOD

- Submerge suction tube into RV antifreeze (DO NOT USE AUTOMOTIVE ANTI-FREEZE).
- Remove spray tip/guard from spray gun, turn Prime/Spray switch to Prime, turn Power Switch ON. When antifreeze comes out of return tube, turn Prime/Spray switch to SPRAY and trigger spray gun into waste pail.\* (Figure W)
- Run until pink RV antifreeze comes out of spray gun.
- This will protect and lubricate down to -50° F.



\* Check with local codes for proper disposal.

# TROUBLESHOOTING

| PROBLEM  | CAUSE   | REMEDY   |
|--|---|--|
| Motor will not run.  | <ul style="list-style-type: none"> <li>A. No power at outlet.</li> <li>B. Power cord not connected.</li> <li>C. Pressure control knob set at minimum (fully counterclockwise).</li> <li>D. Spray tip and/or fluid filter clogged.</li> <li>E. Pump frozen and/or excessive dried paint.</li> <li>F. Defective motor.</li> </ul>   | <ul style="list-style-type: none"> <li>A. Check power at outlet. Check circuit breaker/overload protection.</li> <li>B. Check that power cord is plugged in.</li> <li>C. Turn pressure control knob clockwise to increase pressure.</li> <li>D. Relieve pressure. Then clear spray tip and/or fluid filter.</li> <li>E. Thaw sprayer if water or water-based paint has frozen in sprayer. Do not start sprayer until thawed completely. If excessive dried paint in sprayer, replace pump packing.</li> <li>F. Have a qualified service technician replace motor if fan doesn't turn.</li> </ul>   |
| Low output   | <ul style="list-style-type: none"> <li>A. Worn spray tip.</li> <li>B. Defective pump.</li> <li>C. Prime valve leaking.</li> <li>D. Suction tube connections not secure.</li> <li>E. Improper extension cord length and/or gauge.</li> <li>F. Defective or worn motor</li> </ul>   | <ul style="list-style-type: none"> <li>A. Replace spray tip.</li> <li>B. Have a qualified service technician repair or replace pump.</li> <li>C. Relieve pressure. Then repair prime valve.</li> <li>D. Tighten all loose connections. Check o-ring on suction tube.</li> <li>E. Replace with proper length and/or gauge extension cord.</li> <li>F. Have a qualified service technician replace motor if fan doesn't turn.</li> </ul>   |
| Sprayer starts, but does not draw in paint when in the PRIME/SPRAY knob is set to PRIME. | <ul style="list-style-type: none"> <li>A. Sprayer will not prime properly or has lost prime.</li> <li>B. Sprayer is not on level ground.</li> <li>C. Inlet filter is clogged.</li> <li>D. Inlet or outlet valve is stuck.</li> <li>E. Inlet valve is worn or damaged.</li> <li>F. PRIME/SPRAY valve is plugged.</li> <li>G. Unit may not be primed properly.</li> </ul> | <ul style="list-style-type: none"> <li>A. Attempt to prime sprayer again.</li> <li>B. Relocate sprayer to level ground.</li> <li>C. Clean inlet filter.</li> <li>D. Clean inlet and outlet valves and replace any worn parts. Inlet may be stuck from old paint. Remove inlet hose and using a pen or pencil, insert into inlet fitting until you feel resistance. This will release the inlet valve. Image T, Page 14</li> <li>E. Replace inlet valve.</li> <li>F. Take sprayer to qualified service technician.</li> <li>G. Let the unit sit for a few minute, then re-prime with water. Make sure good water flow is coming through the gun before switch back to paint.</li> </ul> |
| Sprayer draws up paint, but the pressure drops when the gun is triggered.                | <ul style="list-style-type: none"> <li>A. Spray tip is worn.</li> <li>B. Inlet filter is clogged.</li> <li>C. Gun or spray tip filter is plugged.</li> <li>D. Paint is too heavy or coarse.</li> <li>E. Outlet valve assembly is dirty or worn.</li> <li>F. Inlet valve assembly is damaged or worn.</li> </ul>   | <ul style="list-style-type: none"> <li>A. Replace the spray tip.</li> <li>B. Clean inlet filter.</li> <li>C. Clean or replace proper filter. Always keep extra filters on hand.</li> <li>D. Thin or strain paint.</li> <li>E. Clean or replace outlet valve assembly.</li> <li>F. Replace inlet valve.</li> </ul>  |
| PRIME/SPRAY valve set to SPRAY and flow through return tube is present.                  | <ul style="list-style-type: none"> <li>A. PRIME/SPRAY valve is dirty or worn.</li> </ul>  | <ul style="list-style-type: none"> <li>A. Take sprayer to qualified service technician.</li> </ul>   |
| Spray gun will not spray.  | <ul style="list-style-type: none"> <li>A. Spray tip or gun filter is plugged.</li> <li>B. Spray tip is in the CLEAN position.</li> <li>C. PRIME/SPRAY knob not set to SPRAY.</li> </ul>   | <ul style="list-style-type: none"> <li>A. Clean the spray tip or gun filter. Review <i>Unclogging the Spray Tip</i>.</li> <li>B. Set tip to SPRAY position.</li> <li>C. Turn PRIME/SPRAY knob to SPRAY.</li> </ul>   |
| Irregular spray pattern.   | <ul style="list-style-type: none"> <li>A. Pressure Control Knob.</li> <li>B. Nozzle clogged</li> </ul>  | <ul style="list-style-type: none"> <li>A. Increase pressure or thin material.</li> <li>B. Reverse nozzle and trigger gun to remove blockage. Spray Gun away from workpiece to clear clog.</li> </ul>   |



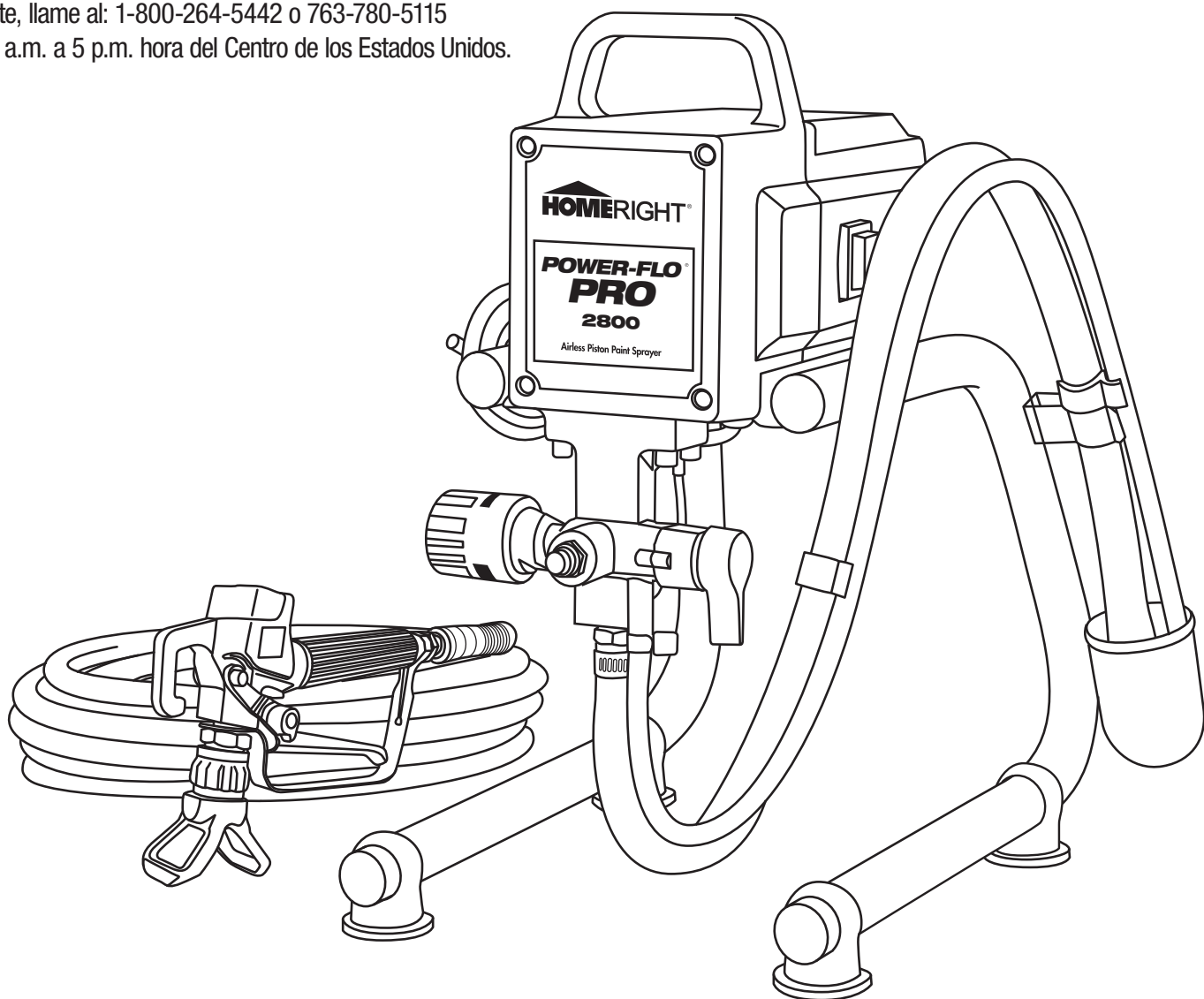
# ***PISTOLA ROCIADORA SIN AIRE POWER-FLO PRO 2800 1/2 HP***

**⚠ADVERTENCIA** PARA DISMINUIR LOS RIESGOS DE LESIONES, EL USUARIO DEBE LEER Y ENTENDER EL MANUAL DE INSTRUCCIONES.

SÓLO PARA USO DOMÉSTICO.

MANTENGA A LOS NIÑOS LEJOS DEL ÁREA DE TRABAJO.

Para comunicarse con el departamento de servicio al cliente, llame al: 1-800-264-5442 o 763-780-5115 de 8 a.m. a 5 p.m. hora del Centro de los Estados Unidos.



**Enregistrez en ligne aujourd'hui  
Pour lancer votre garantie de deux ans**

Attaquez-vous en ligne chez [www.homeright.com](http://www.homeright.com) ou balayez le code de QR vers la gauche. Voyez secondaire pour des détails de garantie.

# TABLE DES MATIÈRES

|  |    |
|--|----|
| <b>MESURES DE PROTECTION IMPORTANTES</b> ..... | 15 |
| △ Avertissements .....                         | 15 |
| Directives de mise à la terre .....            | 16 |
| Rallonges .....                                | 17 |
| <b>LISTE DES PIÈCES</b> .....                  | 18 |
| <b>GUIDE DE RÉFÉRENCE RAPIDE</b> .....         | 19 |
| <b>MODE D'EMPLOI</b> .....                     | 20 |
| Déballage .....                                | 20 |
| Utilisation .....                              | 21 |
| Démarrage .....                                | 22 |
| Conseils .....                                 | 22 |
| <b>ENTRETIEN ET RÉPARATION</b> .....           | 22 |
| Directives de nettoyage .....                  | 23 |
| Rangement .....                                | 24 |
| <b>DÉPANNAGE</b> .....                         | 25 |
| <b>GARANTIE LIMITÉE DE DEUX ANS</b> .....      | 44 |

# MESURES DE PROTECTION IMPORTANTES

## CONSERVEZ CE MANUEL

Conservez ce manuel pour les avertissements et précautions de sécurité, l'assemblage, le fonctionnement, l'inspection et les procédures d'entretien et de nettoyage. Inscrivez le numéro de série du produit au verso du manuel (ou le mois et l'année de l'achat si le produit n'a pas de numéro). Gardez le manuel et votre facture en lieu sûr et au sec pour référence ultérieure.

## CONSIGNES DE SÉCURITÉ IMPORTANTES

Dans ce manuel, sur les étiquettes et dans toute information accompagnant ce produit :

Le symbole d'alerte de sécurité est utilisé pour vous avertir des risques potentiels de blessure personnelle. Obéissez à tous les messages de sécurité qui suivent ce symbole pour éviter les risques possibles de blessure ou de mort.

⚠ **DANGER** indique une situation dangereuse qui, si elle n'est pas évitée, entraînera la mort ou de graves blessures.

⚠ **AVERTISSEMENT** indique une situation dangereuse qui, si elle n'est pas évitée, pourrait entraîner la mort ou de graves blessures.

⚠ **MISE EN GARDE**, accompagné du symbole d'alerte de sécurité, indique une situation dangereuse qui, si elle n'est pas évitée, pourrait entraîner des blessures mineures ou modérées.

**REMARQUE** concerne les pratiques sans rapport avec les blessures personnelles.

**MISE EN GARDE**, sans le symbole d'alerte de sécurité, concerne les pratiques sans rapport avec les blessures personnelles.

Lisez les consignes de sécurité et les instructions. Négliger de suivre les consignes de sécurité et les instructions peut entraîner un choc électrique, un incendie et/ou de graves blessures. Conservez les consignes de sécurité et les instructions pour référence ultérieure. L'expression « outil électrique » dans les avertissements désigne le Pistolet pulvérisateur sans air comprimé 1/2 HP alimenté par une prise de courant (avec un cordon électrique).

## ⚠ AVERTISSEMENTS

### Sûreté de l'aire de travail

- Maintenez l'aire de travail propre et bien éclairée. Les endroits encombrés et sombres sont plus susceptibles d'accidents.
- N'utilisez pas d'outils électriques dans des atmosphères explosives, comme en présence de liquides inflammables, de gaz ou de poussières. Les outils électriques créent des étincelles pouvant enflammer les poussières et les vapeurs.
- Tenez les enfants et les tiers à distance lors de l'utilisation d'un outil électrique. Une distraction risque de vous faire perdre la maîtrise de l'outil.

### Sécurité électrique

- La fiche de l'outil électrique doit correspondre à la prise de courant. Ne modifiez jamais la fiche de quelque façon que ce soit. N'utilisez aucun adaptateur de fiche avec un outil électrique comportant une mise à la terre. La fiche originale et la prise de courant correspondante réduisent les risques de chocs électriques.
- Évitez tout contact de votre corps avec des éléments mis à la terre, tels que tuyaux, radiateurs, cuisinières et réfrigérateurs. Le risque de choc électrique est plus grand si votre corps est relié à une mise à la terre.
- N'exposez jamais un outil électrique à la pluie ou à l'humidité. De l'eau qui pénètre dans un outil électrique accroît le risque de choc électrique.
- Faites attention au cordon électrique. N'utilisez jamais le cordon pour transporter, tirer ou débrancher un outil électrique. Gardez le cordon électrique loin de la chaleur, de l'huile, et de toute arête tranchante

ou pièce mobile. Un cordon endommagé ou emmêlé accroît les risques de choc électrique.

- Lors de l'utilisation d'un outil électrique à l'extérieur, utilisez une rallonge (non comprise) qui convient aux utilisations extérieures. L'utilisation d'une rallonge conçue pour l'extérieur réduit les risques de choc électrique.

### Sécurité personnelle

- Soyez vigilant, surveillez ce que vous faites et faites preuve de bon sens lors de l'utilisation d'un outil électrique. N'utilisez pas un outil électrique si vous êtes fatigué ou sous l'influence de drogues, d'alcool ou d'un médicament. Un moment d'inattention lors de l'utilisation d'un outil électrique peut entraîner de graves blessures personnelles.
- Utilisez un équipement de protection individuelle. Portez toujours des lunettes protectrices. L'équipement de sécurité, tels que les masques antipoussières et les chaussures antidérapantes réduisent les risques de blessure personnelle.
- Prévenez les démarrages involontaires. Assurez-vous que l'interrupteur à la position arrêt avant de brancher l'appareil à la source électrique.
- Ne vous étirez pas. Gardez en tout temps un bon appui au sol et bon équilibre. Vous pourrez ainsi mieux maîtriser l'outil électrique dans les situations imprévues.
- Habillez-vous correctement. Portez des vêtements protecteurs tels que requis par le fabricant du revêtement.
- N'utilisez que de l'équipement de sécurité homologué par l'organisme de normalisation approprié. Un équipement de sécurité non homologué risque de ne pas offrir une protection adéquate. La protection pour les yeux doit être homologuée par l'ANSI et la protection respiratoire par l'institut NIOSH pour les risques spécifiques de l'aire de travail.

### Consignes de sécurité particulières

- Conservez les étiquettes et plaques signalétiques. Elles contiennent des consignes de sécurité importantes.
- Portez toujours des lunettes de sécurité homologuées par l'ANSI et un masque respiratoire ou facial homologué par l'institut NIOSH. Certains masques faciaux, tels que les filtres en papier, ne procurent qu'une protection limitée contre les brumes et vapeurs nocives de pulvérisation. Consultez les documents de sécurité qui accompagnent les produits que vous pulvériser ou consultez un expert en sécurité industrielle pour déterminer la protection respiratoire adéquate.
- Portez des gants de travail robustes, une protection auditive homologuée NIOSH, une chemise à manches longues, des jeans pleine longueur et des chaussures de sécurité antidérapantes.
- Ce pulvérisateur haute pression sans air comprimé est capable de produire une pression de 3 000 PSI et peut injecter des toxines dans l'organisme et causer de graves blessures. Dans l'éventualité d'une injection accidentelle, appelez immédiatement un médecin.
- Ne pointez jamais l'appareil vers une personne ou un animal et ne pulvériser jamais dans cette direction.
- Ne placez jamais les mains, les doigts ni toute autre partie du corps devant la buse de pulvérisation si le pistolet n'est pas débranché et dépressurisé.
- Effectuez un essai de pulvérisation sur une retaille avant de pulvériser le matériel de travail. Le jet à haute pression peut entraîner de dommages personnels ou matériels.
- Utilisez toujours le protège-buse de pulvérisation. N'utilisez jamais le pulvérisateur si le protège-buse n'est pas en place. N'utilisez que la buse spécifiée par le fabricant. Relâchez toujours la pression avant d'enlever la buse pour le nettoyage.
- Ne laissez jamais l'appareil sous tension ou pressurisé sans surveillance. Entre les utilisations, éteignez l'appareil et relâchez la pression.

# MESURES DE PROTECTION IMPORTANTES

- Engagez toujours le cran de sûreté de la gâchette entre les utilisations. Assurez-vous que le cran de sûreté fonctionne correctement.
- Assurez-vous que tous les raccords sont bien serrés avant d'utiliser l'appareil.
- Vérifiez toujours que le tuyau flexible n'est pas endommagé. Remplacez le tuyau s'il est endommagé. Évitez de couder ou de plier à l'excès le tuyau flexible.
- Acheminez les tuyaux et les fils loin des zones de passage, des arêtes tranchantes, des pièces mobiles et des surfaces chaudes.
- Ne pulvérisez jamais un produit près d'un feu, d'une flamme, d'étincelles électriques ni de toute autre source d'allumage. Ne fumez pas en utilisant le pulvérisateur ni à proximité de celui-ci. Ne fumez pas tant que le lieu de travail n'a pas été correctement aéré. Assurez toujours une ventilation adéquate. Ventilez les lieux pendant et après la pulvérisation pour éliminer toute atmosphère explosive enfermée.
- Prenez connaissance des instructions et des précautions fournies par le fabricant de chaque peinture ou solvant avant d'utiliser le pulvérisateur. Ne pulvérisez jamais les solvants indiqués ci-dessous dans un pulvérisateur comportant de l'aluminium :
  - 1, 1, 1-trichloroéthane
  - Chlorure de méthylène
  - Hydrocarbures halogénés
- Ne pulvérisez jamais les solvants mentionnés ci-dessus dans tout pulvérisateur comportant de l'aluminium. N'utilisez jamais ces solvants pour nettoyer l'équipement. N'utilisez jamais un solvant dont vous doutez de la composition ou de sa compatibilité avec l'aluminium, d'autres matériaux ou ce pulvérisateur. Une telle utilisation peut provoquer une grave réaction chimique et la rupture de l'équipement, entraînant des dommages matériels et/ou des blessures personnelles.
- S'il est utilisé uniquement pour pulvériser des produits à l'eau, ne nettoyez pas l'appareil avec des liquides inflammables.
- S'il est utilisé uniquement pour pulvériser des produits à l'eau ou à l'essence minérale avec un point d'éclair minimum de 21 °C (69,8 °F), ne pulvérisez pas de liquides dont le point d'éclair est inférieur à 21 °C (69,8 °F) et n'utilisez pas de tels liquides pour le nettoyage.
- La peinture ou le solvant jaillissant de l'équipement est susceptible de produire de l'électricité statique. L'électricité statique pose un risque d'incendie ou d'explosion en présence de vapeurs de peinture ou de solvant.
- Toutes les parties du pulvérisateur et les objets situés dans ou autour de l'aire de pulvérisation doivent comporter une mise à la terre adéquate pour éviter les décharges d'électricité statique et les étincelles.
- N'utilisez que des récipients en métal conducteurs placés sur une surface mise à la terre comme le béton. Ne placez pas le récipient sur une surface non-conductrice comme du papier ou du carton, ce qui interromprait la continuité de la mise à la terre. Branchez toujours un fil de terre au récipient en y pinçant une de ses extrémités et en raccordant l'autre à une pièce mise à la terre comme un tuyau de plomberie.
- Pour maintenir la continuité de la mise à la terre lors du rinçage ou de la dépressurisation, maintenez la partie métallique du pistolet pulvérisateur fermement appuyée contre le récipient métallique mis à la terre. Puis appuyez sur la gâchette.
- N'utilisez que des tuyaux flexibles conducteurs ou des tuyaux pour pulvérisateur haute pression mis à la terre stipulés par le fabricant.
- Assurez-vous que tous les récipients et systèmes collecteurs sont mis à la terre pour éviter toute décharge d'électricité statique.
- N'actionnez pas les interrupteurs d'éclairage et ne faites pas fonctionner des moteurs ni tout autre appareil produisant des étincelles dans l'aire de pulvérisation.
- Gardez la zone libre de contenants et de chiffons de peinture et de solvant, et de tout autre produit inflammable.
- Ayez à proximité plusieurs extincteurs d'incendie de classe ABC.
- Prévenez les démarrages involontaires. Préparez-vous à commencer le travail avant d'actionner l'outil.
- Cet appareil comporte un disjoncteur de protection thermique. En cas de surcharge, le disjoncteur interrompt l'alimentation électrique du moteur.
- Si le disjoncteur de protection thermique coupe l'alimentation du moteur, dépressurisez l'appareil en tournant le bouton de réglage de pression (69A) sur « ARRÊT ».
- Tournez l'interrupteur d'alimentation (33A) en position « ARRÊT ».
- La cause de la surcharge doit être corrigée avant de redémarrer. (Voir la section « Dépannage ».)
- Appuyez sur le bouton de réamorçage au bas de l'appareil.
- Tournez l'interrupteur d'alimentation (33A) en position « MARCHÉ ».
- Ce produit n'est pas un jouet. Gardez-le hors de portée des enfants.
- Les personnes ayant un stimulateur cardiaque devraient consulter leur médecin avant l'utilisation. Les champs électromagnétiques situés à proximité d'un stimulateur cardiaque peuvent interférer avec son fonctionnement ou entraîner une panne. De plus, une personne ayant un stimulateur cardiaque devrait :
  - Éviter d'utiliser seule cet appareil.
  - Ne pas utiliser l'appareil en verrouillant l'interrupteur sur « Marche ».
  - Entretenir correctement et inspecter l'appareil pour éviter les chocs électriques.
- Tout cordon électrique doit être correctement mis à la terre. L'appareil doit être branché sur un circuit protégé par un disjoncteur de mise à la terre (GFCI), ce qui empêche les chocs électriques prolongés.
- Certaines poussières ou vapeurs produites par les travaux de peinture, sablage, sciage, meulage, perçage et autres activités de construction contiennent des substances connues [dans l'État de Californie] pour causer le cancer, des anomalies congénitales et d'autres malformations de la reproduction. Ces substances chimiques sont, par exemple :
  - Le plomb des peintures au plomb.
  - La silice cristalline de la brique, du ciment et d'autres produits de maçonnerie.
  - L'arsenic et le chrome contenus dans le bois traité.
- Vos risques d'exposition varient selon la fréquence à laquelle vous effectuez ce type de travaux. Pour réduire l'exposition à ces substances chimiques : travaillez dans un endroit bien aéré, protégez-vous avec un équipement de sécurité homologué, tel qu'un masque à poussière spécialement conçu pour filtrer les particules microscopiques (Code de la santé et de la sécurité de Californie § 25249.5, et suivants).
- AVERTISSEMENT : Les pièces en laiton de ce produit contiennent du plomb, une substance chimique connue dans l'État de Californie pour causer des anomalies congénitales et d'autres malformations de la reproduction. (Code de la santé et de la sécurité de Californie § 25249.5, et suivants).
- AVERTISSEMENT : La manipulation du cordon électrique (37A) de ce produit vous expose à du plomb, une substance chimique connue dans l'État de Californie pour causer des anomalies congénitales et d'autres malformations de la reproduction. Lavez-vous les mains après utilisation. (Code de la santé et de la sécurité de Californie § 25249.5, et suivants).
- Les avertissements, mises en garde et directives de ce manuel d'instruction ne peuvent pas couvrir toutes les situations. L'utilisateur doit comprendre qu'il lui incombe de faire preuve de bon sens et de prudence, ces facteurs ne pouvant pas être intégré au produit.

# MESURES DE PROTECTION IMPORTANTES

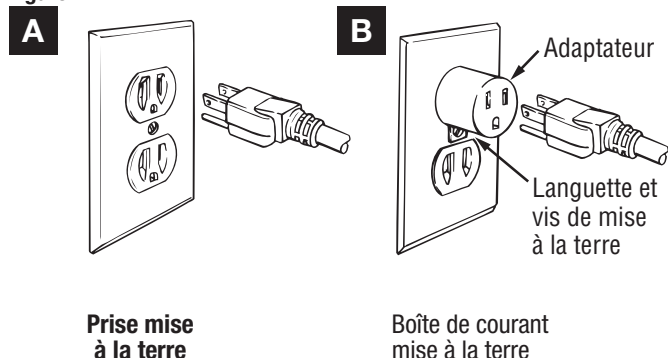
## MISE À LA TERRE

POUR PRÉVENIR LES CHOCS ÉLECTRIQUES ET DÉCÈS EN RAISON D'UNE MISE À LA TERRE INCORRECTE :

### ⚠ AVERTISSEMENT

Consultez un électricien qualifié si des doutes subsistent quant à la mise à la terre de la prise de courant utilisée. Ne modifiez pas la fiche du cordon électrique de l'appareil. N'enlevez jamais la broche de mise à la terre de la fiche. N'utilisez l'outil si son cordon ou sa fiche est endommagé. Faites-le réparer dans un établissement de réparation avant de l'utiliser. Si la fiche ne peut pas être insérée dans la prise, faites installer une prise adéquate par un électricien qualifié.

Figure 1



Prise mise à la terre

Boîte de courant mise à la terre

### Outils mis à la terre par une fiche à trois broches

- Les outils portant la mention « Mise à la terre requise » ont un cordon électrique muni d'une fiche à trois broches. La fiche doit être branchée à une prise de courant correctement mise à la terre. Si l'outil présente une défektivité électrique ou s'il brise, la mise à la terre offre un passage de faible résistance à l'électricité pour l'éloigner de l'utilisateur, réduisant ainsi le risque choc électrique. (Figure 1)
- La broche de mise à la terre de la fiche est connectée par le biais du fil vert du cordon au système de mise à la terre de l'outil. Le fil vert du cordon doit être le seul fil connecté au système de mise à la terre de l'outil et ne doit jamais être relié à une borne électriquement « active ». (Figure 1)
- L'outil doit être branché dans une prise appropriée correctement installée et mise à la terre selon les ordonnances et les codes locaux. La fiche et la prise doivent ressembler à celles illustrées à la figure 1.

## RALLONGES

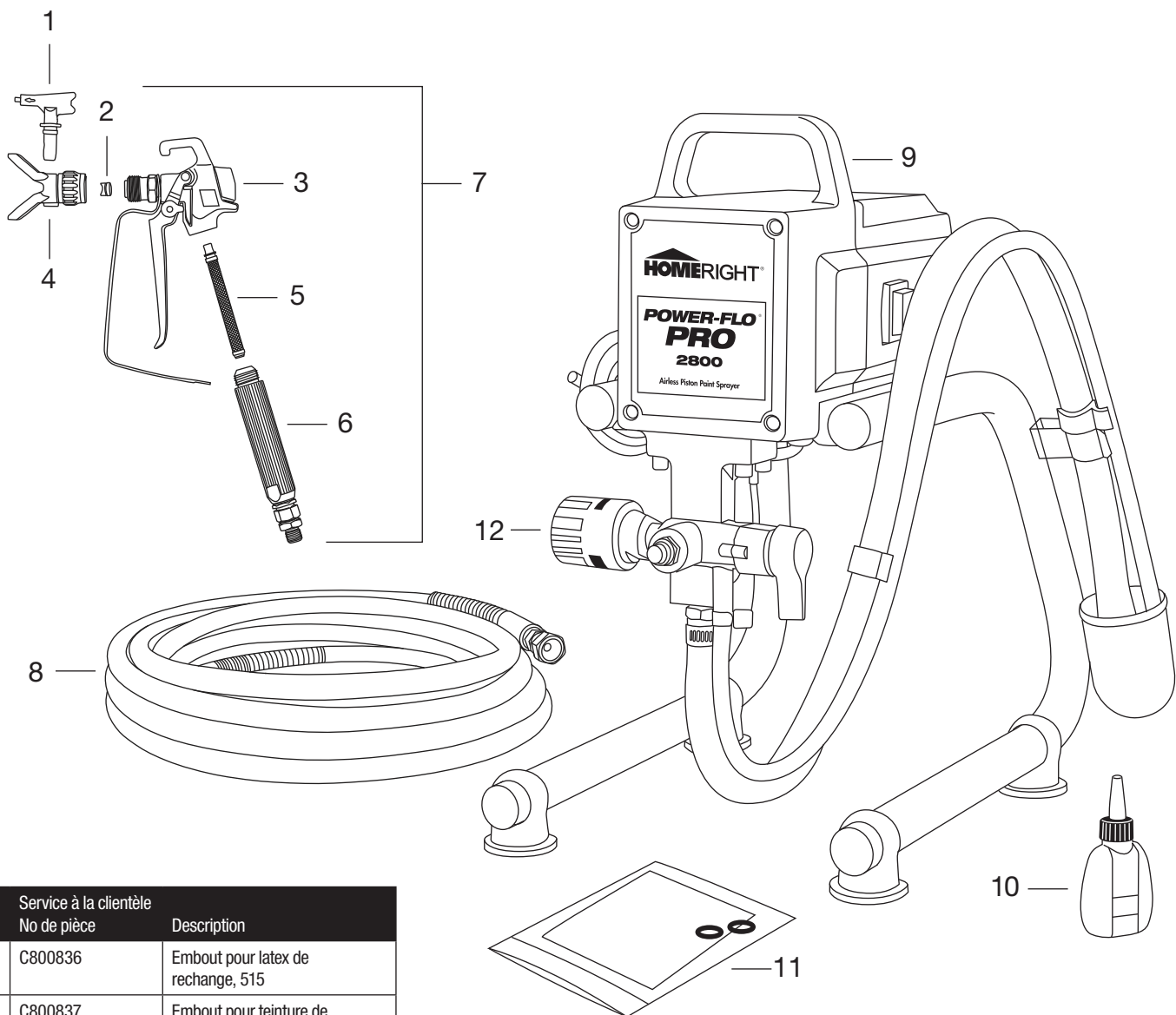
- Les outils avec mise à la terre nécessitent une rallonge électrique à trois broches. Les outils à double isolation peuvent utiliser une rallonge à deux ou à trois broches.
- Plus la distance de la prise courant est grande, plus le calibre de la rallonge doit être gros. L'utilisation de rallonges d'un calibre inadéquat entraînera une importante chute de tension, entraînant une perte de puissance de l'outil, ce qui risque de l'endommager. (Voir le tableau A.)
- Plus le numéro du calibre du fil est petit, plus la capacité de la rallonge est grande. Par exemple, une rallonge de calibre 14 peut transporter plus de courant qu'une rallonge de calibre 16. (Voir le tableau A.)
- Lors de l'utilisation de plusieurs rallonges pour arriver à la longueur totale, assurez-vous que chaque rallonge est au moins du calibre minimum requis. (Voir le tableau A.)
- Si vous utilisez une rallonge pour plusieurs outils, additionnez les ampères indiqués sur leur plaque signalétique et utilisez la somme pour déterminer le calibre minimum requis. (Voir le tableau A.)
- Si vous utilisez une rallonge à l'extérieur, assurez-vous qu'elle est marquée du suffixe « W » au Canada (« W-A » aux États-Unis) pour indiquer qu'elle convient aux utilisations à l'extérieur.
- Assurez-vous que la rallonge comporte la fiche adéquate et est en bon état. Remplacez toujours les rallonges endommagées ou faites-les réparer par un électricien qualifié avant de les utiliser.
- Protégez les rallonges de tout objet tranchant, chaleur excessive et endroits humides ou mouillés.

### Calibre minimum recommandé des rallonges électriques\* (120/140 volts)

| Ampères indiqués sur la plaque (à pleine charge) | Longueur de la rallonge |     |     |      |      |
|--|-------------------------|-----|-----|------|------|
|  | 25'                     | 50' | 75' | 100' | 150' |
| 0 – 2.0  | 18                      | 18  | 18  | 18   | 16   |
| 2.1 – 3.4  | 18                      | 18  | 18  | 16   | 14   |
| 3.5 – 5.0  | 18                      | 18  | 16  | 14   | 12   |
| 5.1 – 7.0  | 18                      | 16  | 14  | 12   | 12   |
| 7.1 – 12.0                                       | 18                      | 14  | 12  | 10   | —    |
| 12.1 – 16.0                                      | 14                      | 12  | 10  | —    | —    |
| 16.1 – 20.0                                      | 12                      | 10  | —   | —    | —    |

\*En limitant la chute de tension à 5 volts à 150 % de l'intensité nominale.

# LISTE DES PIÈCES



| Article | Service à la clientèle<br>No de pièce | Description                           |
|---------|---------------------------------------|---------------------------------------|
| 1a      | C800836                               | Embout pour latex de recharge, 515    |
| 1b      | C800837                               | Embout pour teinture de recharge, 413 |
| 2       | C800862                               | Buse et siège                         |
| 3       | Non disponible                        | Boîtier de pistolet de pulvérisation  |
| 4       | C806060                               | Protecteur pour buse de pulvérisation |
| 5a      | C800835                               | Filtre de recharge, 100               |
| 5b      | C800844                               | Filtre de recharge, 50                |
| 6       | Non disponible                        | Poignée pour pistolet                 |
| 7       | C800863                               | Pistolet de pulvérisation avec pivot  |
| 8       | C800861                               | Boyau                                 |
| 9       | C800879                               | Power-Flo Pro 2800                    |
| 10      | C817348                               | Huile                                 |
| 11      | C800875                               | Trousse de réparation de pompe        |
| 12      | C817939                               | Assemblage pour réglage de pression   |

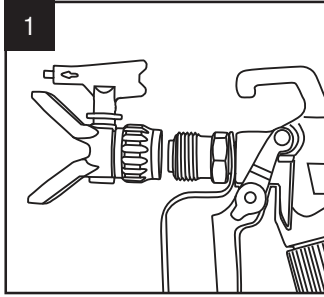
Si vous ne pouvez pas obtenir de pièces et accessoires du détaillant de votre région, téléphonez-nous ou visitez [homeright.com](http://homeright.com)

Téléphone : 763-780-5115  
1-800-264-5442  
de 8 h à 17 h HNC

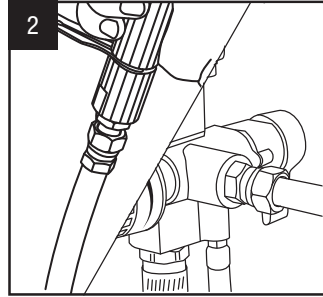
# GUIDE DE RÉFÉRENCE RAPIDE

Ceci n'est qu'un guide de référence rapide. Lisez le manuel d'instruction au complet avant d'utiliser ce produit.

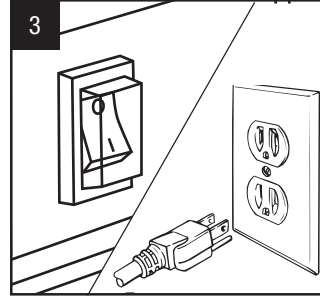
## Préparation



1 Enlevez la buse et le protecteur du pulvérisateur. Lors de la première utilisation du pistolet pulvérisateur, la buse et le protecteur ne doivent pas être fixés à celui-ci.

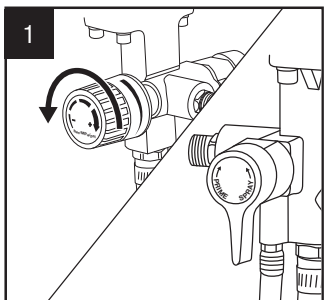


2 Raccordez le tuyau flexible au pistolet et au pulvérisateur.

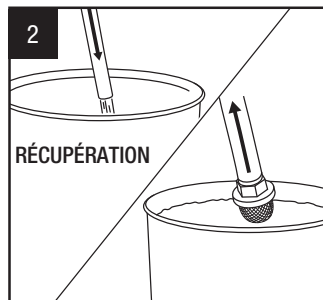


3 Tournez l'interrupteur d'alimentation sur ARRÊT. Branchez le pulvérisateur sur une prise électrique mise à la terre.

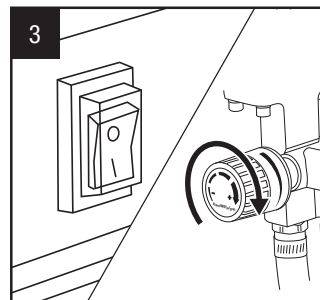
## Rinçage



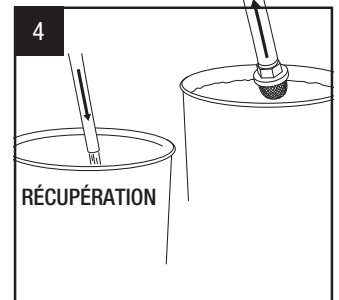
1 Tournez le bouton de réglage de pression dans le sens contraire des aiguilles d'une montre à la pression minimale. Tournez le robinet de démarrage / pulvérisation sur AMORCER (PRIME).



2 Placez le tube de retour dans un récipient de récupération. Plongez le tube d'aspiration dans de l'eau (pour les peintures à l'eau), du diluant ou du nettoyant (pour les peintures à l'huile).

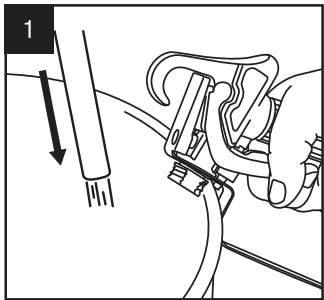


3 Tournez l'interrupteur d'alimentation sur MARCHÉ. Tournez le bouton de réglage de pression dans le sens des aiguilles d'une montre jusqu'à ce que la pompe démarre.

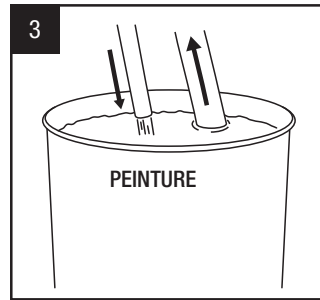
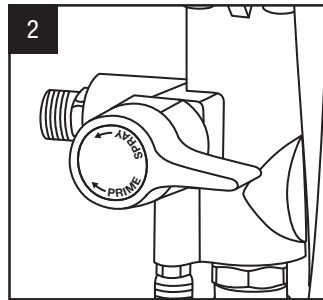


4 Laissez le liquide s'écouler du tube d'aspiration dans le seau de récupération pendant 30 à 60 secondes. Tournez l'interrupteur d'alimentation sur ARRÊT.

## Amorçage



1 Plongez le tube d'aspiration dans la peinture. Tournez l'interrupteur sur MARCHÉ, dirigez le pistolet vers le seau de récupération et appuyez sur la gâchette. Si de la peinture s'échappe du tube de retour, tournez le bouton Prime/Spray sur SPRAY. Lorsque la peinture jaillit du pistolet, relâchez la gâchette. La pompe augmente la pression puis le moteur s'arrête.

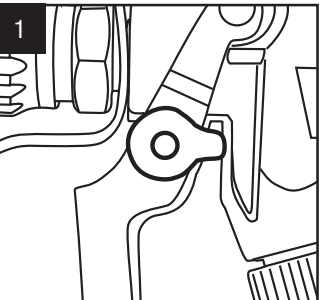


3 Placez le tube de retour dans le récipient de peinture.

### REMARQUE

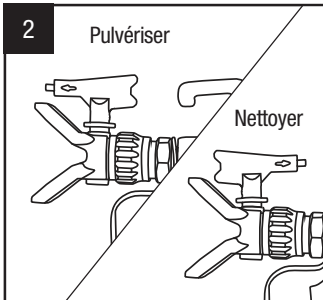
Si vous ne pouvez pas tourner le bouton de réglage sur Amorcer (PRIME), détachez le tube d'aspiration et insérez un tournevis pour enlever la valve d'entrée. Consultez la section « Le pistolet démarre mais n'aspire pas de peinture... » du chapitre Dépannage.

## Pulvérisation

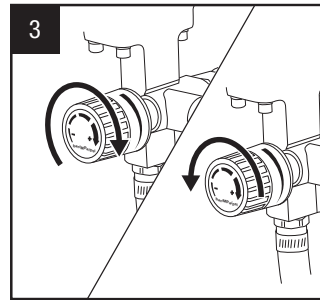


1 Placez le levier de la gâchette en position Cran de sûreté (SAFETY ON).

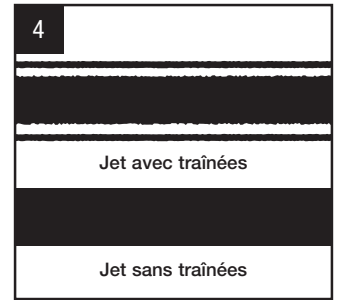
REMARQUE : Verrouillez toujours la gâchette lorsque l'appareil n'est pas utilisé, lors de l'entretien, des réglages ou du nettoyage.



2 Installez la buse et le protecteur du pulvérisateur et serrez à la main. Si la buse est obstruée, renversez la buse pour supprimer le bouchage sans désassembler le pulvérisateur. (Pour les instructions d'assemblage, consultez la page 8)



3 Tournez le bouton de réglage de pression du pistolet dans le sens des aiguilles d'une montre pour augmenter la pression et dans le sens opposé pour la réduire.

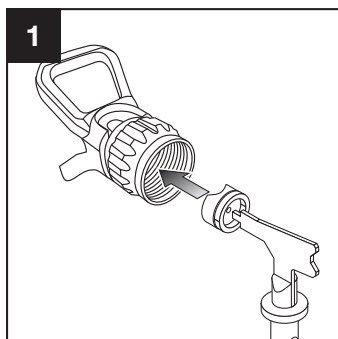
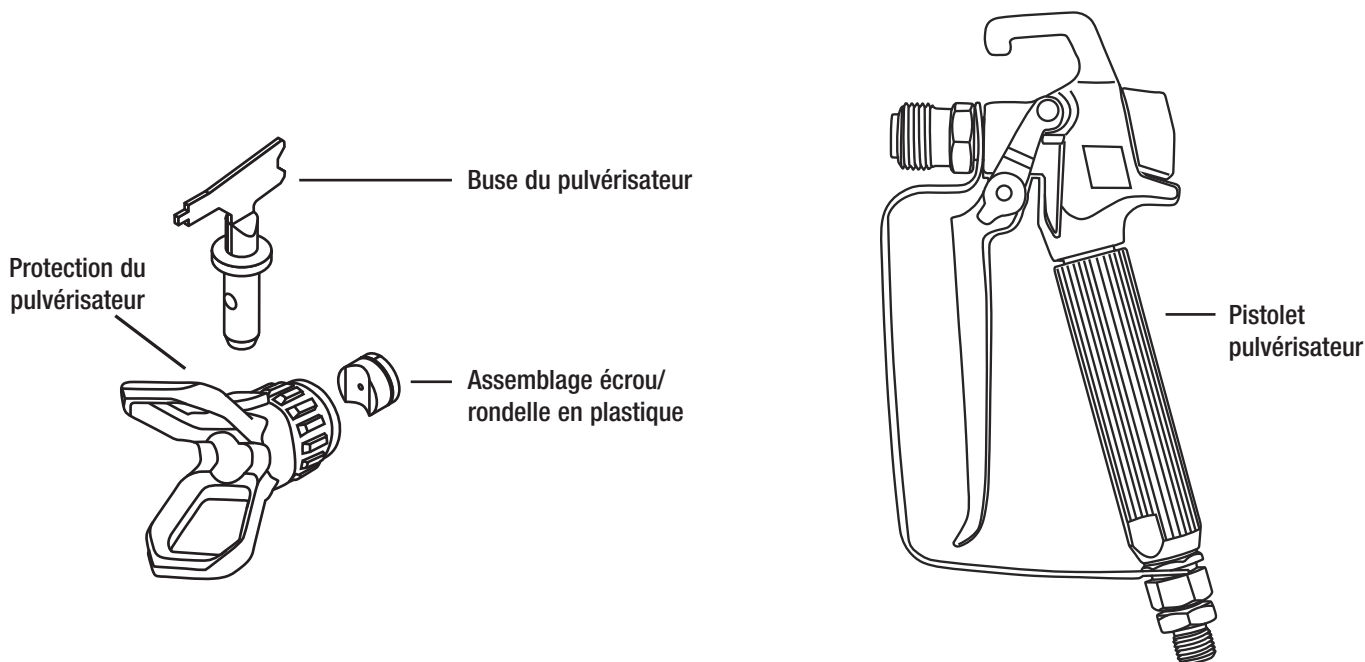


4 Déverrouillez le levier de la gâchette. Pointez le pistolet vers la surface à environ 30 cm (12 po) de celle-ci avant d'appuyer sur la gâchette. Si des traînées persistent même à haute pression, choisissez une buse plus petite ou diluez le produit.

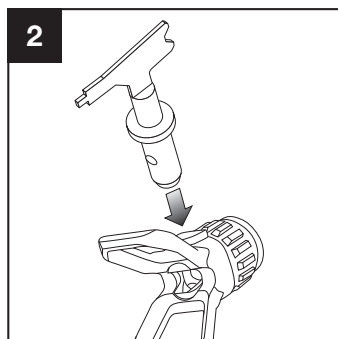
# ASSEMBLAGE DU PULVÉRISATEUR

## ASSEMBLAGE DU PULVÉRISATEUR POWER-FLO® PRO 2800

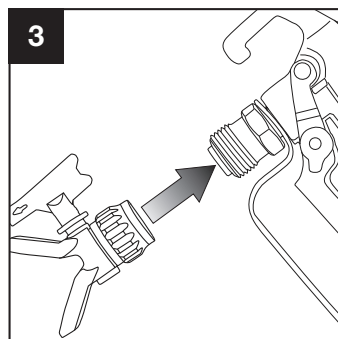
Lors de l'assemblage du pulvérisateur, il est important d'insérer correctement l'assemblage écrou/rondelle. L'écrou dispose d'un creux permettant de l'aligner avec la buse lors du montage. L'écrou et la rondelle en plastique sont fournis préassemblés.



Insérez l'écrou en premier dans la protection du pulvérisateur, tel qu'illustré, la partie courbée de l'écrou étant alignée avec le trou de la buse. Utilisez le pointeur en plastique sur la buse pour mettre correctement l'écrou en place, si nécessaire.



Insérez la buse dans la protection du pulvérisateur. La partie courbée de l'écrou doit épouser la forme avec la buse. Gardez la protection de la buse dirigée vers le bas pour éviter que l'assemblage écrou/rondelle tombe.



Tout en gardant la protection de la buse et le pistolet pulvérisateur dirigés vers le bas pour éviter que l'assemblage écrou/rondelle tombe, vissez la protection au pistolet et serrez à la main.

L'image ne reflète pas forcément le produit réel.

# MODE D'EMPLOI

## DÉBALLAGE

Lors du déballage vérifiez que l'appareil est intact et sans aucun dommage. Si une pièce est manquante ou brisée, veuillez appeler dès que possible au numéro indiqué sur la première page de ce manuel.

## DIRECTIVES D'ASSEMBLAGE

Lisez EN ENTIER la section des CONSIGNES DE SÉCURITÉ IMPORTANTES au début de ce manuel, y compris le texte figurant sous les sous-titres avant la préparation ou l'utilisation de ce produit.

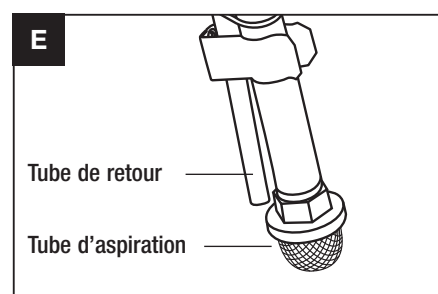
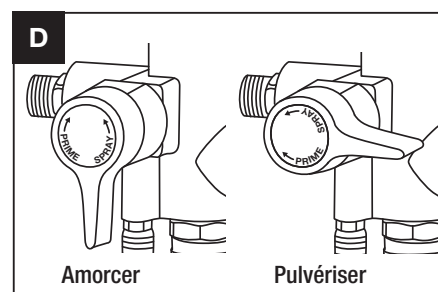
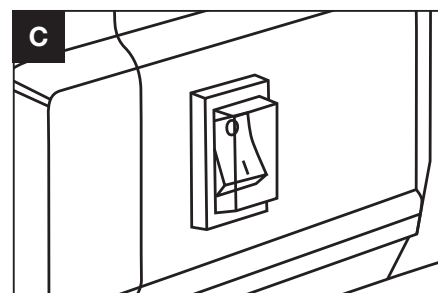
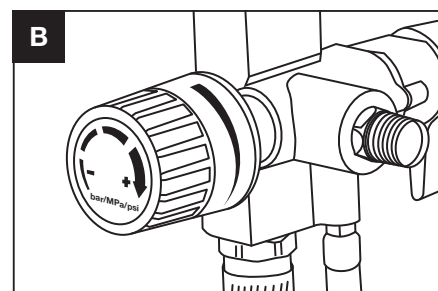
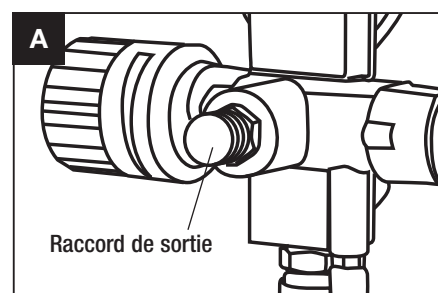
**AVERTISSEMENT** : Pour éviter de graves blessures découlant d'une mise en marche accidentelle, tournez l'interrupteur d'alimentation (*Figure C*) du Pulvérisateur haute pression à la position « ARRÊT » et débranchez le pulvérisateur de sa prise de courant avant de commencer la procédure d'assemblage.

**REMARQUE** : Pour de plus amples informations concernant les pièces indiquées dans les pages suivantes, reportez-vous au Diagramme d'assemblage vers la fin de ce manuel.

Enlevez le capuchon protecteur en plastique du raccord de sortie de peinture. Fixez le tuyau flexible haute pression. (*Figure A*) Fixez le pistolet pulvérisateur à l'autre extrémité. Serrez avec une clé. N'installez pas la buse de pulvérisation ni le protecteur.

## CARACTÉRISTIQUES DU PRODUIT

- **Bouton de réglage de pression.** Le bouton de réglage de pression contrôle la pression de sortie de la peinture. Tournez le bouton vers la droite pour augmenter la pression ou vers la gauche pour diminuer la pression. (*Figure B*)
- **Interrupteur d'alimentation** : Appuyez pour mettre le pulvérisateur en MARCHE ou sur ARRÊT. (*Figure C*)
- **Bouton d'amorçage / pulvérisation** : Tournez le bouton à l'horizontale pour utiliser le pulvérisateur. Tournez le bouton à la verticale pour mettre le pulvérisateur en mode « amorçage / nettoyage ». (*Figure D*)
- **Raccord de sortie** : Le tube flexible du pistolet se branche sur le raccord de sortie de peinture. (*Figure A*)
- **Tube d'aspiration** : Le tube d'aspiration aspire la peinture du récipient jusqu'au pistolet. (*Figure E*)
- **Tube de retour** : Lorsque de la dépressurisation de l'appareil ou de l'amorçage de la pompe, la peinture s'écoule du tube de retour. (*Figure E*)



# MODE D'EMPLOI

## DIRECTIVES D'UTILISATION

Lisez EN ENTIER la section des CONSIGNES DE SÉCURITÉ IMPORTANTES au début de ce manuel, y compris le texte figurant sous les sous-titres avant la préparation ou l'utilisation de ce produit.

### Préparation du pulvérisateur neuf

Laissez toujours le cran de sûreté de la gâchette en position verrouillée lors de la préparation de l'appareil. (Figure F)

- Placez le tube d'aspiration dans un seau rempli d'eau savonneuse.
- Placez le tube de retour dans un récipient de récupération en métal.
- Tournez complètement le bouton de réglage de pression vers la gauche (dans le sens contraire des aiguilles d'une montre) pour réduire la pression au minimum (Figure B, page 9).
- Placez le robinet d'amorçage / pulvérisation à la position Amorcer (Prime).
- Mettez l'appareil sous tension à l'aide de l'interrupteur Marche / Arrêt. (Figure C, page 9)
- Tournez le bouton de réglage de pression vers la droite pour actionner la pompe.
- Laissez fonctionner le pulvérisateur 15 à 30 secondes pour faire circuler le liquide d'essai dans le tube de retour jusqu'au récipient de récupération.
- Éteignez l'appareil à l'aide de l'interrupteur Marche / Arrêt. (Figure C, page 9)
- Plongez le tube d'aspiration dans la peinture. Tournez l'interrupteur sur MARCHÉ, dirigez le pistolet vers le seau de récupération. Lorsque la peinture s'échappe du tube de purge, tournez le robinet d'amorçage / pulvérisation sur PULVÉRISER (SPRAY). Lorsque la peinture jaillit du pistolet, relâchez la gâchette. La pompe augmente la pression puis le moteur s'arrête.
- Transférez le tube de retour dans le seau de peinture.
- Installez la buse de pulvérisation et le protecteur. Ne serrez pas trop.
- Le pulvérisateur est maintenant prêt à utiliser.

### Disposition de l'ouvrage et de l'aire de travail

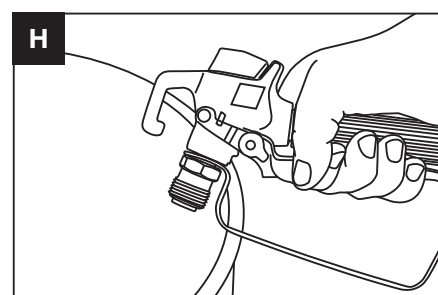
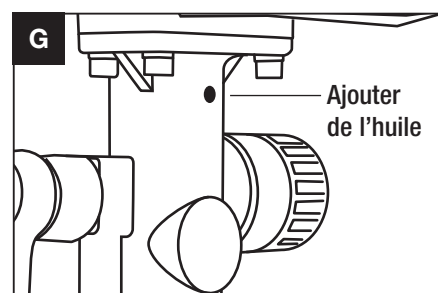
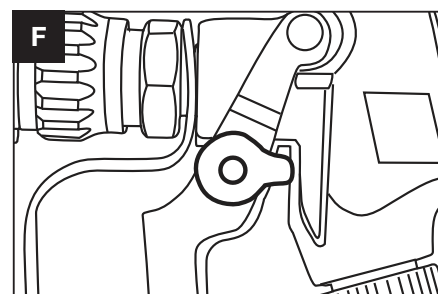
- Choisissez une aire de travail propre et bien éclairée. Elle doit être inaccessible aux enfants et aux animaux afin d'éviter toute blessure et distraction.
- Acheminez le cordon d'alimentation de façon sécuritaire jusqu'à l'aire de travail sans qu'il y ait un risque de trébucher dessus ou de l'endommager. Le cordon doit atteindre l'aire de travail avec suffisamment de jeu pour permettre la liberté de mouvement nécessaire aux travaux.
- Il ne doit y avoir aucun objet dangereux, telle qu'une ligne électrique, ou corps étranger présentant un risque lors des travaux.

## DIRECTIVES GÉNÉRALES D'UTILISATION

**REMARQUE :** Avant l'utilisation, ajoutez environ 12 gouttes d'huile à machinerie (Figure G). L'ajout de cette huile est une exigence quotidienne chaque fois que le pistolet est utilisé.

Avant d'utiliser le pulvérisateur, sachez à l'avance comment relâcher la pression de l'appareil :

- Engagez le cran de sûreté du pistolet. (Figure F)
- Tournez l'interrupteur d'alimentation en position « ARRÊT ». (Figure C, page 9)
- Tournez le bouton de réglage de pression à la position minimale. (Figure B, page 9)
- Déverrouillez le pistolet en tournant le cran de sûreté en position déverrouillée. (Figure F)
- Appuyez fermement le pistolet contre la paroi du récipient comportant une mise à la terre. (Figure H)
- Pulvérisez la peinture dans le contenant pour relâcher la pression.
- Verrouillez le pistolet en tournant le cran de sûreté en position verrouillée. (Figure F)
- Tournez le bouton de d'amorçage / pulvérisation à la position AMORCER (PRIME). (Figure D, page 9)



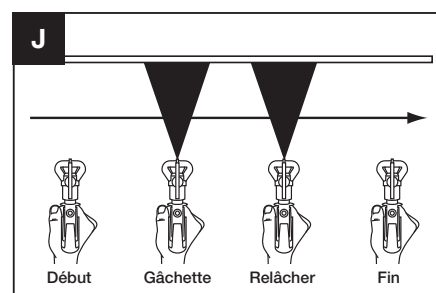
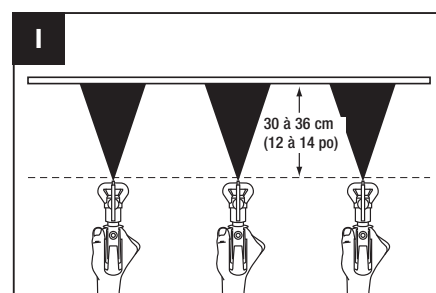
# MODE D'EMPLOI

## DÉMARRAGE

**IMPORTANT :** Ne faites pas fonctionner le pulvérisateur à sec pendant plus de 30 secondes. Vous risqueriez d'endommager le joint de la pompe.

**REMARQUE :** Avant de pulvériser de la peinture sur l'objet à peindre, il est recommandé de faire un essai sur un panneau de retaille.

- Déverrouillez le cran de sûreté. (Figure F, page 10)
- Assurez-vous que la buse est dirigée vers l'objet à peindre.
- Tenez le pulvérisateur perpendiculaire à la surface à environ 30 à 36 cm (12 à 14 po) de l'objet. (Figure I)
- Commencez le mouvement du pulvérisateur, puis appuyez sur la gâchette pour tester la forme du jet. (Figure J)
- Pour aligner la forme du jet, dépressurisez le système. Alignez le protecteur à l'horizontale pour obtenir un jet horizontal. Alignez le protecteur à la verticale pour obtenir un jet vertical.
- Pour aligner la forme du jet, dépressurisez le système. Desserrez le protecteur du pistolet. Alignez le protecteur à l'horizontale pour obtenir un jet horizontal. Alignez le protecteur à la verticale pour obtenir un jet vertical.



## CONSEILS POUR PEINDRE

Pour peindre correctement au pistolet, il faut une bonne connaissance de l'équipement, être familier avec les produits de peinture et avoir de l'expérience.

Les différences entre les peintures, les matériaux à peindre et les conditions de l'environnement rendent chaque tâche de peinture unique. Pour obtenir les meilleurs résultats, essayez votre mélange de peinture sur une retaille avant de commencer votre ouvrage.

Il est essentiel que la surface soit correctement préparée avant de la peindre. Il sera difficile d'obtenir une surface correctement peinte si la surface originale est sale, rugueuse ou humide.

Masquez les zones adjacentes de la surface que vous ne souhaitez pas peindre. Couvrez les objets environnants avec une bâche ou autrement pour les protéger de la poussière de peinture ou du jet.

La plupart du temps, il est préférable de déplacer le jet de peinture d'un côté à l'autre en chevauchant la passe précédente. Pour peindre de cette façon, le jet doit être vertical.

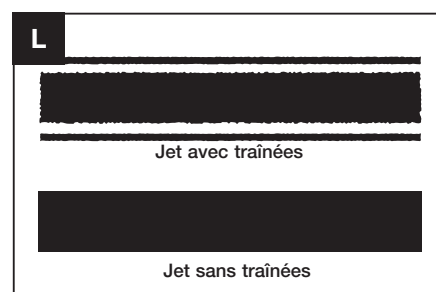
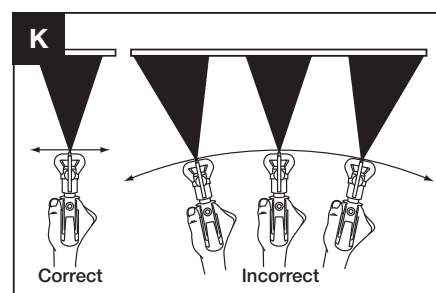
Il est important d'éviter l'excès de peinture au début et à la fin de chaque passe.

En dirigeant le pistolet hors de l'objet à peindre, appuyez sur la gâchette pour commencer le jet. Puis déplacez le pistolet vers l'objet à une distance de 30 à 35 cm (12 à 14 po).

Déplacez le pistolet d'un mouvement uniforme sur toute la largeur de l'objet en gardant une distance constante. À la fin de chaque passe, amenez le pistolet hors de l'objet tout en relâchant la gâchette.

Tout en travaillant, observez la façon dont la peinture s'accumule sur la surface. Il est plus important de maintenir une bonne surface que de former une couche de peinture opaque (épaisse). Il est toujours possible d'appliquer une deuxième couche pour obtenir la couverture souhaitée. Par contre, si la surface est ruinée, vous devrez recommencer sa préparation.

Si la surface ne devient pas lisse quelques secondes après l'application de la peinture, votre mélange de peinture est probablement trop épais. Diluez légèrement la peinture et faites un essai sur une retaille. Si la peinture semble très liquide et menace de couler, arrêtez aussitôt la pulvérisation. Ajoutez plus de peinture à votre mélange pour l'épaissir. Faites un nouvel essai sur une retaille avant de reprendre le travail.



# ENTRETIEN ET RÉPARATION

## ENTRETIEN ET RÉPARATION

**IMPORTANT** : Toute procédure qui n'est pas spécifiquement expliquée dans ce manuel doit être exécutée par un technicien qualifié.

### **AVERTISSEMENT**

#### **Pour éviter de graves blessures découlant d'une mise en marche accidentelle**

Avant le nettoyage, verrouillez la gâchette du pistolet, tournez le bouton de réglage de pression sur « ARRÊT », puis ouvrez le bouton d'amorçage / pulvérisation pour relâcher la pression.

Avant le rangement ou tout travail d'entretien ou de réparation, tournez l'interrupteur d'alimentation du pulvérisateur en position « ARRÊT », débranchez l'appareil de la prise de courant, et relâchez la pression résiduelle du système.

### **AVERTISSEMENT**

#### **Pour éviter de graves blessures en raison d'une mise en marche accidentelle**

N'utilisez jamais un appareil endommagé. En cas de bruit anormal ou de vibration, faites corriger le problème avant de continuer à utiliser l'appareil.

Avant chaque utilisation, inspectez l'état général du pulvérisateur. Vérifiez le serrage des vis, l'alignement des raccords, d'éventuelles fissures ou cassures des pièces, dommages aux fils électriques ou tuyaux, et tout état présentant un risque lors de l'utilisation.

#### **Pour nettoyer la buse de pulvérisation**

Lors de l'obstruction de la buse de pulvérisation, tournez celle-ci de 180° en position « Nettoyer ». (Figure M) Appuyez sur la gâchette et pulvérisez pour éliminer l'obstruction. Effectuez cette tâche à distance pour éliminer l'obstruction. Remplacez la buse en position « Pulvériser » et continuez de pulvériser. (Figure N) Si l'obstruction persiste, nettoyez ou remplacez le filtre du pistolet pulvérisateur. (Figure P)

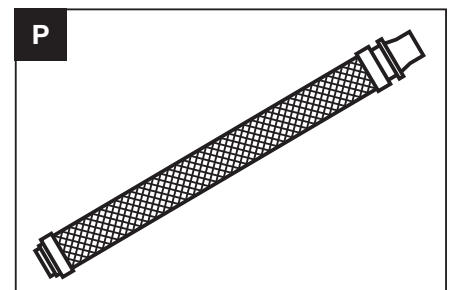
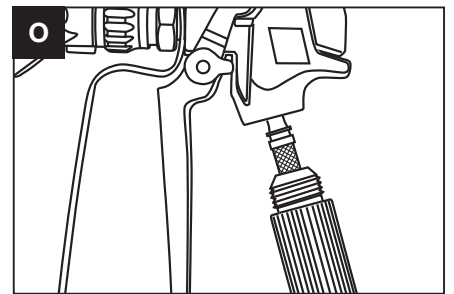
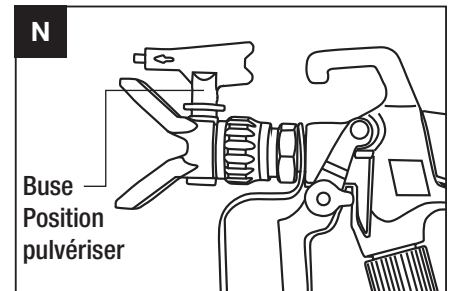
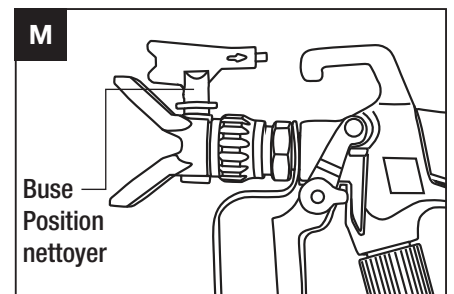
**IMPORTANT** : N'utilisez pas une aiguille ni un objet pointu pour nettoyer la buse, en risque de l'endommager.

#### **Pour changer la buse de pulvérisation**

Tournez la buse de pulvérisation de 90°. Retirez la buse du siège de l'embout. Installez une nouvelle buse sur le siège de l'embout. Tournez la buse de pulvérisation de 90° en position « Pulvériser ». (Figure N)

#### **Pour nettoyer le filtre du pistolet**

Dévissez la poignée (Figure O) du corps du pistolet pour accéder au filtre. (Figure P) Retirez le filtre et nettoyez-le avec une brosse (non incluse) et de l'eau (pour les peintures à l'eau) ou du solvant (pour les peintures à l'huile). Vérifiez si le filtre ne comporte pas de trous d'épingle, ni obstruction ni dommage. Remplacez-le s'il y a lieu. Reposez le filtre. Revissez la poignée sur le corps du pistolet. (Figure O)



# ENTRETIEN ET RÉPARATION

## NETTOYAGE

### Pour rincer le système :

Nettoyez avec de l'eau si vous utilisez une peinture à l'eau. Nettoyez avec du solvant si vous utilisez une peinture à l'huile.

**REMARQUE :** Le nettoyage et le rinçage sont également nécessaires si vous changez de couleur ou de type de peinture, comme d'une peinture à l'eau à une peinture à l'huile.

- Verrouillez la gâchette du pistolet. Tournez le bouton de réglage de pression sur « ARRÊT ». Ouvrez le bouton d'amorçage / pulvérisation pour relâcher la pression.
- Enlevez la buse et la protection, plongez-les dans le liquide de nettoyage.
- Tournez le bouton de réglage de pression en mode d'amorçage / pulvérisation.
- Alors que l'appareil fonctionne en mode d'amorçage / pulvérisation, sortez le tube de retour et le tube d'aspiration du récipient et laissez fonctionner le pistolet 10 à 15 secondes pour évacuer la peinture.
- Tournez le bouton de réglage de pression sur « ARRÊT ».
- Placez le tube de retour et le tube d'aspiration dans un contenant rempli d'eau (pour les peintures à l'eau) ou de solvant propre (pour les peintures à l'huile).
- Tournez le bouton d'amorçage / pulvérisation en mode amorçage. (position verticale) Une fois 30 secondes écoulées, passez en mode pulvérisation. (position horizontale)
- Déverrouillez la gâchette, tandis que la buse est encore enlevée, mettez le bouton de réglage de pression en mode d'amorçage / nettoyage.
- Dirigez le pistolet dans le récipient de peinture et maintenez la gâchette jusqu'à ce que le débit de peinture s'arrête et que l'eau ou le solvant commence à jaillir. Relâchez la gâchette. Dirigez le pistolet dans le contenant d'eau ou de solvant et actionnez-le pendant deux minutes. Pour réduire les éclaboussures, dirigez le jet vers la paroi intérieure du contenant, en angle et bien au-dessus du liquide (ou bien submergez la buse dans l'eau ou le solvant). Relâchez la gâchette. Pointez le pistolet à l'intérieur d'un récipient vide et pulvérisez environ 4 litres (1 gallon) de liquide à l'intérieur. Si le liquide contient encore de la peinture, recommencez avec 4 litres d'eau propre (pour peintures à l'eau) ou de solvant propre (pour les peintures à l'huile).

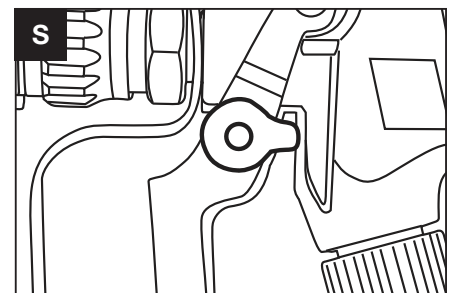
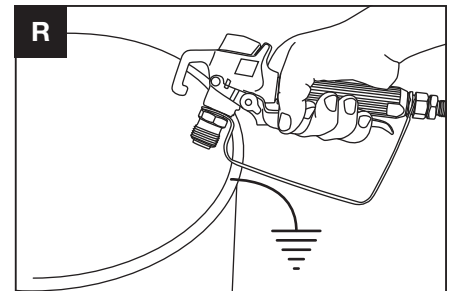
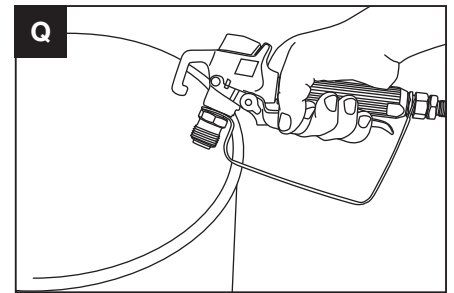
**AVERTISSEMENT!** Utilisez des récipients métalliques conducteurs pour rincer des liquides inflammable hors du système. Effectuez toujours la purge à basse pression et sans la buse. Une partie métallique du pistolet doit être fermement appuyée contre le récipient métallique mis à la terre lors du rinçage ou de la dépressurisation du pistolet. (Figure R)

- Purgez l'eau ou le solvant hors du système ou soulevant les tubes de retour et d'aspiration hors de l'eau ou du solvant. Tournez le bouton de réglage de pression au minimum, puis ouvrez le bouton d'amorçage / pulvérisation pour relâcher la pression. Verrouillez la gâchette avant de reposer la buse de pulvérisation sur le pistolet. (Figure S)
- Nettoyez la buse avec une brosse à soies douces à l'aide de la solution nettoyante appropriée puis remettez-la en place.
- Verrouillez la gâchette avant de reposer la buse de pulvérisation sur le pistolet (Figure S)  
*Par sécurité, verrouillez toujours la gâchette lorsque vous n'utilisez pas le pistolet.*

## RANGEMENT

Évitez la corrosion de la pompe et les dommages dus au gel. Entre les utilisations, ne laissez jamais de l'eau ou de la peinture à l'eau dans le pistolet par temps froid. Le gel du liquide peut l'endommager gravement. Purgez complètement le système de tout liquide avant de le ranger à l'intérieur à la température ambiante.

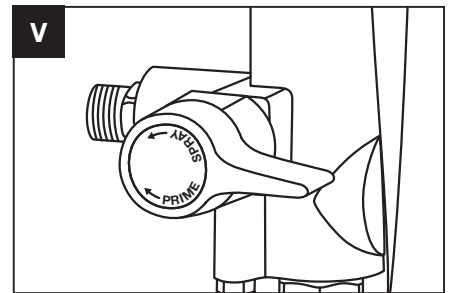
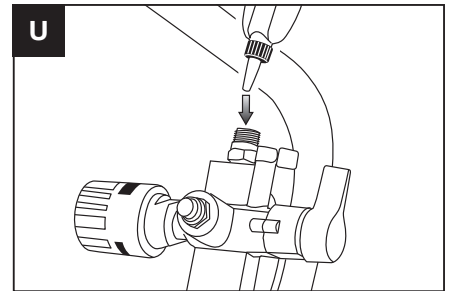
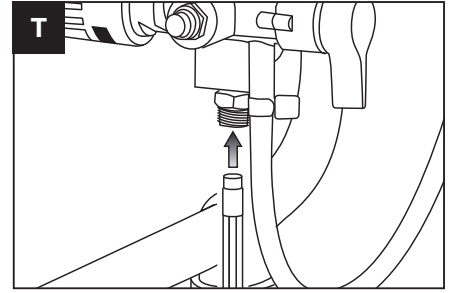
**AVERTISSEMENT!** Si le cordon de cet outil électrique est endommagé, il doit être remplacé par un technicien qualifié.



# RANGEMENT LONGUE DURÉE ET HIVERNAL

## POUR POMPE POWER-FLO PRO

- Retirez le boyau d'admission de l'orifice d'entrée et laissez le boyau de contournement à la verticale sur l'appareil.
- Utilisez un crayon ou un stylo pour redresser la sphère d'entrée pour que la solution de nettoyage puisse sortir de l'appareil. (Figure T)
- Retournez l'appareil sens dessus dessous et ajoutez 1/3 de l'huile fournie dans l'orifice d'entrée. (Figure U)
- Attendez 30 secondes puis retournez l'appareil sur ses pieds.
- Prenez soin de boucher les orifices d'entrée et de sortie avec une serviette de papier pour éviter les quelques éclaboussures d'huile dans les yeux et sur les vêtements.
- Positionnez l'interrupteur d'amorçage/pulvérisation au cycle d'amorçage (PRIME) et effectuez trois cycles de démarrage/arrêt à l'aide de l'interrupteur pour faire circuler l'huile dans l'appareil.
- Effectuez trois cycles de démarrage/arrêt à l'aide de l'interrupteur positionné à SPRAY (pulvérisation). (Figure V)
- Assurez-vous que l'entrée et le boyau de contournement se vidangent.
- L'appareil est prêt pour le rangement.

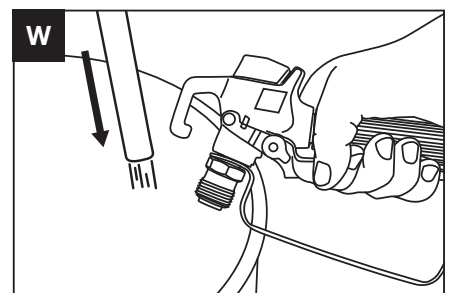


## POUR LE PISTOLET ET LE BOYAU

- Retirez le boyau haute pression de l'appareil et le pistolet du boyau.
- Retirez la buse et le protecteur du pistolet.
- Tenez le pistolet sens dessus dessous et ajoutez 20 gouttes d'huile dans l'entrée du pistolet.
- Pendant que le pistolet est sens dessus dessous, appuyez sur la gâchette pour faire circuler l'huile dans le pistolet.
- Déposez le boyau à plat et soulevez une extrémité pour vidanger le boyau ou utilisez un compresseur d'air dont la pression est réglée à 5 PSI pour évacuer la solution de nettoyage du boyau.
- Le boyau spirale et le boyau du pistolet sont prêts pour le rangement.

## MÉTHODE ALTERNATIVE

- Immergez le tuyau d'aspiration dans de l'antigel pour VR (N'UTILISEZ PAS d'antigel pour automobile).
- Retirez la buse de pulvérisation et le protecteur du pistolet de pulvérisation, positionnez l'interrupteur d'amorçage/pulvérisation sur « Prime » (amorçage), puis allumez l'interrupteur. Lorsque l'antigel sort du tube de retour, positionnez l'interrupteur d'amorçage/pulvérisation sur « Spray » (pulvérisation) et appuyez sur la gâchette du pistolet pour le vidanger dans un seau\* (Figure W)
- Faites fonctionner ainsi jusqu'à ce que l'antigel rose pour VR sorte du pistolet de pulvérisation.
- Ceci protégera et lubrifiera jusqu'à une température de -45 °C (-50 °F)



\* Consultez les règlements locaux pour la mise aux rebuts.

# DÉPANNAGE

| PROBLÈME  | CAUSE  | SOLUTION   |
|---|--|--|
| Le moteur ne fonctionne pas.  | <p>A. Il n'y a pas de courant dans la prise.</p> <p>B. Le cordon électrique n'est pas branché.</p> <p>C. Le bouton de réglage de pression est au minimum (complètement tourné dans le sens contraire des aiguilles d'une montre).</p> <p>D. La buse ou le filtre est obstrué.</p> <p>E. La pompe est gelée ou contient de la peinture sèche.</p> <p>F. Le moteur est défectueux.</p>   | <p>A. Vérifiez si la courant est sous tension. Vérifiez le disjoncteur du circuit.</p> <p>B. Assurez-vous que le cordon est bien branché.</p> <p>C. Tournez le bouton dans le sens des aiguilles d'une montre pour augmenter la pression.</p> <p>D. Relâchez la pression. Nettoyez la buse et/ou le filtre.</p> <p>E. Laissez le pulvérisateur dégeler s'il contient de l'eau ou de la peinture à l'eau. Ne le faites pas fonctionner tant qu'il n'est pas complètement dégelé. Si le pistolet contient de la peinture sèche, remplacez les joints d'étanchéité de la pompe.</p> <p>F. Faites remplacer le moteur par un technicien qualifié si le ventilateur ne tourne pas.</p>  |
| Faible débit de sortie  | <p>A. Buse de pulvérisation usée.</p> <p>B. La pompe est défectueuse.</p> <p>C. Le robinet d'amorçage fuit.</p> <p>D. Les raccords du tube d'aspiration sont mal fixés.</p> <p>E. Rallonge trop longue ou d'un mauvais calibre.</p> <p>F. Moteur usé ou défectueux.</p>  | <p>A. Remplacez la buse de pulvérisation.</p> <p>B. Demandez à un technicien qualifié de réparer ou de remplacer la pompe.</p> <p>C. Relâchez la pression. Réparez le robinet d'amorçage.</p> <p>D. Resserrez les raccords lâches. Vérifiez le joint torique du tube d'aspiration.</p> <p>E. Remplacez-la par une rallonge de la bonne longueur et du calibre approprié.</p> <p>F. Faites remplacer le moteur par un technicien qualifié si le ventilateur ne tourne pas.</p>  |
| Le pistolet démarre mais n'aspire pas de peinture lorsque le bouton d'amorçage / pulvérisation est placé sur AMORCER (PRIME). | <p>A. Le pulvérisateur ne s'amorce pas correctement ou s'est désamorcé.</p> <p>B. Le pulvérisateur n'est pas de niveau.</p> <p>C. Le filtre d'admission est obstrué.</p> <p>D. Le robinet d'admission ou de sortie est coincé.</p> <p>E. Le robinet d'admission est usé ou endommagé.</p> <p>F. Le robinet d'amorçage / pulvérisation est obstrué. Appuyez sur l'onglet du filtre pour le libérer.</p> <p>G. L'unité ne peut s'amorcer correctement.</p> | <p>A. Essayez de réamorcer le pistolet.</p> <p>B. Placez le pulvérisateur sur une surface de niveau.</p> <p>C. Nettoyez le filtre d'admission.</p> <p>D. Nettoyez les soupapes d'admission et d'évacuation et remplacez les pièces usées. La soupape d'entrée peut être obstruée par de la peinture séchée. Retirez le boyau d'admission et avec un crayon ou un stylo, insérez jusqu'à ce qu'une résistance se fasse sentir. Ceci vous permettra de libérer la soupape d'admission. Image T, page 14</p> <p>E. Remplacez le robinet d'admission.</p> <p>F. Confiez le pulvérisateur à un technicien qualifié.</p> <p>G. Laissez l'unité se reposer pour une minute, puis re-principal avec de l'eau. Assurez-vous que le bon écoulement d'eau vient par le pistolet avant commutateur de nouveau à la peinture.</p> |
| Le pulvérisateur aspire de la peinture mais la pression chute dès que l'on appuie sur la gâchette.                            | <p>A. La buse de pulvérisation usée.</p> <p>B. Le filtre d'admission est obstrué.</p> <p>C. Le filtre de la buse ou du pistolet est obstrué.</p> <p>D. La peinture est trop lourde ou épaisse.</p> <p>E. L'ensemble de robinet de sortie est sale ou usé.</p> <p>F. Le robinet d'admission est usé ou endommagé.</p>   | <p>A. Remplacez la buse de pulvérisation.</p> <p>B. Nettoyez le filtre d'admission.</p> <p>C. Nettoyez ou remplacez le filtre adéquat. Ayez toujours des filtres de réserve sous la main.</p> <p>D. Diluez ou remuez la peinture.</p> <p>E. Nettoyez ou remplacez l'ensemble de robinet de sortie.</p> <p>F. Remplacez le robinet d'admission.</p>   |
| Le robinet d'amorçage / pulvérisation est réglé sur PULVÉRISER (SPRAY) mais du liquide s'écoule dans le tube de retour.       | <p>A. Le robinet d'amorçage / pulvérisation est sale ou usé.</p>   | <p>A. Confiez le pulvérisateur à un technicien qualifié.</p>   |
| Le pistolet ne pulvérise pas.   | <p>A. Le filtre de la buse ou du pistolet est obstrué.</p> <p>B. La buse de pulvérisation est en position NETTOYER (CLEAN).</p> <p>C. Le bouton d'amorçage / pulvérisation n'est pas réglé sur PULVÉRISER (SPRAY).</p>   | <p>A. Nettoyez la buse ou le filtre. Consultez la section <i>Pour nettoyer la buse de pulvérisation</i>.</p> <p>B. Réglez la buse de pulvérisation en position PULVÉRISER (SPRAY).</p> <p>C. Placez le bouton d'amorçage / pulvérisation sur PULVÉRISER (SPRAY).</p>   |
| Jet irrégulier.   | <p>A. Réglez le bouton de réglage de pression.</p> <p>B. Buse obstruée.</p>  | <p>A. Augmentez la pression ou la quantité de diluant.</p> <p>B. Inversez la buse et la gâchette pour supprimer le blocage. Pour désobstruer, faites un essai sur un panneau de retaille.</p>  |



# **PISTOLET PULVÉRISATEUR SANS AIR COMPRIMÉ POWER- FLO PRO 2800 1/2 HP**

**⚠️ AVERTISSEMENT** POUR RÉDUIRE LES RISQUES DE BLESSURE, L'UTILISATEUR DOIT LIRE ET COMPRENDRE LE MANUEL D'INSTRUCTION.

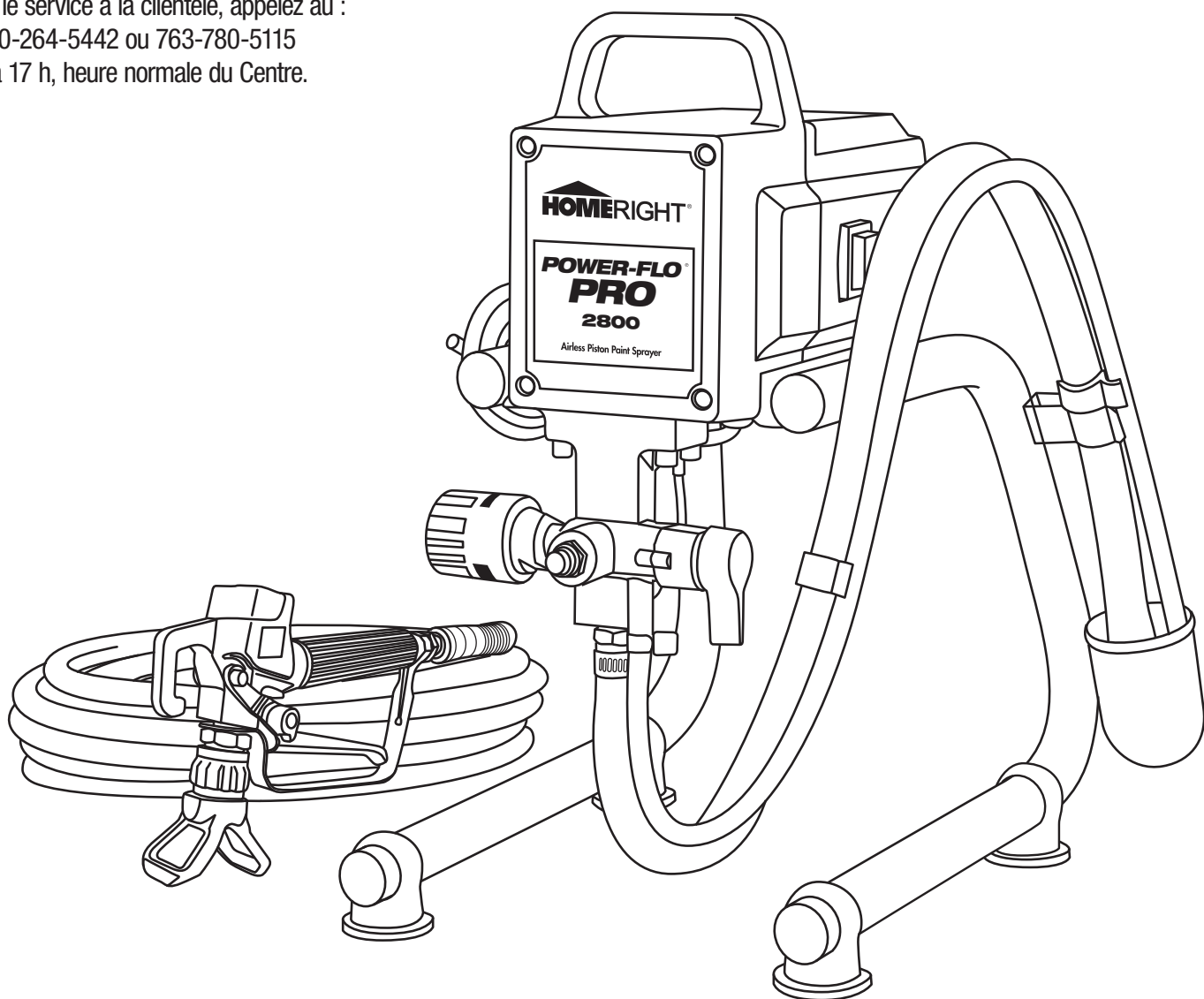
DESTINÉ À UN USAGE DOMESTIQUE SEULEMENT.

TENEZ LES ENFANTS ÉLOIGNÉS DE L'AIRE DE TRAVAIL.

Pour le service à la clientèle, appelez au :

1-800-264-5442 ou 763-780-5115

8 h à 17 h, heure normale du Centre.



**Regístrese en línea hoy  
Para activar su garantía de dos años**

Vaya en línea en [www.homeright.com](http://www.homeright.com) o explore el código de QR a la izquierda. Vea detrás la paginación para los detalles de la garantía.

# ÍNDICE

|  |    |
|--|----|
| <b>MEDIDAS DE PROTECCIÓN IMPORTANTES</b> ..... | 27 |
| △ Advertencias.....                            | 27 |
| Instrucciones de puesta a tierra .....         | 28 |
| Cables de extensión .....                      | 29 |
| <b>LISTA DE PIEZAS</b> .....                   | 30 |
| <b>GUÍA DE REFERENCIA RÁPIDA</b> .....         | 31 |
| <b>MODO DE EMPLEO</b> .....                    | 32 |
| Desembalaje.....                               | 32 |
| Funcionamiento.....                            | 33 |
| Inicio.....                                    | 34 |
| Sugerencias.....                               | 34 |
| <b>MANTENIMIENTO Y SERVICIO</b> .....          | 34 |
| Instrucciones de limpieza.....                 | 35 |
| Almacenamiento.....                            | 36 |
| <b>RESOLUCIÓN DE PROBLEMAS</b> .....           | 37 |
| <b>GARANTÍA LIMITADA DE DOS AÑOS</b> .....     | 44 |

# MEDIDAS DE PROTECCIÓN IMPORTANTES

## GUARDE ESTE MANUAL

Guarde este manual para poder consultar las advertencias y precauciones de seguridad y los procedimientos de montaje, funcionamiento, inspección, mantenimiento y limpieza. Escriba el número de serie del producto (o el mes y el año de compra, si el producto no tiene el número) en la parte posterior de este manual. Para referencia futura, mantenga el manual y el recibo en un lugar seguro y seco.

## INFORMACIÓN IMPORTANTE DE SEGURIDAD

En este manual, en el etiquetado y en todas las otras informaciones que acompañan a este producto:

El símbolo de alerta de seguridad se utiliza para advertir sobre riesgos de sufrir lesiones. Para evitar posibles lesiones, o incluso la muerte, obedezca todos los mensajes de seguridad que acompañan a este símbolo.

**⚠ PELIGRO:** Indica una situación peligrosa que, no de evitarse, ocasionará la muerte o lesiones graves.

**⚠ ADVERTENCIA:** Indica una situación peligrosa que, no de evitarse, podría ocasionar la muerte o lesiones graves.

**⚠ PRECAUCIÓN:** Utilizado con el símbolo de alerta de seguridad, indica una situación peligrosa que, no de evitarse, podría ocasionar lesiones leves o moderadas.

**AVISO:** Se utiliza para referirse a prácticas no causantes de lesiones.

**PRECAUCIÓN:** Sin el símbolo de alerta de seguridad, se utiliza para referirse a prácticas no causantes de lesiones.

Lea todas las instrucciones y advertencias de seguridad.

El incumplimiento de las instrucciones y advertencias podría dar lugar a descargas eléctricas, incendios o lesiones graves. Guarde todas las advertencias e instrucciones para referencia futura. El término "herramienta eléctrica" mencionado en las advertencias se refiere a la pistola rociadora sin aire de 1/2 HP alimentada mediante un cable conectado a una fuente de electricidad.

## ⚠ ADVERTENCIAS

### Seguridad del área de trabajo

- Mantenga el área de trabajo limpia y bien iluminada. Los ambientes desordenados u oscuros propician los accidentes.
- No maneje herramientas eléctricas en atmósferas explosivas, por ejemplo, en presencia de polvos, gases o líquidos inflamables. Las herramientas eléctricas crean chispas que pueden encender el polvo o los gases.
- Al trabajar con una herramienta eléctrica, mantenga alejados a niños y espectadores. Cualquier distracción podría hacerle perder el control.

### Requisitos de seguridad para equipos eléctricos

- Los enchufes de las herramientas eléctricas deben encajar perfectamente en el tomacorriente. No modifique el enchufe de manera alguna. No utilice adaptadores de enchufes en herramientas eléctricas conectadas a tierra. El uso de enchufes no modificados y conectados a tomacorrientes de la misma configuración reducirá los riesgos de descargas eléctricas.
- Evite el contacto del cuerpo con superficies conectadas a tierra (por ejemplo, tuberías, radiadores, estufas y refrigeradores). Los riesgos de descargas eléctricas aumentan si el cuerpo está expuesto a tierra.
- No exponga las herramientas eléctricas a lluvia o humedad. Los riesgos de descargas eléctricas aumentarán al entrar agua en una herramienta eléctrica.
- No maltrate el cable eléctrico. No lo use nunca para transportar, arrastrar o desenchufar la herramienta eléctrica. Mantenga el cable alejado de fuentes de calor, aceite, bordes afilados o piezas móviles. Los cables dañados o enredados aumentan los riesgos de descargas eléctricas.

- Al trabajar con una herramienta eléctrica al aire libre, utilice un cable de extensión (no suministrado) apropiado para uso en exteriores. El uso de un cable apropiado para ambientes exteriores reduce los riesgos de descargas eléctricas.

### Seguridad personal

- Al trabajar con una herramienta eléctrica, manténgase alerta, ponga atención a la tarea que está realizando y use su sentido común. No trabaje con herramientas eléctricas si está cansado o bajo el efecto de drogas, alcohol o medicamentos. Cuando se trabaja con una herramienta eléctrica, tan sólo un momento de descuido puede dar como resultado lesiones graves.
- Lleve puestos equipos de protección personal. Póngase siempre protección para los ojos. El uso de equipos de seguridad (tales como una careta antipolvo y zapatos antideslizantes) reducirá el riesgo de sufrir lesiones.
- Prevenga los arranques accidentales de la herramienta. Verifique que el interruptor esté apagado antes de enchufar el producto a la fuente eléctrica.
- No extienda su cuerpo ni adopte posturas forzadas. Manténgase siempre en equilibrio, con ambos pies apoyados en el suelo. Así, podrá tener un mejor control de la herramienta eléctrica ante situaciones inesperadas.
- Vístase con ropa apropiada. Lleve puesta ropa protectora según las instrucciones del fabricante de la pintura.
- Utilice únicamente equipos de seguridad que hayan sido aprobados por un organismo normativo apropiado. Los equipos de seguridad no aprobados podrían no ofrecer una protección adecuada. Los equipos de protección ocular y de protección respiratoria deben estar aprobados por, respectivamente, ANSI y NIOSH, para los peligros específicos del área de trabajo.

### Advertencias de seguridad específicas

- Las etiquetas y las placas de identificación contienen información de seguridad importante; no las elimine.
- Lleve siempre puestas gafas de seguridad aprobadas por ANSI, y respiradores o caretas aprobados por NIOSH. Ciertas máscaras faciales (por ejemplo, las que tienen filtro de papel) ofrecen únicamente protección limitada contra vapores y rociados peligrosos. Consulte los documentos de seguridad suministrados con los materiales que se vayan a rociar o comuníquese con un experto en seguridad industrial para determinar la protección respiratoria adecuada.
- Póngase guantes de trabajo para uso pesado, protectores para los oídos aprobados por NIOSH, camisas de manga larga, pantalones de mezclilla ("jeans") de pierna completa y zapatos de seguridad antideslizantes.
- Este rociador sin aire de alta presión es capaz de producir 3,000 psi e inyectar toxinas en el cuerpo y causar lesiones graves. En caso de que se produzca una inyección accidental, busque atención médica de inmediato.
- No apunte la pistola ni rocíe hacia ninguna persona o animal.
- No ponga nunca las manos, los dedos ni ninguna otra parte del cuerpo enfrente de la boquilla rociadora si la pistola no está desconectada y despresurizada.
- Haga una prueba de rociado en un material de desecho antes de rociar la pintura en el objeto que se va a pintar. El rociado a alta presión podría causar daños a personas u objetos.
- Utilice siempre el protector de la punta de la boquilla. No trabaje nunca con una pistola que no tenga puesto el protector de la punta. Utilice únicamente una punta de boquilla especificada por el fabricante. Alivie siempre la presión antes de sacar la punta de la boquilla para hacer la limpieza.
- No deje la unidad energizada ni bajo presión mientras esté desatendida. Si no va a usar más la unidad, apáguela y alivie la presión.

# MEDIDAS DE PROTECCIÓN IMPORTANTES

- Cuando no esté rociando, ponga el seguro del gatillo. Compruebe el funcionamiento correcto del seguro del gatillo.
- Compruebe que todas las conexiones estén bien seguras antes de poner a funcionar la unidad.
- Examine siempre la manguera para ver si tiene daños. Cámbiela si está dañada. No retuerza ni doble excesivamente la manguera.
- Coloque las mangueras y los cables lejos de zonas de tráfico, bordes afilados, piezas móviles y superficies calientes.
- No rocíe nunca objetos que estén cerca de fuentes de fuego, llamas, chispas eléctricas u otras fuentes de ignición. No fume nunca en lugares donde se esté rociando o cerca de ellos. No fume nunca a menos que la zona haya sido completamente ventilada. Asegúrese de que siempre haya una buena ventilación. Ventile durante y después del rociado para eliminar toda atmósfera explosiva encerrada.
- Lea y entienda las instrucciones y precauciones suministradas por el fabricante de cada pintura /disolvente antes de usar el rociador. Nunca rocíe los siguientes disolventes con un rociador que contenga aluminio:
  - 1, 1, 1-tricloroetano
  - Cloruro de metileno
  - Hidrocarburos halogenados
- No rocíe nunca los disolventes mencionados con ningún rociador que contenga aluminio. No use nunca estos disolventes para la limpieza del equipo. No use nunca ningún disolvente si tiene dudas sobre su composición o compatibilidad con el aluminio, con otros materiales o con este rociador sin aire. Tal uso podría provocar reacciones químicas intensas y la rotura del equipo, con consiguientes daños a bienes materiales y/o lesiones.
- Si el rociador se usa únicamente con materiales a base de agua, no lo use con líquidos inflamables ni lo limpie con estos.
- Si se usa únicamente con materiales a base de agua o alcoholes minerales que tengan un mínimo punto de inflamación de 21 °C (69.8 °F), no lo use con líquidos cuyo punto de inflamación sea inferior a 21 °C (69.8 °F) ni lo limpie con ellos.
- El flujo de pintura o disolvente a través del equipo puede producir electricidad estática. En presencia de pintura o vapores de disolventes, la electricidad estática crea un riesgo de incendio o explosión.
- Todas las piezas del rociador sin aire y objetos que estén en la zona y sus cercanías deben tener una conexión a tierra adecuada para que haya protección contra chispas y descargas estáticas.
- Utilice únicamente recipientes metálicos conductores colocados sobre una superficie con conexión a tierra, como hormigón. No coloque el recipiente sobre una superficie no conductora tal como papel o cartón, ya que se interrumpiría la continuidad de la conexión a tierra. Conecte siempre un cable de tierra al recipiente; para ello, pince un extremo al recipiente y el otro a una tierra tal como un tubo de agua.
- A fin de mantener la continuidad de la conexión a tierra al enjuagar o aliviar la presión, sujete firmemente la pieza metálica de la pistola rociadora contra el lado de un recipiente metálico conectado a tierra. Luego active la pistola rociadora.
- Utilice únicamente mangueras de rociadores de pintura sin aire de alta presión conectadas a tierra o conductoras especificadas por el fabricante.
- Para prevenir las descargas estáticas, compruebe que todos los recipientes y sistemas de recogida estén conectados a tierra.
- No active interruptores de luz, motores o productos similares productores de chispas en la zona de rociado.
- Mantenga el área libre de recipientes de pinturas y disolventes, trapos y otros materiales inflamables.
- Tenga siempre en las cercanías varios extintores de fuego de clase ABC.
- Evite los arranques accidentales de la herramienta. Prepárese para comenzar a trabajar antes de encender la herramienta.
- Esta unidad consta de un mecanismo de reinicio con protección térmica. En caso de que ocurra una sobrecarga, el mecanismo de reinicio desconectará el motor de la fuente de alimentación.
- Si el mecanismo de reinicio con protección térmica desconecta el motor de la fuente de alimentación, alivie la presión girando la perilla de ajuste de presión (69A) a la posición de apagado.
- Pase el interruptor de encendido (33A) a la posición de apagado ("OFF").
- Antes de volver a comenzar, se deberá corregir la causa de la sobrecarga. (Consulte el apartado "Resolución de problemas".)
- Presione el botón de reinicio que está en la parte inferior de la unidad.
- Para reiniciar, encienda el interruptor (33A).
- Este producto no es un juguete; manténgalo fuera del alcance de los niños.
- Las personas que tengan marcapasos deben consultar con sus médicos antes de usar este producto. Los campos electromagnéticos cerca de un marcapasos cardíaco podrían interferir en el funcionamiento o causar una falla del marcapasos. Además, si usted tiene un marcapasos:
  - Evite trabajar a solas.
  - No deje bloqueado el interruptor de encendido mientras trabaja.
  - Realice el mantenimiento e inspección adecuados para evitar descargas eléctricas.
  - Todo cable eléctrico debe tener una adecuada conexión a tierra. También debe conectarse la unidad a un GFCI (interruptor accionado por pérdida de conexión a tierra) para prevenir descargas eléctricas prolongadas.
  - Ciertos polvos y emanaciones creados durante los trabajos de pintura, lijado eléctrico, aserrado, rectificado, perforado y otras actividades de construcción contienen productos químicos reconocidos en el estado de California como causantes de cáncer, defectos congénitos u otros daños del aparato reproductor. Algunos ejemplos de dichos productos químicos son:
    - Plomo de pinturas a base de plomo.
    - Sílice cristalina de ladrillos y cemento u otros productos de mampostería.
    - Arsénico y cromo de maderas con tratamiento químico.
  - El riesgo a estas exposiciones varía según la frecuencia con que se haga este tipo de trabajo. Para reducir su exposición a dichas sustancias químicas: trabaje en una zona bien ventilada y con equipos de seguridad aprobados como máscaras antipolvo diseñadas para filtrar partículas microscópicas. (Código de Salud y Seguridad de California § 25249.5, et seq.)
  - **ADVERTENCIA:** Los componentes de latón de este producto contienen plomo, que es un elemento químico conocido en el estado de California como causante de defectos congénitos u otros daños al aparato reproductor. (Código de Salud y Seguridad de California § 25249.5, et seq.)
  - **ADVERTENCIA:** La manipulación del cable eléctrico (37A) de este producto causa exposición al plomo, que es un elemento químico conocido en el estado de California como causante de cáncer, defectos congénitos u otros daños al aparato reproductor. Lávese las manos después de manipularlo. (Código de Salud y Seguridad de California § 25249.5, et seq.)
  - Las advertencias, precauciones e instrucciones contenidas en este manual de instrucciones no pueden cubrir todas las cosas que pudieran suceder. El usuario tiene que entender que es imperativo (y que será su responsabilidad) proceder con sentido común y precaución al usar este producto.

# MEDIDAS DE PROTECCIÓN IMPORTANTES

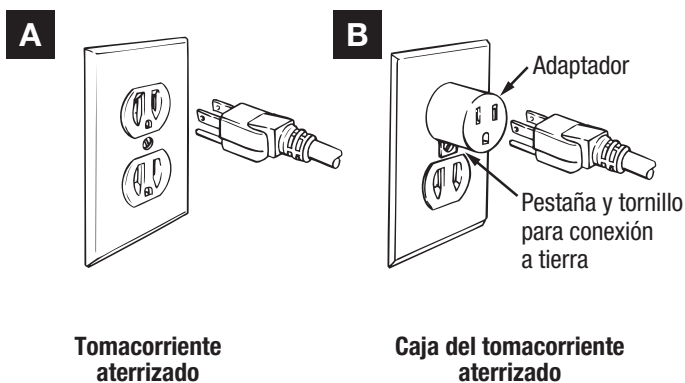
## CONEXIÓN A TIERRA

PARA PREVENIR DESCARGAS ELÉCTRICAS Y LA MUERTE DEBIDO A UNA CONEXIÓN INCORRECTA DE CABLE A TIERRA:

### ⚠️ ADVERTENCIA

Consulte con un electricista calificado si tiene dudas respecto a la conexión a tierra del tomacorriente. No modifique el enchufe del cable eléctrico suministrado con la herramienta. No quite nunca la clavija de conexión a tierra del enchufe. No utilice la herramienta si el cable eléctrico o el enchufe están dañados. En caso de presentar daños, mándelos a un centro de servicios para que se los reparen antes de usarlos. Si el enchufe no encaja perfectamente en el tomacorriente, pídale a un electricista calificado que le instale un tomacorriente adecuado.

Figure 1



### Herramientas conectadas a tierra con enchufe de 3 clavijas

- Las herramientas marcadas con el letrero "Grounding Required" ("Se requiere conexión a tierra") tienen un cable de tres hilos y un enchufe de tres clavijas con conexión a tierra. El enchufe debe conectarse a un tomacorriente debidamente conectado a tierra. En caso de que la herramienta tenga algún desperfecto eléctrico o se descomponga, la conexión a tierra reduce el riesgo de descargas eléctricas al proporcionar una vía de baja resistencia para desviar la corriente eléctrica de la trayectoria del usuario. (Figura 1)
- La clavija de conexión a tierra del enchufe está conectada mediante el hilo verde del interior del cable al sistema de conexión a tierra de la herramienta. El hilo verde del cable debe ser el único conectado al sistema de tierra de la herramienta y no debe nunca conectarse a un terminal que esté bajo tensión. (Figura 1)
- La herramienta debe enchufarse en un tomacorriente apropiado, que esté correctamente instalado y conectado a tierra de conformidad con todos los códigos y reglamentos. El enchufe y el tomacorriente deben asemejarse a los de la figura 1.

## CABLES DE EXTENSIÓN

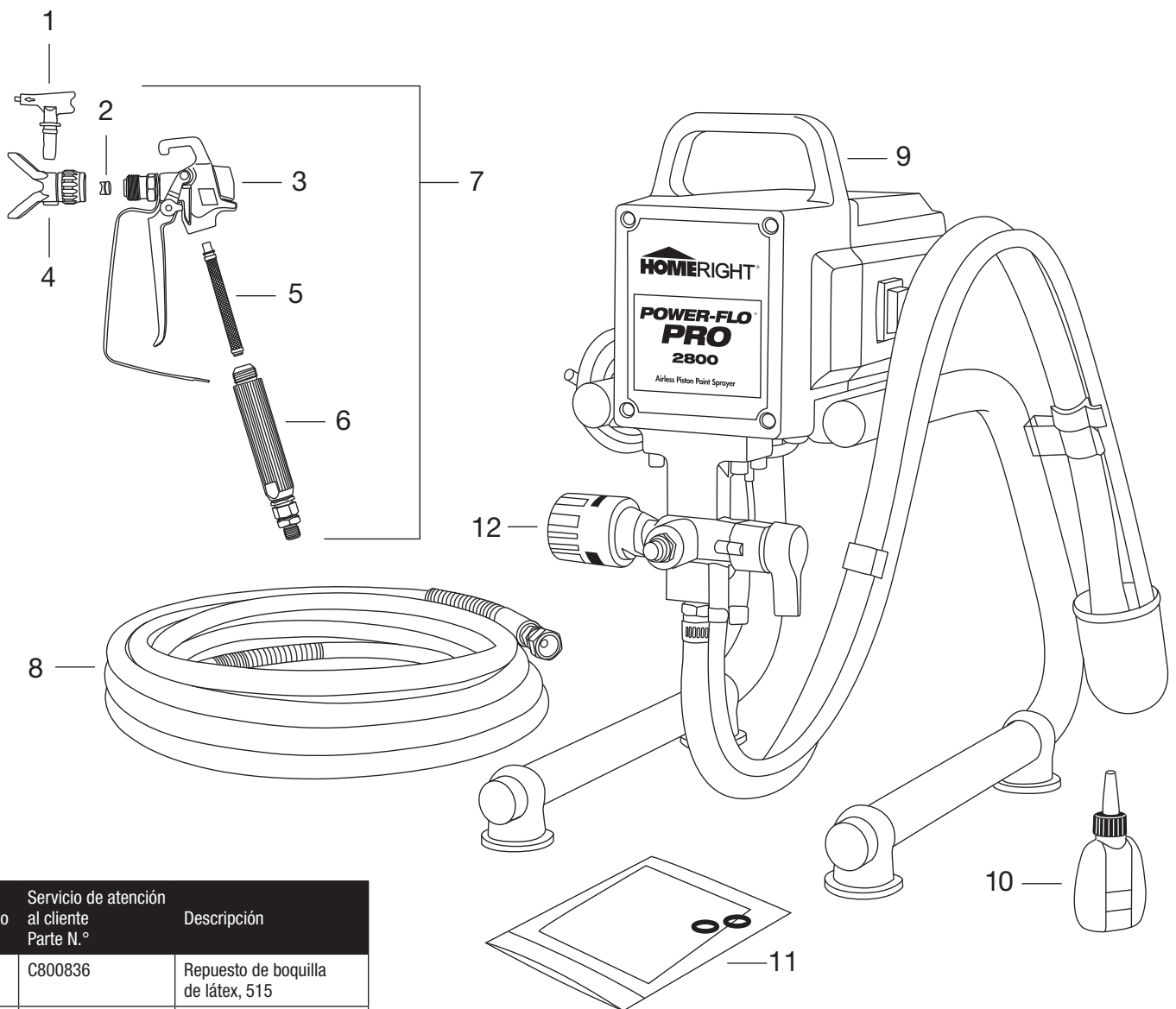
- Las herramientas conectadas a tierra requieren un cable de extensión de tres hilos. Las herramientas con aislamiento doble pueden funcionar con cables de extensión de dos o tres hilos.
- A medida que aumente la distancia al tomacorriente, se deberá utilizar un cable de extensión de mayor capacidad. El uso de cables de extensión de calibre inadecuado causará serias caídas de voltaje que ocasionarán pérdidas de potencia y posibles daños a la herramienta. (Consulte la tabla A.)
- Mientras menor sea el número del calibre del hilo, mayor será la capacidad del cable. Por ejemplo, un cable de calibre 14 puede transportar una corriente mayor que uno de calibre 16. (Consulte la tabla A.)
- Al usar más de un cable de extensión para lograr el largo deseado, compruebe que cada uno tenga al menos el calibre mínimo requerido. (Consulte la tabla A.)
- Si va a usar un cable de extensión para más de una herramienta, sume los amperios indicados en las placas de identificación, y, con la suma, determine el calibre mínimo requerido del cable. (Consulte la tabla A.)
- Si va a usar un cable de extensión al aire libre, compruebe que esté marcado con el sufijo "W-A" ("W" en Canadá), que indica que es aceptable para utilizarse al aire libre.
- Compruebe que el cable de extensión esté debidamente conectado y en buenas condiciones eléctricas. Si el cable de extensión está dañado, cámbielo por otro o pídale a un electricista calificado que se lo repare antes de usarlo.
- Proteja los cables de extensión de objetos afilados, exceso de calor y humedad o zonas húmedas.

### Calibre mínimo recomendado para cables de extensión\* (120/140 V)

| Amperios según la placa de identificación (a plena carga) | Largo del cable de extensión |     |     |      |      |
|---|------------------------------|-----|-----|------|------|
|   | 25'                          | 50' | 75' | 100' | 150' |
| 0 – 2.0   | 18                           | 18  | 18  | 18   | 16   |
| 2.1 – 3.4   | 18                           | 18  | 18  | 16   | 14   |
| 3.5 – 5.0   | 18                           | 18  | 16  | 14   | 12   |
| 5.1 – 7.0   | 18                           | 16  | 14  | 12   | 12   |
| 7.1 – 12.0  | 18                           | 14  | 12  | 10   | —    |
| 12.1 – 16.0   | 14                           | 12  | 10  | —    | —    |
| 16.1 – 20.0   | 12                           | 10  | —   | —    | —    |

\*Basado en limitar la caída de voltaje de línea a 5 V al 150 % del amperaje nominal.

# LISTA DE PIEZAS



| Artículo | Servicio de atención al cliente Parte N.º | Descripción                              |
|----------|---|--|
| 1a       | C800836                                   | Repuesto de boquilla de látex, 515       |
| 1b       | C800837                                   | Repuesto de boquilla para colorante, 413 |
| 2        | C800862                                   | Monte y selle                            |
| 3        | No disponible                             | Carcasa para pistola rociadora           |
| 4        | C806060                                   | Protector para boquilla de rociado       |
| 5a       | C800835                                   | Repuesto de filtro, 100                  |
| 5b       | C800844                                   | Repuesto de filtro, 50                   |
| 6        | No disponible                             | Mango de la pistola                      |
| 7        | C800863                                   | Pistola rociadora con pivote             |
| 8        | C800861                                   | Manguera                                 |
| 9        | C800879                                   | Power-Flo Pro 2800                       |
| 10       | C817348                                   | Aceite                                   |
| 11       | C800875                                   | Kit de reparación de bomba               |
| 12       | C817939                                   | Control de presión del kit del regulador |

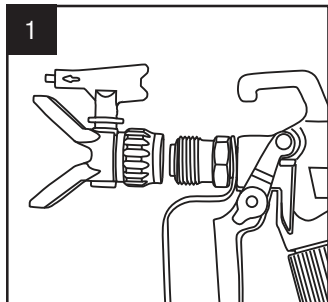
Si no puede adquirir las piezas y los accesorios de la mano del distribuidor minorista de su zona, llámenos o visite el sitio web [www.homeright.com](http://www.homeright.com)

Teléfono: 763-780-5115  
1-800-264-5442  
8:00 a. m. a 5:00 p. m.  
(zona horaria central de EE.UU.).

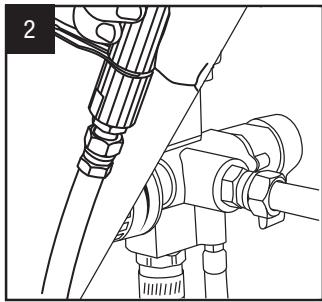
# GUÍA DE REFERENCIA RÁPIDA

La presente es sólo una guía de referencia rápida. Lea completamente todo el manual de instrucciones antes de utilizar el producto.

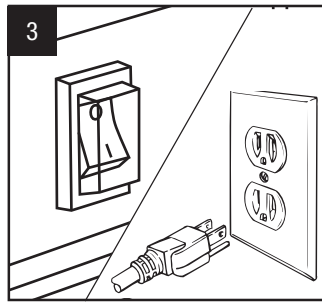
## Configuración



Quite la boquilla pulverizadora y el seguro de la pistola. Durante el primer uso de la pistola pulverizadora, la boquilla pulverizadora y el protector deben quitarse de la pistola.

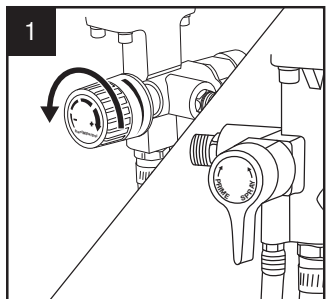


Conecte la manguera a la pistola y al rociador.

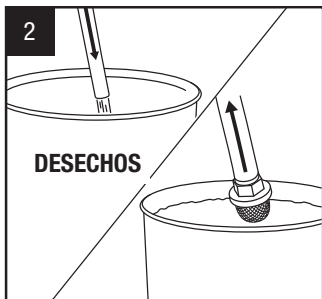


Apague el interruptor. Enchufe el rociador en el tomacorriente conectado a tierra.

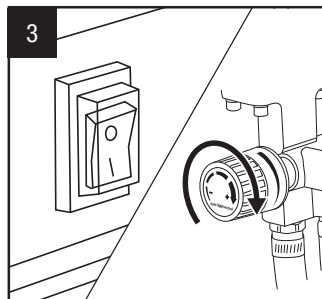
## Enjuague



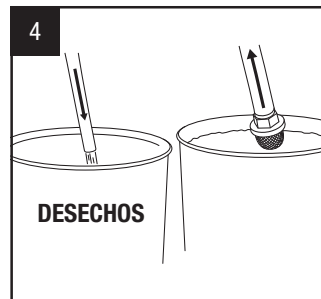
Gire la perilla de control de presión hacia la izquierda hasta la presión mínima. Ponga la válvula de cebado/rociado en "PRIME" ("CEBAR").



Coloque el tubo de retorno en un recipiente para desechos. Sumerja el tubo de succión en agua (materiales con base acuosa) o en una solución diluyente/limpiadora (materiales con base oleosa).

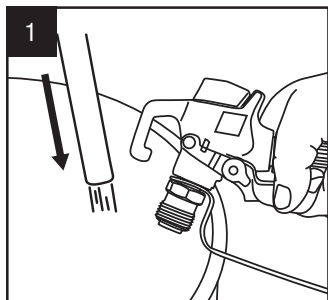


Encienda el interruptor. Gire la perilla de control de presión hacia la derecha hasta que arranque la bomba.

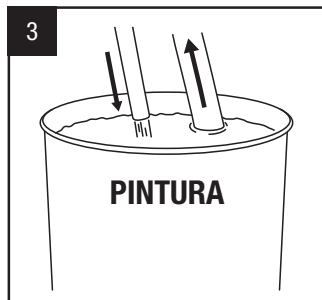
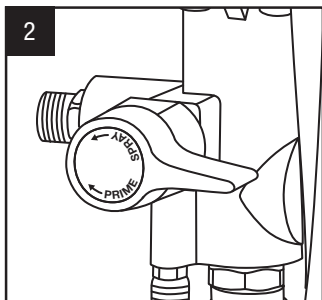


Deje que salga líquido del tubo de cebado hacia el bidón de desechos durante 30-60 segundos. Apague el interruptor.

## Cebado



Sumerja el tubo de aspiración en la pintura. Encienda el interruptor y accione el gatillo de la pistola en dirección hacia el bidón de desechos. Cuando sale pintura por el tubo de retorno, gire la válvula de cebado/pulverización a la posición SPRAY (pulverizar). Cuando la pintura salga de la pistola, suelte el gatillo. Se acumulará presión en la bomba y se detendrá el motor.

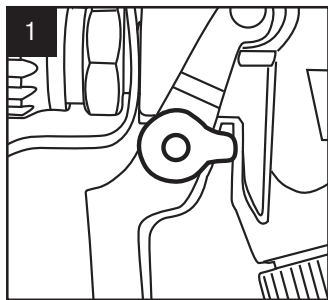


Transfiera el tubo de retorno al recipiente de pintura.

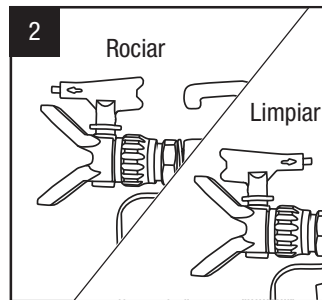
### ANUNCIO

Si el pulverizador no ceba, quite el tubo de succión de la unidad e inserte un destornillador para liberar la válvula de entrada. Consulte el punto D en la sección "El pulverizador se enciende, pero no absorbe pintura..." en Solución de problemas.

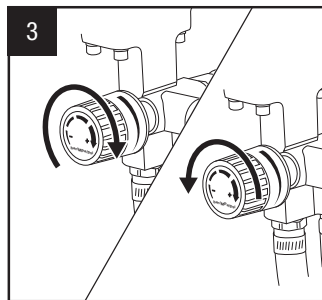
## Rociado



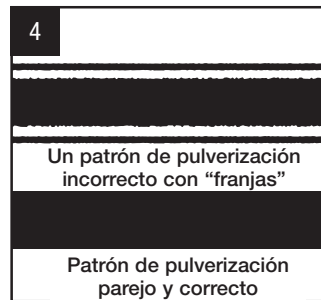
Coloque la palanca de seguridad del disparador en la posición de bloqueo. NOTA: Siempre trabe el disparador cuando no esté en uso, mientras realiza tareas de mantenimiento o durante el armado y la limpieza.



Instale la boquilla y el protector en la pistola y ajústela con la mano. Si la boquilla de la pulverizadora se obstruye, gírela para eliminar la obstrucción rápidamente sin necesidad de desarmarla. (Consulte la página 8 para conocer las instrucciones de ensamblaje)



Gire la perilla de control de presión hacia la derecha o hacia la izquierda para, respectivamente, aumentar o disminuir la presión de la pistola.



Un patrón de pulverización incorrecto con "franjas"

Patrón de pulverización parejo y correcto

Desbloquee la palanca de seguridad del disparador. Apunte la pistola a 12" (30,50 cm) de la superficie y comience a moverla antes de disparar. Si las franjas persisten en la presión más alta, cambie a una boquilla más pequeña o material fino.

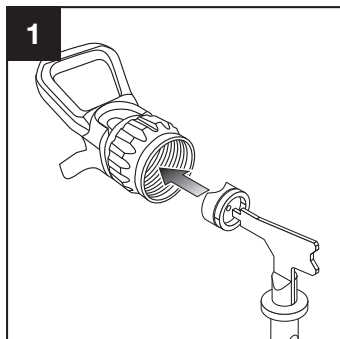
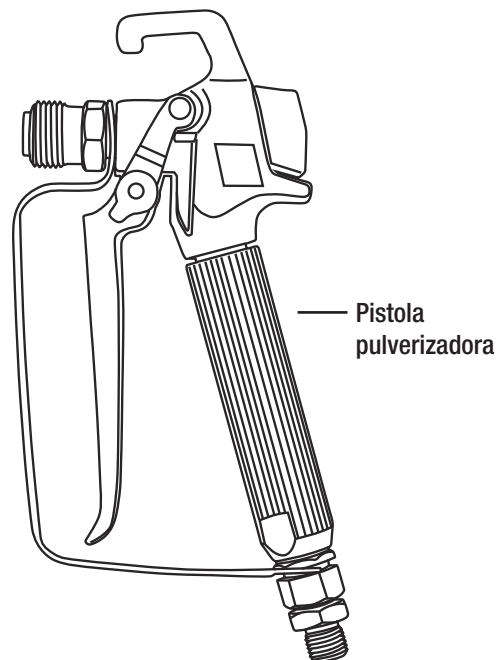
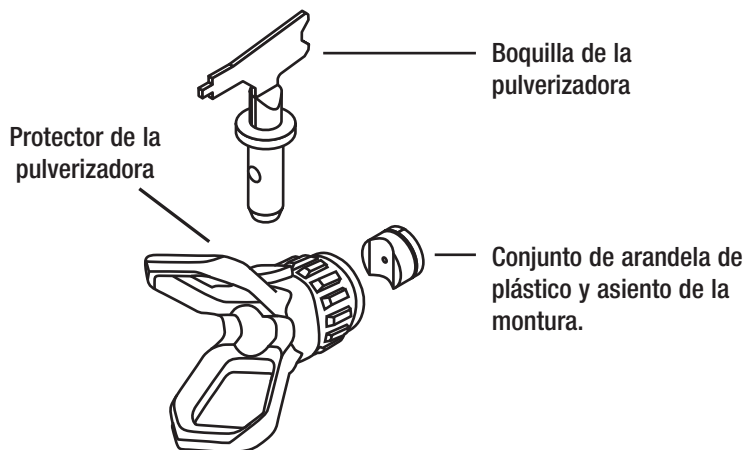
# ENSAMBLAJE DE LA PISTOLA PULVERIZADORA

## ENSAMBLAJE DE LA PISTOLA PULVERIZADORA POWER-FLO® PRO 2800

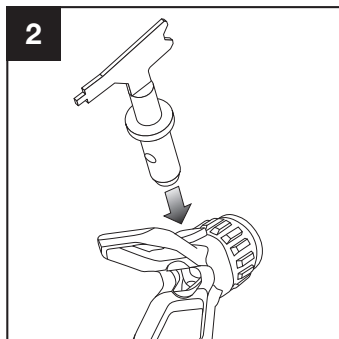
Al ensamblar la pistola pulverizadora, es importante que inserte correctamente el conjunto de la arandela y el asiento de la montura.

El asiento de la montura tiene una parte en forma de curva que está diseñada para alinearse con la boquilla de la pulverizadora cuando se ensambla.

El asiento de la montura y la arandela de plástico vienen ya ensambladas.

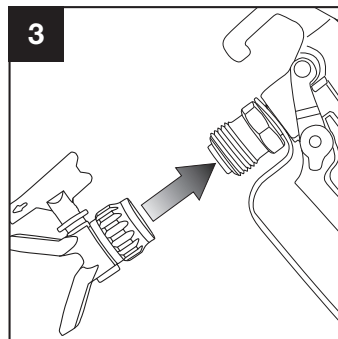


Inserte el asiento de la montura en el protector del pulverizador, con la parte curva del asiento alineada con el orificio de la boquilla de la pulverizadora. Utilice el puntero de plástico de la boquilla de la pulverizadora para asentarla completamente en caso de ser necesario.



Inserte la boquilla de la pulverizadora en el protector de la pulverizadora. La parte curva del asiento de la montura debe caber en la boquilla de la pulverizadora.

Mantenga el protector de la pulverizadora orientado hacia abajo para impedir que el conjunto de la arandela y asiento de la montura se caigan.



Con el protector de la pulverizadora y la pistola hacia abajo para impedir que el conjunto de la arandela y el asiento de la montura se caigan, atornille el protector a la pistola y ajuste con la mano.

El producto real puede diferir de la imagen que se muestra.

# MODO DE EMPLEO

## DESEMBALAJE

Al desempacar, verifique que el producto esté intacto y no tenga daños. Si faltan piezas o encuentra piezas rotas, debe llamar lo más pronto posible al teléfono que aparece en la portada de este manual.

## INSTRUCCIONES DE MONTAJE

Antes de armar o de usar este producto, lea **TODO EL APARTADO DE INFORMACIÓN IMPORTANTE DE SEGURIDAD** que se encuentra al comienzo de este manual, incluidos los textos debajo de los subencabezados.

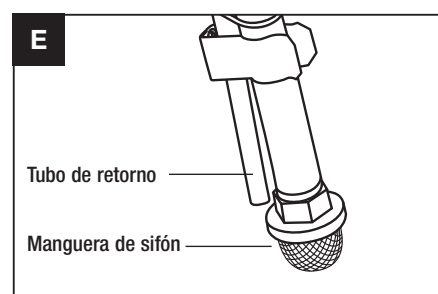
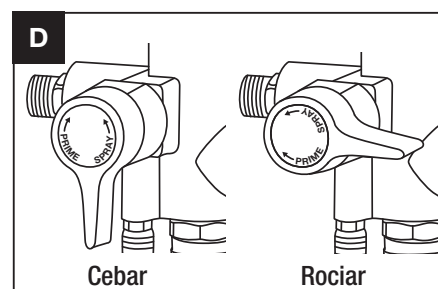
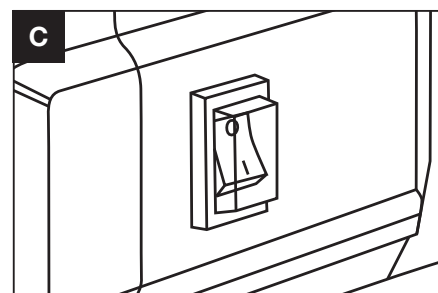
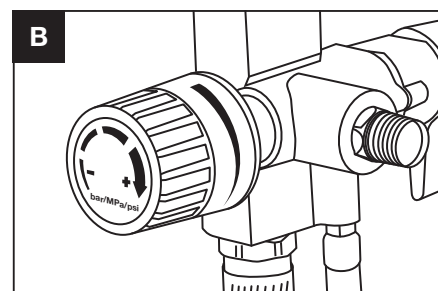
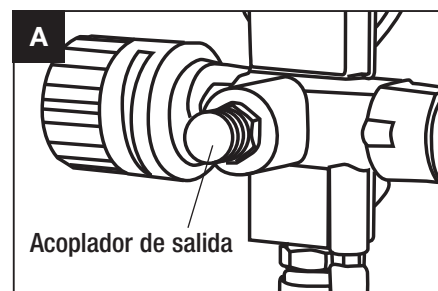
**ADVERTENCIA:** Para prevenir lesiones graves debido a un arranque accidental, apague el interruptor (*Figura C*) del rociador sin aire de alta presión y desenchufe el rociador de su toma eléctrica antes de realizar los procedimientos de montaje.

**NOTA:** Si desea más información sobre las piezas mencionadas en las páginas siguientes, consulte el diagrama de montaje que está cerca del final de este manual.

Quite la tapa de plástico protectora del acoplador de salida de pintura. Luego conecte la manguera de pintura de alta presión. (*Figura A*) Conecte la pistola rociadora al otro extremo de la manguera. Apriete con una llave. No coloque la punta de rociado ni el protector.

## CARACTERÍSTICAS DEL PRODUCTO

- **Perilla de control de presión:** La perilla de control de presión controla la presión de salida de la pintura. Gire la perilla en el sentido de las agujas del reloj para incrementar la presión; gire la perilla en dirección contraria a las agujas del reloj para disminuir la presión. (*Figura B*)
- **Interruptor de encendido:** Presione para encender o apagar el rociador. (*Figura C*)
- **Perilla de cebado/rociado:** Mueva horizontalmente la perilla de cebado/rociado para hacer funcionar el rociador. Mueva verticalmente la perilla para poner a funcionar el rociador en su modo de “cebado/limpieza”. (*Figura D*)
- **Acoplador de salida:** La manguera de la pistola rociadora se conecta al acoplador de salida de pintura. (*Figura A*)
- **Manguera de sifón:** La manguera de sifón chupa pintura del recipiente hacia la pistola rociadora. (*Figura E*)
- **Tubo de retorno:** Al aliviar la presión del sistema o cebar la bomba, la pintura fluye desde el tubo de retorno. (*Figura E*)



# MODO DE EMPLEO

## INSTRUCCIONES DE USO

Antes de armar o de usar este producto, lea TODO EL APARTADO DE INFORMACIÓN IMPORTANTE DE SEGURIDAD que se encuentra al comienzo de este manual, incluidos los textos debajo de los subencabezados.

### Preparación de un nuevo rociador

Mantenga siempre el seguro del gatillo de la pistola rociadora en la posición de bloqueo mientras prepara el sistema. (Figura F)

- Coloque el tubo de aspiración en un recipiente de agua jabonosa.
- Coloque el tubo de retorno en un contenedor de metal para desechos.
- Gire la perilla de control de presión completamente hacia la izquierda (en sentido contrario a las agujas del reloj) para disminuir la presión (Figura B, página 9).
- Mueva la válvula de cebado/rociado a la posición "Prime" ("Cebbar").
- Encienda el interruptor de encendido/apagado de la unidad. (Figura C, página 9)
- Gire la perilla de control de presión hacia la derecha para arrancar la bomba.
- Permita que el rociador funcione durante unos 15-30 segundos para hacer fluir el líquido de prueba a través de la manguera de retorno y descargarlo en el recipiente de desechos.
- Apague el interruptor de encendido/apagado de la unidad. (Figura C)
- Sumerja el tubo de succión en la pintura. Encienda el interruptor y accione la pistola en el recipiente para desechos. Cuando sale pintura por el tubo de retorno, gire la válvula de cebado/pulverización a la posición SPRAY (pulverizar). Cuando salga pintura de la pistola, suelte el disparador. La bomba aumentará la presión y el motor se parará.
- Transfiera el tubo de retorno al recipiente de pintura.
- Ponga la punta de rociado y el protector. No los apriete demasiado.
- El rociador está ahora listo para comenzar.

### Configuración del área de trabajo y la pieza a pintar

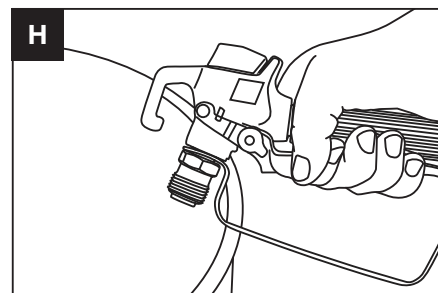
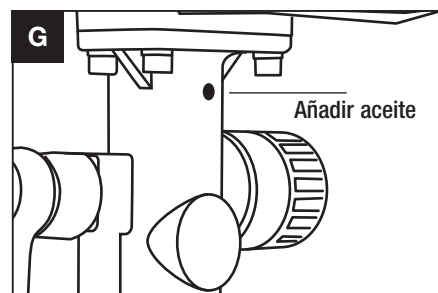
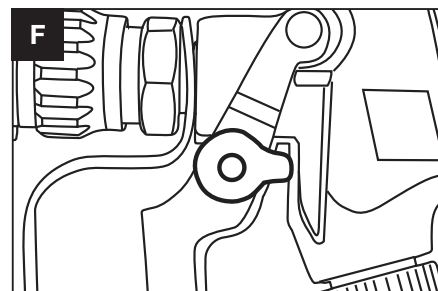
- Elija un área de trabajo que esté limpia y bien iluminada. Para evitar lesiones y distracciones, no permita la presencia de niños o animales en el área de trabajo.
- Coloque el cable eléctrico a lo largo de una vía segura que llegue al área de trabajo sin crear peligros de tropezones o resbalones, o de daños al cable. El cable eléctrico debe poder llegar al área de trabajo y tener un largo adicional suficiente como para que el usuario pueda moverse libremente mientras trabaja.
- No debe haber objetos peligrosos como cables de servicios eléctricos u objetos en las cercanías que podrían crear riesgos mientras se realice el trabajo.

## INSTRUCCIONES GENERALES DE FUNCIONAMIENTO

**NOTA:** Antes de usar el producto, añádale aproximadamente 12 gotas de aceite de motor (Figura G). La adición de este aceite es un requisito diario cada vez que se use la pistola rociadora.

Antes de hacer funcionar el rociador, debe saber cómo aliviar la presión del sistema:

- Active el seguro de la pistola rociadora. (Figura F)
- Apague el interruptor. (Figura C, página 9)
- Gire la perilla de ajuste de presión a su ajuste más bajo. (Figura B, página 9)
- Desbloquee la pistola rociadora pasando el seguro a la posición desbloqueada. (Figura F)
- Sostenga la pistola rociadora firmemente contra el lado de un recipiente con conexión a tierra. (Figura H)
- Rocíe la pintura en el recipiente para aliviar la presión del sistema.
- Bloquee la pistola rociadora pasando el seguro a la posición de bloqueo. (Figura F)
- Gire la perilla de cebado/rociado a su posición "PRIME" ("CEBAR"). (Figura D, página 9)



# MODO DE EMPLEO

## INICIO

**IMPORTANTE:** No haga funcionar el rociador en seco durante más de 30 segundos; de lo contrario, se puede dañar el empaque de la bomba.

**NOTA:** Antes de pulverizar la pieza de trabajo real, se recomienda probar el pulverizador en una tabla en desuso.

- Desbloquee el seguro del gatillo. (Figura F, página 10)
- Compruebe que la punta de rociado orientada hacia la pieza que se vaya a pintar.
- Sostenga la pistola rociadora en posición perpendicular y a unas 12-14 pulg. (30-35 cm) de la pieza a pintar. (Figura I)
- Mueva primero la pistola rociadora, y luego accione el gatillo para rociar un patrón de prueba. (Figura J)
- Para alinear el patrón de pulverización, libere la presión en el sistema. Alinee el protector horizontalmente para obtener un patrón de pulverización horizontal. Alinee el protector verticalmente para obtener un patrón de pulverización vertical.
- Para alinear el patrón de rociado, alivie la presión del sistema. Afloje el protector de la pistola rociadora. Alinee horizontalmente el protector para obtener un patrón de rociado horizontal. Alinee verticalmente el protector para obtener un patrón de rociado vertical.

## SUGERENCIAS PARA PINTAR

El proceso de rociado de pintura requiere conocimiento del equipo, familiarización con los materiales de pintura y experiencia para lograr resultados satisfactorios.

Las diferencias de las pinturas, los materiales de trabajo y las condiciones ambientales hacen que cada tarea de pintura sea única. Para lograr resultados óptimos, practique con su mezcla de pintura sobre materiales de desecho antes de comenzar con la pieza real que se desee pintar.

Antes de pintar, es crítica la preparación de la superficie. Es difícil lograr resultados satisfactorios si la superficie original está sucia, rugosa o mojada.

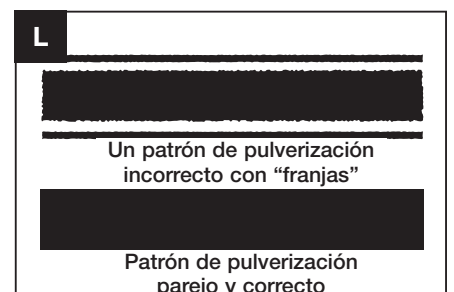
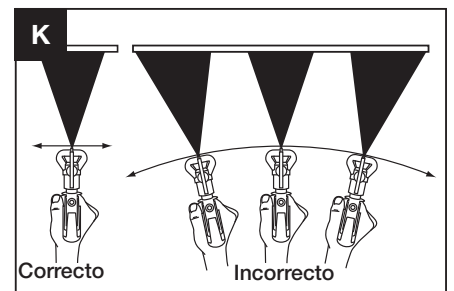
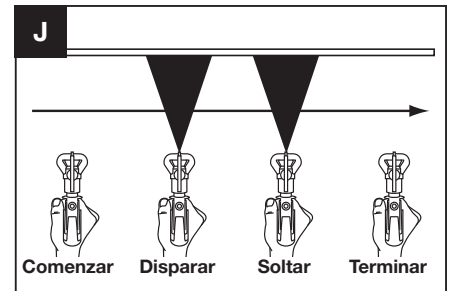
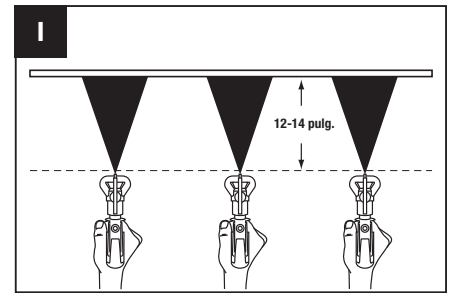
Coloque correctamente cinta adhesiva de pintor en las superficies adyacentes que no se vayan a pintar. Cubra los objetos adyacentes con paños protectores u otras cubiertas para protegerlos del polvo o rociado de pintura.

En la mayoría de los casos se debe mover el rociador de pintura de lado a lado, solapando la pintura anterior. Para pintar de esta manera, el patrón de rociado debe fijarse en el modo "vertical".

Es importante evitar que haya exceso de pintura al comienzo y al final de cada pasada. Sosteniendo la pistola rociadora lejos de la pieza a pintar, apriete el gatillo para comenzar a rociar. Luego mueva la pistola rociadora a una distancia aproximada de 12-14 pulgadas (30-35 cm) de la pieza a pintar. Mueva la pistola rociadora uniformemente a lo largo de la pieza, manteniendo una distancia constante. Al finalizar cada pasada, aleje la pistola rociadora de la pieza a medida que afloja el gatillo.

A medida que trabaje, observe la forma en que se acumula la pintura en la superficie de trabajo. Es más importante mantener una buena superficie de pintura que formar una capa de pintura opaca (gruesa). Siempre podrá aplicar una segunda capa para lograr el cubrimiento que desea. Sin embargo, si se arruina la superficie, tendrá que comenzar otra vez desde el paso de preparación de la superficie.

Si la superficie no se alisa unos segundos después de aplicar la pintura, significa que la pintura está demasiado gruesa. En ese caso, dilúyala ligeramente y haga una prueba sobre un material de desecho. Si la pintura queda demasiado diluida, con riesgo de derramarse, deje de rociar inmediatamente. Agregue más pintura a la mezcla para engrosar la pintura. Haga una prueba en un material de desecho antes de reanudar el trabajo.



# MANTENIMIENTO Y SERVICIO

## MANTENIMIENTO Y SERVICIO

**IMPORTANTE:** Los procedimientos que no se explican específicamente en este manual deben estar a cargo de un técnico calificado.

### ⚠ ADVERTENCIA

#### Para prevenir lesiones graves resultantes de un arranque accidental

Antes de limpiar, bloquee el gatillo de la pistola, gire la perilla de ajuste de presión a la posición de apagado, y luego abra la perilla de cebado/rociado para aliviar toda la presión.

Antes de guardar el producto o de realizarle servicio y reparaciones, apague el interruptor del rociador, desenchufe el rociador del tomacorriente y alivie toda la presión restante del sistema.

### ⚠ ADVERTENCIA

#### Para prevenir lesiones graves resultantes de fallas de la herramienta

No utilice un equipo que esté dañado. En caso de producirse ruido o vibración anormal, haga que se corrija el problema antes de seguir usándolo.

Antes de cada uso, inspeccione la condición general de la pistola rociadora. Compruebe que no haya tornillos flojos, piezas desalineadas o adheridas, agrietadas o rotas, cables eléctricos dañados o mangueras dañadas, o cualquier otra condición que pudiese afectar el funcionamiento seguro de la herramienta.

#### Para limpiar la boquilla pulverizadora

Si la boquilla pulverizadora se obstruye mientras pulveriza, gire la boquilla 180° hacia la posición de limpieza. (Figura M) Accione el disparador y pulverice para eliminar cualquier obstrucción en la boquilla. Para eliminar la obstrucción, tenga la precaución de pulverizar lejos de la pieza de trabajo. Gire la boquilla de nuevo hacia la posición "Pulverizar" y continúe pulverizando. (Figura N) Si el bloqueo persiste, limpie o reemplace el filtro de la pistola pulverizadora. (Figura P)

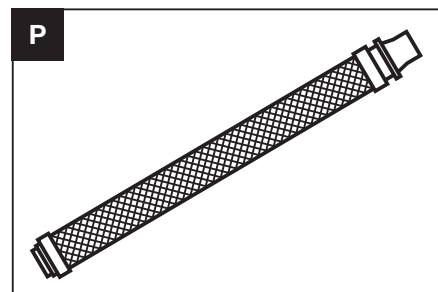
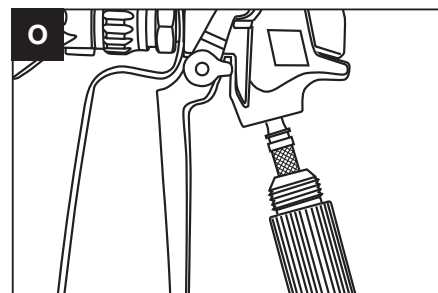
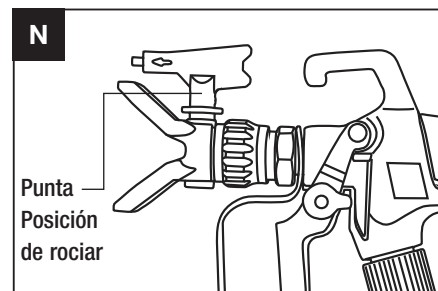
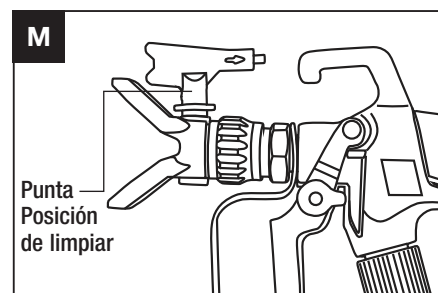
**IMPORTANTE:** No limpie la punta con una aguja u objetos afilados, porque podría dañar la punta.

#### Para cambiar las puntas de rociado

Gire la punta de rociado 90°. Saque la punta de rociado del asiento de la boquilla. Instale una nueva punta de rociado en el asiento de la boquilla. A continuación, gire la punta 90° a la posición "spray" ("rociar"). (Figura N)

#### Para limpiar el filtro de la pistola rociadora

Desatornille el mango de la pistola rociadora (Figura O) del cuerpo de la pistola para acceder al filtro. (Figura P) Saque el filtro y use un cepillo (no suministrado) y agua para limpiarlo (si se usó con una pintura a base de agua) o disolvente (si se usó con una a base de aceite). Inspeccione el filtro en búsqueda de agujeros, obstrucción u otros daños. Cámbielo si es necesario. Vuelva a instalar el filtro. Seguidamente atornille el mango de la pistola rociadora en el cuerpo de la pistola. (Figura O)



# MANTENIMIENTO Y SERVICIO

## LIMPIEZA

### Para enjuagar el sistema:

Límpielo con agua si se usó una pintura a base de agua, o con disolvente si se usó una pintura de aceite.

**NOTA:** También es necesario limpiar y enjuagar el sistema cada vez que se cambie el color o el tipo de pintura (por ejemplo, de una pintura a base de agua a una de aceite).

- Trabe el disparador de la pistola. Gire la perilla de control de presión a la posición "OFF" (Apagado). Luego abra la perilla de cebado/pulverización para liberar toda la presión.
- Quite la boquilla pulverizadora y el protector y colóquelos en líquido de limpieza.
- Gire la perilla de control de presión al modo de cebado/limpieza.
- Mientras la unidad esté funcionando en modo de cebado/limpieza, saque el tubo de retorno y el tubo de succión del contenedor y deje transcurrir entre 10 y 15 segundos para que salga la pintura.
- Gire la perilla de control de presión a la posición "OFF"
- Coloque el tubo de retorno y el tubo de succión en un contenedor lleno de agua limpia (si utiliza pintura con base acuosa) o solvente limpio (si utiliza una pintura con base oleosa).
- Gire la perilla de cebado/pulverización al modo de cebado. (Posición Vertical) Déjela funcionar por 30 segundos, gire al modo de pulverización (Posición Horizontal).
- Destrabe el disparador y, sin colocar la boquilla pulverizadora, gire la perilla de control de presión al modo de cebado/limpieza.
- Apunte la pistola pulverizadora hacia un contenedor de pintura y mantenga presionado el disparador hasta que se detenga el flujo de pintura y empiece a fluir agua o solvente. Suelte el disparador. Apunte la pistola pulverizadora hacia un contenedor con agua o solvente durante aproximadamente dos minutos. Para evitar salpicaduras, dirija la corriente del fluido por el interior del contenedor en ángulo lateral y bien por encima del nivel del líquido (o sumerja la boquilla pulverizadora en el agua o solvente). Suelte el disparador. Apunte la pistola pulverizadora hacia un contenedor para desechos vacío y pulverice al menos cuatro litros de fluido. Si el fluido no sale sin pintura, repita con otros cuatro litros de agua limpia (si utiliza una pintura con base acuosa) o solvente limpio (si utiliza una pintura con base oleosa). (Figura Q)

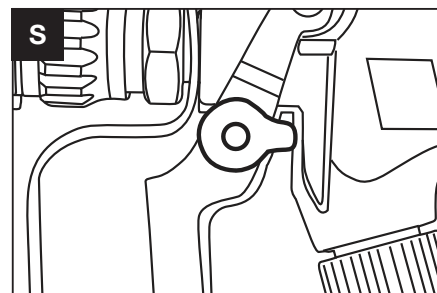
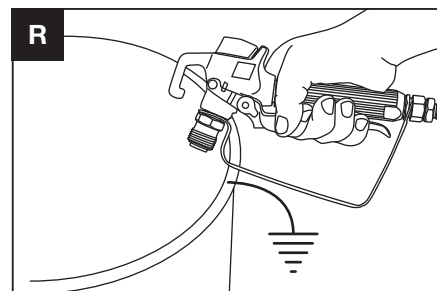
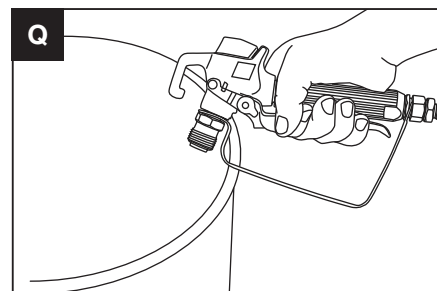
**¡ADVERTENCIA!** Al hacer pasar líquidos inflamables por el sistema, es necesario utilizar recipientes metálicos. Enjuague siempre a baja presión, sin la punta de rociado. Al enjuagar o al aliviar la presión del rociador, deberá sujetar una parte metálica de la pistola firmemente contra el recipiente metálico conectado a tierra. (Figura R)

- Bombee el agua o disolvente hacia afuera del sistema sacando tanto el tubo de retorno como la manguera de sifón del agua o disolvente. Gire la perilla de ajuste de presión al ajuste más bajo y abra la perilla de cebado/rociado para aliviar la presión del sistema. Bloquee el gatillo antes de volver a poner la punta de rociado en la pistola rociadora. (Figura S)
- Limpie la boquilla pulverizadora con un cepillo de cerdas suaves, con la solución de limpieza adecuada, y vuelva a ensamblar.
- Trabe el disparador antes de volver a instalar la boquilla pulverizadora en la pistola pulverizadora.

## ALMACENAMIENTO

Evite la corrosión de la bomba y el daño por congelación. No deje nunca agua o pintura a base de agua en la pistola rociadora mientras no se utilice durante temporadas frías. Los líquidos congelados pueden causar daños serios al rociador. Drene el sistema completamente de todo líquido y guarde el producto en un sitio bajo techo a temperatura ambiente.

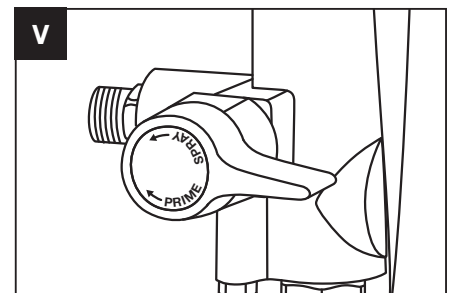
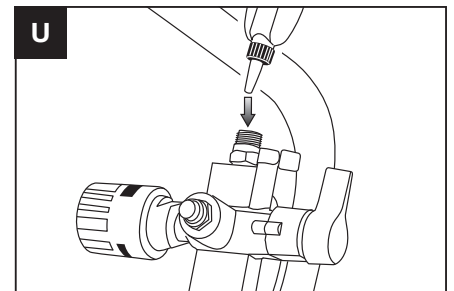
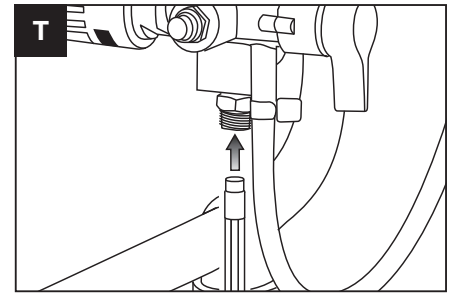
**¡ADVERTENCIA!** Si se daña el cable eléctrico de esta herramienta eléctrica, debe ser cambiado únicamente por técnicos de servicio calificados.



# ADAPTACIÓN PARA EL INVIERNO Y ALMACENAMIENTO A LARGO PLAZO

## PARA LA BOMBA POWER-FLO PRO PUMP

- Retire la manguera de entrada del puerto de entrada, deje la manguera de desviación colocada con la unidad en posición erguida.
- Utilice una lapicera o un lápiz para empujar la bola de entrada hacia arriba de modo que se desprenda la solución limpiadora de la unidad. (Figura T)
- Gire la unidad al revés y agregue 1/3 del aceite suministrado al puerto de entrada. (Figura U)
- Espere 30 segundos y gírela a su posición vertical original.
- Sea cuidadoso al bloquear el puerto de descarga y el puerto de entrada con una toalla de papel ya que salpicará un poco de aceite y este podría tomar contacto con los ojos o con su prenda de vestir.
- Active el interruptor de arranque/rociador en el ciclo de arranque "PRIME" de la unidad. Actívelo y desactívelo con "on" y "off" 3 veces, sirviéndose de un interruptor de energía para hacer que corra aceite en la unidad.
- Fije el ciclo del interruptor de arranque/rociador en modo "SPRAY" (ROCIAR) activándolo y desactivándolo con "on" y "off" 3 veces. (Figura V)
- Asegúrese de que la manguera de entrada y la de desviación se encuentren desagotadas.
- La unidad se encuentra lista para su almacenamiento.

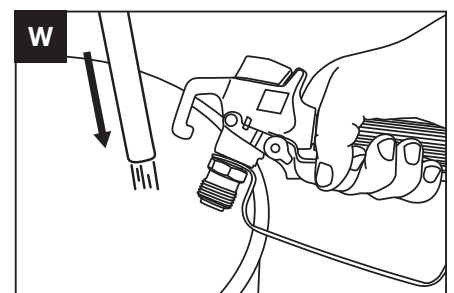


## PARA LA PISTOLA Y LA MANGUERA

- Retire la manguera de alta presión de la unidad y quite la pistola de la manguera.
- Retire la boquilla y el protector de la pistola.
- Sostenga la pistola al revés y agregue 20 gotas de aceite en la entrada de la pistola.
- Mientras sostiene la pistola al revés, presione el gatillo para dejar que el aceite ingrese a la pistola.
- Deje yacer la manguera en ángulo llano y levante uno de los extremos para desagotarla, o bien utilice un compresor regulado a 5 PSI para eliminar la solución limpiadora de la manguera.
- La manguera enrollada y la pistola/manguera están listas para su almacenamiento.

## MÉTODO ALTERNATIVO

- Sumerja el tubo de succión en el RV anticongelante (NO UTILICE anticongelante móvil)..
- Retire la boquilla de rociado/el protector de la pistola rociadora, active el interruptor en modo "Prime"/el rociador en modo "Prime" (arranque), active el interruptor de energía en "ON" ("encendido"). Cuando el anticongelante salga del tubo de retorno, active el interruptor en modo "Prime" (arranque)/el rociador en modo "SPRAY" y presione el gatillo de la pistola rociadora dentro de un balde de desechos.\* (Figura W)
- Déjelo correr hasta que salga el anticongelante RV rosa de la pistola rociadora.
- Esto lo protegerá y lo lubricará a -50 °F.



\* Verifique con los códigos y disposiciones locales a los fines de efectuar la eliminación de forma correcta.

# RESOLUCIÓN DE PROBLEMAS

| PROBLEMA   | CAUSA   | ACCIÓN CORRECTIVA   |
|--|---|---|
| El motor no funciona.  | <ul style="list-style-type: none"> <li>A. No hay electricidad en el tomacorriente.</li> <li>B. El cable eléctrico no está conectado.</li> <li>C. La perilla de control de presión está en un ajuste mínimo (totalmente girada hacia la izquierda).</li> <li>D. Obstrucción en la punta de rociado y/o filtro de líquidos.</li> <li>E. La bomba está congelada y/o tiene demasiada pintura seca.</li> <li>F. Motor defectuoso.</li> </ul>            | <ul style="list-style-type: none"> <li>A. Verifique la electricidad del tomacorriente. Revise el interruptor automático/protector contra sobrecargas.</li> <li>B. Compruebe que el cable eléctrico esté enchufado.</li> <li>C. Gire la perilla de control de presión hacia la derecha para aumentar la presión.</li> <li>D. Alivie la presión. Seguidamente, despeje la punta de rociado y/o el filtro de líquido.</li> <li>E. Descongele el rociador si tiene agua o pintura a base de agua congelada. No haga funcionar el rociador hasta que esté completamente descongelado. Si hay exceso de pintura seca en el rociador, cambie el empaque de la bomba.</li> <li>F. Pídale a un técnico de servicio calificado que le cambie el motor si el ventilador no se activa.</li> </ul> |
| Salida escasa  | <ul style="list-style-type: none"> <li>A. Boquilla de rociado desgastada.</li> <li>B. Bomba defectuosa.</li> <li>C. Fugas en la válvula de cebado.</li> <li>D. Las conexiones del tubo de aspiración no están firmes.</li> <li>E. Largo o calibre incorrectos del cable de extensión.</li> <li>F. Motor defectuoso o desgastado.</li> </ul>   | <ul style="list-style-type: none"> <li>A. Cambie la punta de rociado.</li> <li>B. Pídale a un técnico de servicio calificado que le repare o cambie la bomba.</li> <li>C. Alivie la presión. Seguidamente, repare la válvula de cebado.</li> <li>D. Apriete todas las conexiones flojas. Revise la junta tórica en el tubo de aspiración.</li> <li>E. Cámbielo por un cable de extensión del largo o calibre apropiados.</li> <li>F. Pídale a un técnico de servicio calificado que le cambie el motor si el ventilador no se activa.</li> </ul>  |
| El rociador funciona, pero no chupa pintura cuando la perilla de cebado/rociado se pone en posición "PRIME" ("CEBAR"). | <ul style="list-style-type: none"> <li>A. El rociador no cebará correctamente o perdió el cebado.</li> <li>B. El rociador no está en un piso nivelado.</li> <li>C. Obstrucción en el filtro de entrada.</li> <li>D. La válvula de entrada o de salida está pegada.</li> <li>E. Válvula de entrada desgastada o dañada.</li> <li>F. La válvula de CEBADO/ROCIADO está obstruida. Presione la lengüeta del filtro de entrada para liberar.</li> </ul> | <ul style="list-style-type: none"> <li>A. Intente volver a cebar el rociador.</li> <li>B. Mueva el rociador a un suelo nivelado.</li> <li>C. Limpie el filtro de entrada.</li> <li>D. Limpie las válvulas de entrada y se salida y reemplace cualquier pieza gastada. La entrada puede estar atascada con pintura vieja. Retire la manguera de entrada y, sirviéndose de una lapicera o de un lápiz, inserte en la entrada hasta que sienta la resistencia. Esto liberará la válvula de entrada. Imagen T, Página 14</li> <li>E. Cambie la válvula de entrada.</li> <li>F. Lleve el rociador a un técnico de servicio calificado.</li> </ul>  |
| El rociador chupa pintura, pero la presión baja cuando se active el gatillo de la pistola.                             | <ul style="list-style-type: none"> <li>A. Boquilla de rociado desgastada.</li> <li>B. Obstrucción en el filtro de entrada.</li> <li>C. Obstrucción en la pistola o punta de rociado.</li> <li>D. Pintura demasiado densa o gruesa.</li> <li>E. Conjunto de la válvula de salida sucio o desgastado.</li> <li>F. Conjunto de la válvula de entrada dañado o desgastado.</li> <li>G. La unidad no se puede preparar correctamente.</li> </ul>         | <ul style="list-style-type: none"> <li>A. Cambie la punta de rociado.</li> <li>B. Limpie el filtro de entrada.</li> <li>C. Limpie el filtro o cámbielo por uno apropiado. Tenga siempre a mano filtros adicionales.</li> <li>D. Diluya o cuele la pintura.</li> <li>E. Limpie o cambie el conjunto de la válvula de salida.</li> <li>F. Cambie la válvula de entrada.</li> <li>G. Deje la unidad sentarse para algunos minutos, entonces re-primerlo con agua. Cerciórese de que la buena corriente esté viniendo a través del arma antes de interruptor de nuevo a la pintura.</li> </ul>  |
| La válvula de CEBADO/ROCIADO está puesta para ROCIAR y hay flujo por el tubo de retorno.                               | <ul style="list-style-type: none"> <li>A. Válvula de CEBADO/ROCIADO sucia o desgastada.</li> </ul>  | <ul style="list-style-type: none"> <li>A. Lleve el rociador a un técnico de servicio calificado.</li> </ul>   |
| La pistola rociadora no rocía.   | <ul style="list-style-type: none"> <li>A. Obstrucción en la punta de rociado o filtro de la pistola.</li> <li>B. La punta de rociado está en la posición "CLEAN" ("LIMPIAR").</li> <li>C. La perilla de cebado/rociado no está puesta en la posición "SPRAY" ("ROCIAR").</li> </ul>   | <ul style="list-style-type: none"> <li>A. Limpie la punta de rociado o filtro de la pistola. Repase <i>Modo de desobstrucción de la punta de rociado</i>.</li> <li>B. Ponga la punta en la posición "SPRAY" ("ROCIAR").</li> <li>C. Gire la perilla de cebado/rociado a la posición "SPRAY" ("ROCIAR").</li> </ul>  |
| Patrón de pulverización irregular.   | <ul style="list-style-type: none"> <li>A. Perilla de control de presión.</li> <li>B. Boquilla obstruida</li> </ul>  | <ul style="list-style-type: none"> <li>A. Aumente la presión o diluya el material.</li> <li>B. Invierta la boquilla y accione la pistola para eliminar la obstrucción. Para eliminar la obstrucción, pulverice la pistola lejos de la pieza de trabajo.</li> </ul>  |

# Power-Flo Pro 2800 Two-Year Limited Warranty

HomeRight warrants this product from any defects in material or workmanship for two years from the date of purchase, when it is maintained and operated according to the instructions in the Instruction Manual. HomeRight will repair or replace defective product at no charge and return postage-paid to you. This warranty does not cover accessories or damage resulting from improper use, negligence, accidents, or normal wear and tear. This warranty is void if model is used for commercial or rental purposes.

Any implied warranty or merchantability or fitness for a particular purpose is limited to two years following date of purchase.

Responsibility is limited to the repair or replacement for defects in material or workmanship. HomeRight shall not in any event be liable for any incidental or consequential damages of any kind, whether for breach of this warranty or any other reason.

Some states do not allow a limitation on how long implied warranties last or the exclusion of incidental or consequential damages, so the above limitation and exclusion may not apply to you.

This warranty gives you specific legal rights, and you may also have other rights which vary from state to state.

For warranty service, send your product postage-paid along with a description of the problem to: HomeRight, Warranty Dept., 1661 94th Lane N.E., Minneapolis, MN 55449 or call customer service at 1-800-264-5442, 763-780-5115 for further assistance.

## Power-Flo Pro 2800 Garantie Limitée de Deux Ans

HomeRight garantit ce produit contre tout défaut de matériaux et de main-d'œuvre pendant une période de deux ans à partir de la date d'achat s'il est entretenu et utilisé selon les directives contenues dans le manuel d'instruction. HomeRight procédera aux réparations nécessaires ou au remplacement sans frais et vous renverra l'outil port payé. Cette garantie ne couvre pas les accessoires, ni les dommages découlant d'une utilisation inadéquate, d'une négligence, d'un accident ou de l'usure et de la détérioration normales. Si l'un de ces modèles est utilisé à des fins commerciales ou locatives, cette garantie est nulle et non avenue.

Toute garantie implicite quant à la qualité marchande ou à l'adaptation à un usage particulier est limitée à deux ans suivant la date d'achat.

La responsabilité de la société se limite aux réparations ou au remplacement suite à des défauts éventuelles de matériaux ou de main-d'œuvre. HomeRight décline toute responsabilité pour tout dommage accessoire ou indirect de quelque nature que ce soit, y compris pour violation de cette garantie ou tout autre motif.

Certaines provinces interdisant de limiter la durée des garanties implicites et d'exclure les dommages directs ou indirects, il se peut que les limitations et exclusions ci-dessus ne vous concernent pas.

La présente garantie vous accorde des recours juridiques particuliers et il se peut que vous jouissiez d'autres recours, qui peuvent varier d'une province à l'autre.

Pour le service de garantie, faites parvenir le produit dûment affranchi, accompagné d'une description du problème à : HomeRight, Warranty Dept., 1661 94th Lane N.E., Minneapolis, MN 55449, États-Unis, ou appelez le service à la clientèle au 1 800 264-5442, (763) 780-5115 pour obtenir une assistance supplémentaire.

## Power-Flo Pro 2800 Garantía Limitada de Dos Años

HomeRight garantiza este producto contra todo defecto de material o mano de obra, por dos años a partir de la fecha de compra, siempre que se mantenga y maneje de acuerdo con las indicaciones del manual de instrucciones. HomeRight reparará o cambiará el producto defectuoso sin costo para usted y se lo enviará con el franqueo prepagado. Esta garantía no cubre accesorios ni daños resultantes del uso indebido, negligencia, accidentes o desgaste normal. La garantía se anulará si cualquier modelo se usa para fines comerciales o de alquiler.

Cualquier garantía implícita o de comercialización o de idoneidad para un propósito específico se limita a dos años a partir de la fecha de la compra.

La responsabilidad de la compañía se limita a la reparación o al reemplazo de los defectos de material o mano de obra. Bajo ninguna circunstancia, HomeRight se hará responsable por daños accidentales o derivados de ningún tipo que se originen por la violación de esta garantía o por cualquier otro motivo.

Algunos estados no permiten limitar la duración de las garantías implícitas ni excluir los daños accidentales o derivados, de modo que los límites y las exclusiones anteriores podrían no corresponder en su caso.

Esta garantía le otorga derechos legales específicos, a los cuales se pueden agregar otros que varían de estado en estado.

Para obtener servicio cubierto por la garantía, envíe su producto con franqueo pagado y una descripción del problema a la siguiente dirección: HomeRight, Warranty Dept., 1661 94th Lane N.E., Minneapolis, MN 55449; o llame al departamento de servicio al cliente al 1-800-264-5442, 763-780-5115 si requiere más ayuda.

### HomeRight

1661 94th Lane N.E.  
Minneapolis, Minnesota 55449-4324  
Phone 763-780-5115  
Customer Service Line 1-800-264-5442  
8:00 a.m. to 5:00 p.m. CST

### HomeRight

1661 94th Lane N. E.  
Minneapolis, MN 55449-4324  
Tel: 763-780-5115  
Servicio al cliente: 1-800-264-5442  
8:00 a. m. a 5:00 p. m.  
(hora del Centro de EE. UU.)

### HomeRight

1661 94th Lane N. E.  
Minneapolis, MN 55449-4324  
Tél. : 763-780-5115  
Service à la clientèle : 1-800-264-5442  
8 h à 17 h, heure normale du Centre

**Register Online Today To Activate Your Two-Year Warranty**  
**Enregistrez en ligne aujourd'hui Pour lancer votre garantie de deux ans**  
**Regístrese en línea hoy Para activar su garantía de dos años**

<http://www.homeright.com/product-registration>