

Rubbermaid®

5L30

Congratulations and thank you for purchasing a Rubbermaid storage building.

BEFORE YOU BEGIN – BUILDING CODES

Be sure to check your local building codes, ordinances and restrictions, and applicable neighborhood governances.

BEFORE YOU BEGIN – SURFACE PREPARATION

To ensure proper assembly and performance your shed needs to be built on a solid, level surface. A concrete or patio surface, or a treated-wood platform is recommended.

BEFORE YOU BEGIN – LOCATION

When choosing a location in your yard make sure you choose an area with easy access and one that provides proper drainage for water to run away from the shed location.

BEFORE YOU BEGIN – PREASSEMBLY

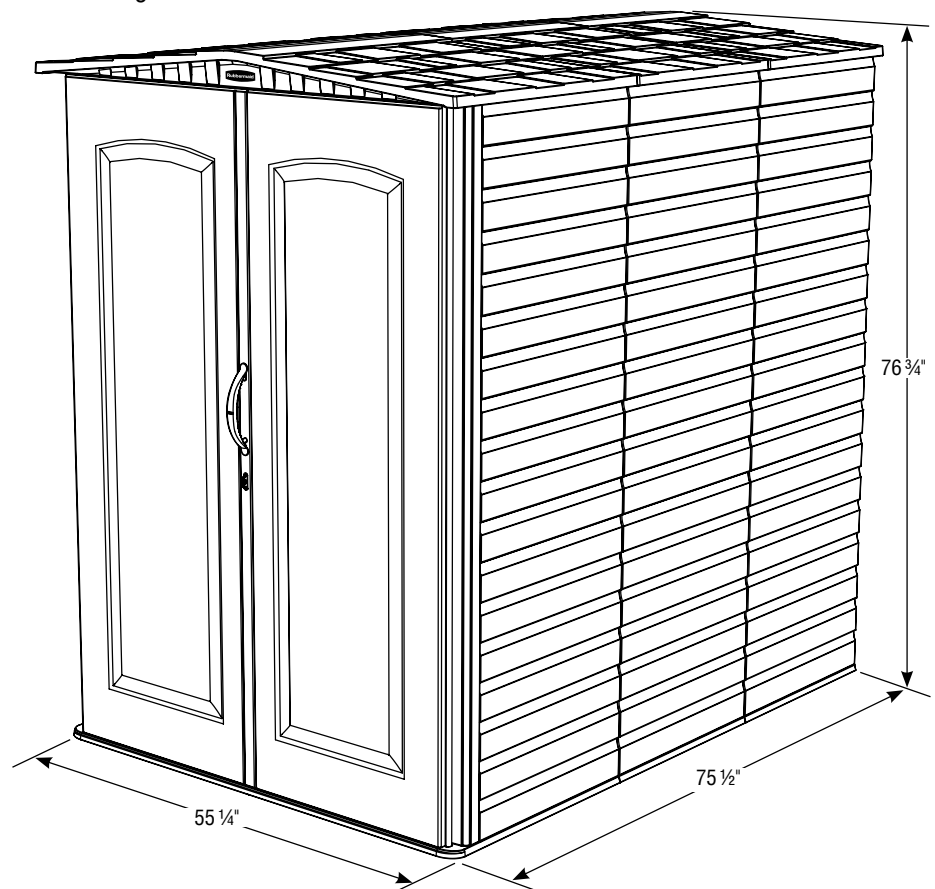
Thoroughly review all assembly steps (it is important that the steps are followed in the correct order). Review the parts list and make sure that no parts are missing.

IMPORTANT – DO NOT RETURN TO THE STORE

For assistance with your Rubbermaid Storage Building or for additional product information call our toll-free Consumer Service number:

1-888-895-2110

M–F: 8:30 a.m. to 5:00 p.m. EST
or visit us online at:
www.rubbermaid.com.

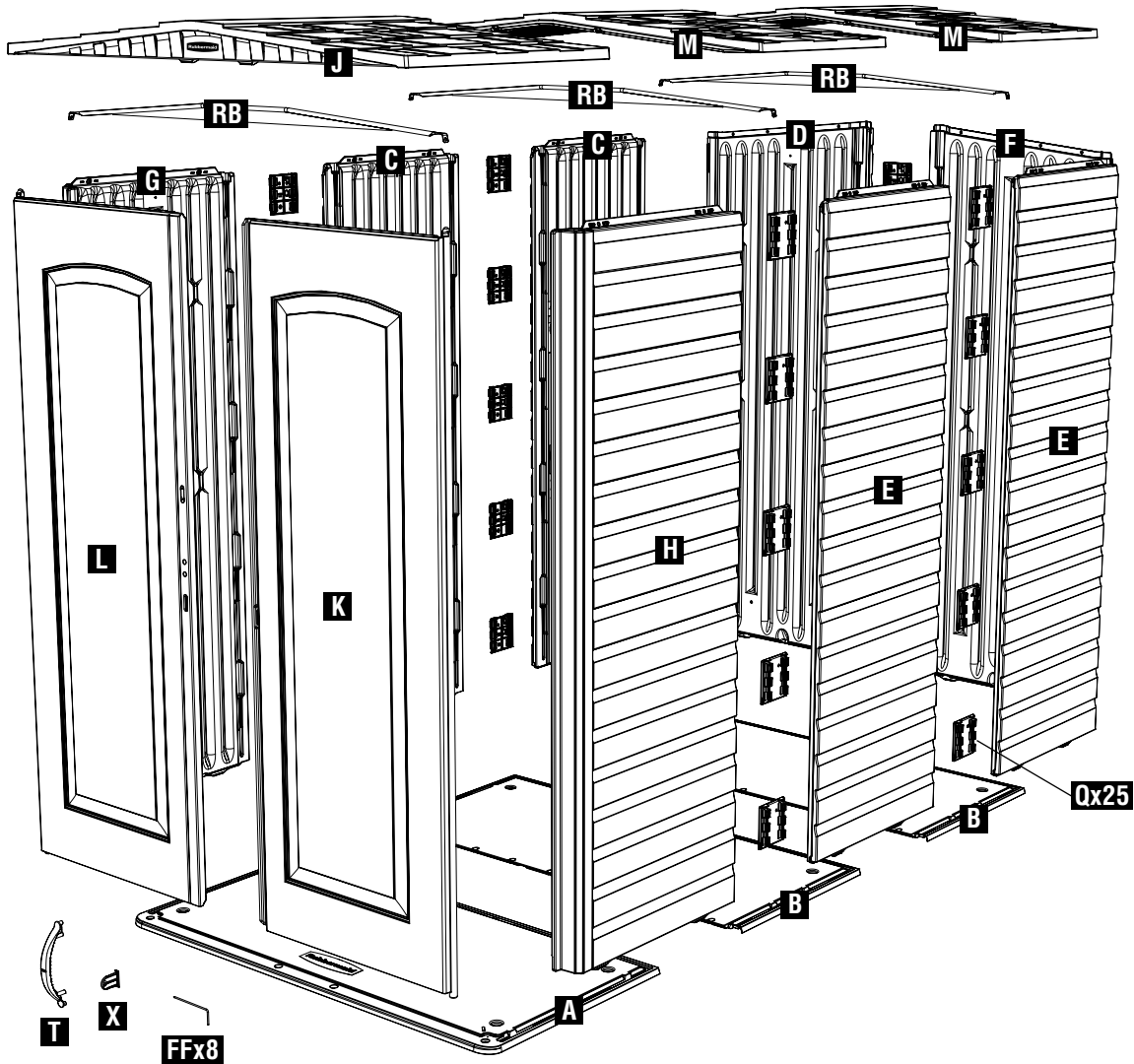


Installation Steps:

- 1. Site Preparation**
- 2. Floor**
- 3. Walls**
- 4. Roof & Doors**
- 5. Finishing**

Note: Be sure to keep this instruction manual and your original store receipt to ensure our Consumer Service Department can accurately and quickly assist you if necessary.

1780070

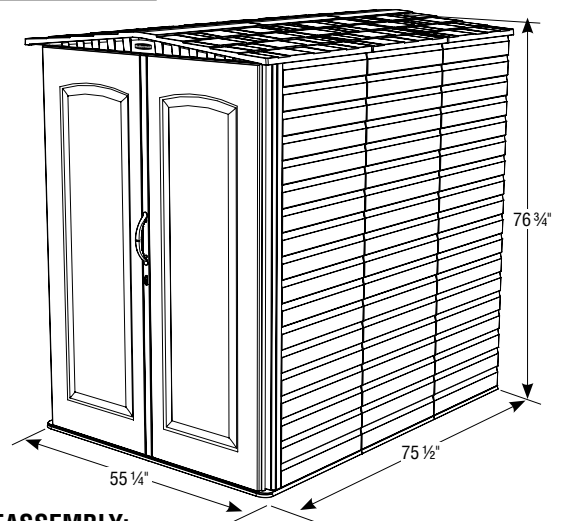


	Description	Part Number	Assembly Letter	Quantity
Floor	Front Floor	5L01	A	1
	Repeat Floor	5L11	B	2
Walls	Repeat Left Side	5L12	C	2
	Left Back	5L04	D	1
	Repeat Right Side	5L13	E	2
	Right Back	5L05	F	1
	Front Left Side	5L02	G	1
	Front Right Side	5L03	H	1
	Wall Connector	5H75	Q	25
Doors	Left Door	5L06 / 5L41	L	1
	Right Door	5L07 / 5L42	K	1
	Door Handle	5L74	T	1
	Lock Hasp	5F58	X	1
Roof	Front Roof	5L08	J	1
	Repeat Roof	5L14	M	2
	Roof Brace	5L36	RB	3
Hardware	#14 x 3/4" Combo Pan Head Screw		AA	60*
	Roof Pin	NP 5J22	FF	8
	Roof Pin Assembly Tool	M3 5J22	GG	1
	Accessory Bracket	5H88		12

- Required Tools**
- Safety Glasses
 - Gloves
 - Utility Knife
 - Rubber Mallet
 - Phillips Screwdriver
 - Phillips Bit
 - 1/8" Drill Bit
 - Drill
 - Liquid Soap
 - (2) Step Stools/ Stepladders

Two Person Assembly

5L30



PREASSEMBLY:

- Review ALL assembly steps before beginning construction.
- Review the parts list and make sure that no parts are missing.

NOTE:

- To simplify assembly and to ensure proper engagement of all components, apply a mild detergent to dovetail and snap fits before assembling.

* Extra screws are supplied

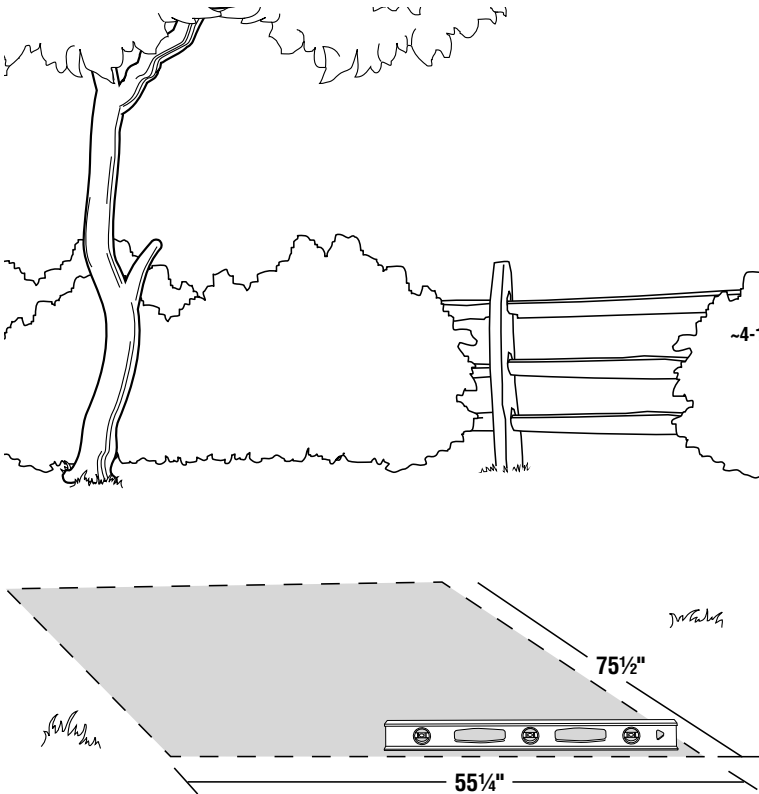
CAUTIONS

- CAUTION:** Always use gloves when using a utility knife.
- CAUTION:** Always use eye protection/safety glasses during assembly.
- CAUTION:** When installing screws, do not overtighten.
- CAUTION:** Drill only through initial panel wall, unless otherwise indicated.

CARE & USE

- Shed can be cleaned with water and mild detergent as necessary. **DO NOT USE ABRASIVE DETERGENTS, MATERIALS OR CLEANING TOOLS.**
- To maximize your shed's performance, remove excessive snow and/or leaf accumulation from the roof.
- In the event of severe weather, please disassemble and store in a secure location.

1.0 Site Preparation



Build a solid, level surface for the shed foundation. Consult your local building authority for ordinances, restrictions, or permits required before building any structure at your home.

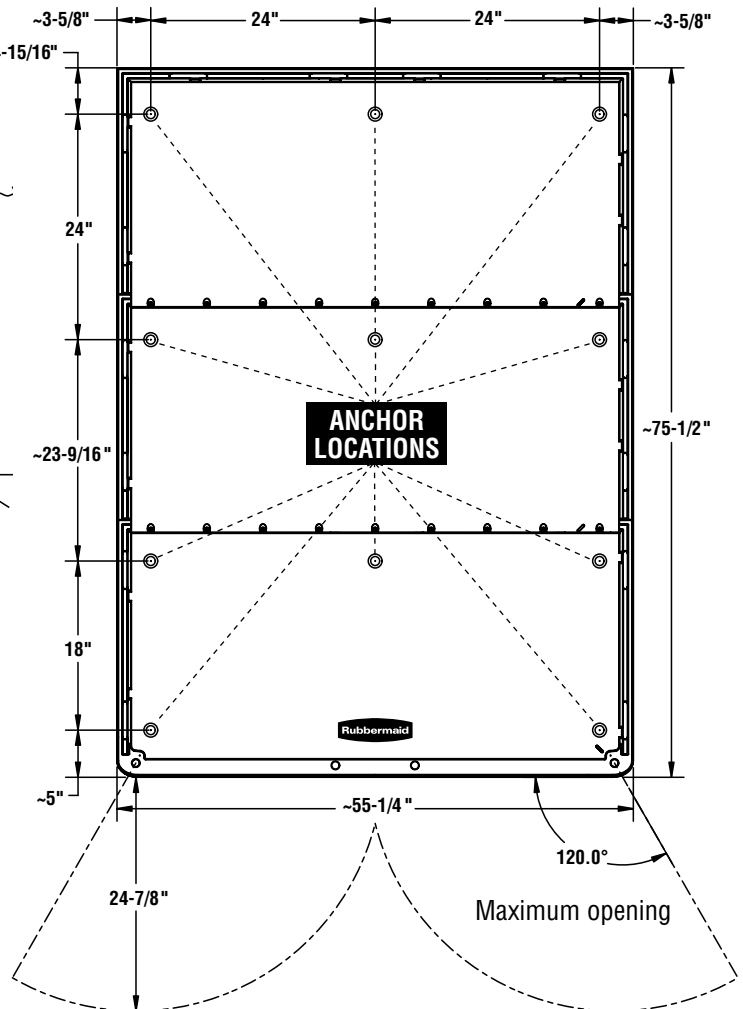
Note: Minimum dimensions for foundations shown.

FLOOR PLAN:

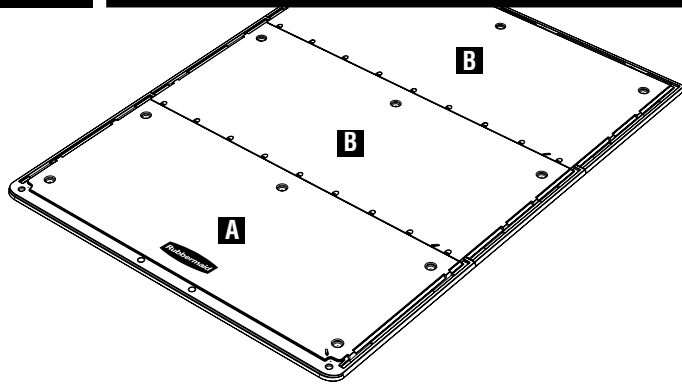
Size the construction site to fit the entire floor.

OPTIONAL STEP:

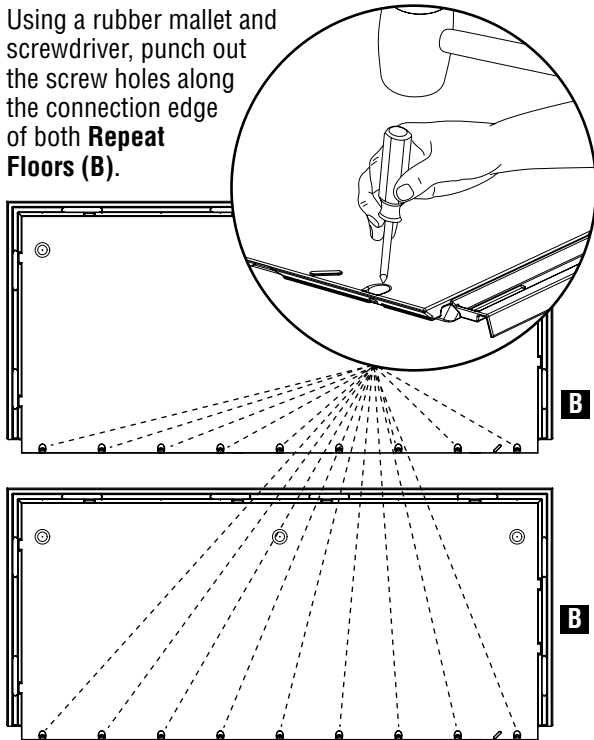
If desired, recessed anchor locations (11 places) can be used to anchor the shed floor to a foundation after you have constructed one.



2.0 Floor Installation

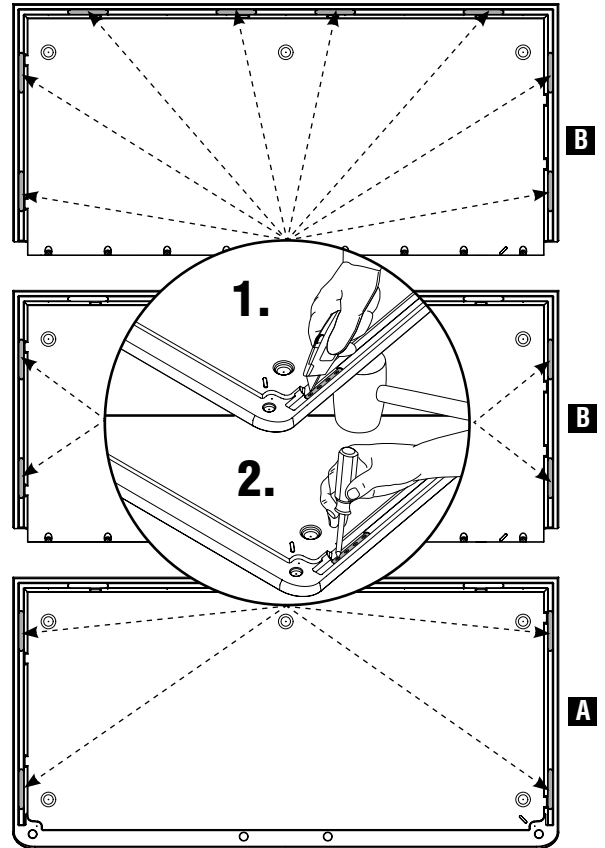


a. Using a rubber mallet and screwdriver, punch out the screw holes along the connection edge of both **Repeat Floors (B)**.

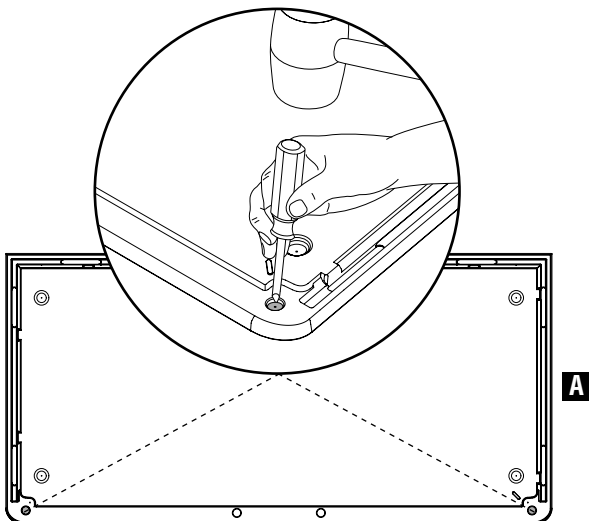


b. Using a utility knife, cut the long side of each wall slot tab and then use a rubber mallet and screwdriver to knock it out:

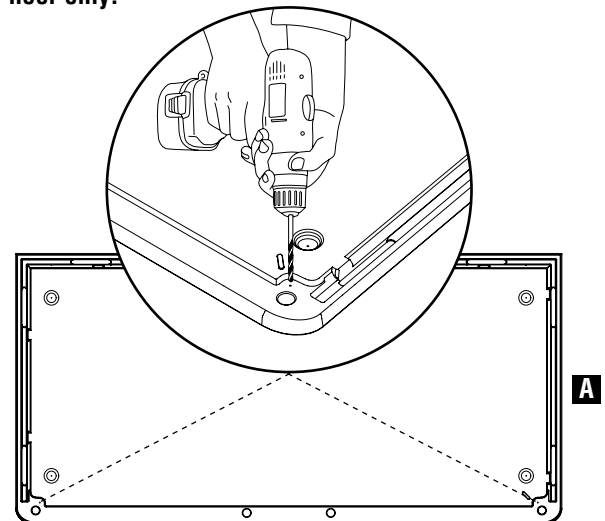
- 4 places on **Front Floor (A)**
- 4 places on **Repeat Floor (B)**: middle location
- 8 places on **Repeat Floor (B)**: rear location



c. Using a rubber mallet and screwdriver, knock out the tabs for the door hinge, 2 places on **Front Floor (A)**.



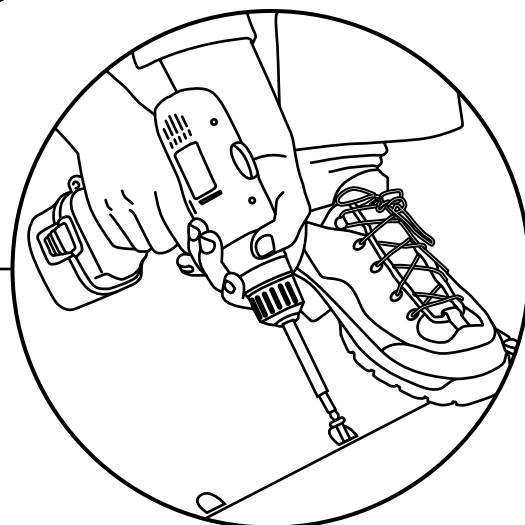
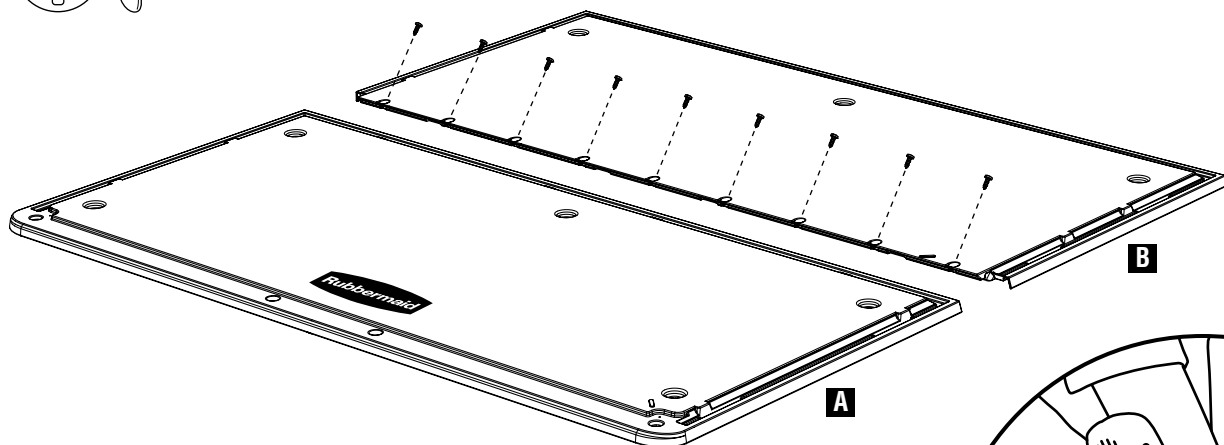
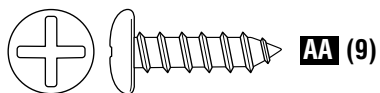
d. Drill pilot hole through top surface of floor, 2 places on **Front Floor (A)**. **CAUTION: Drill through top surface of floor only!**



2.1 Floor Installation

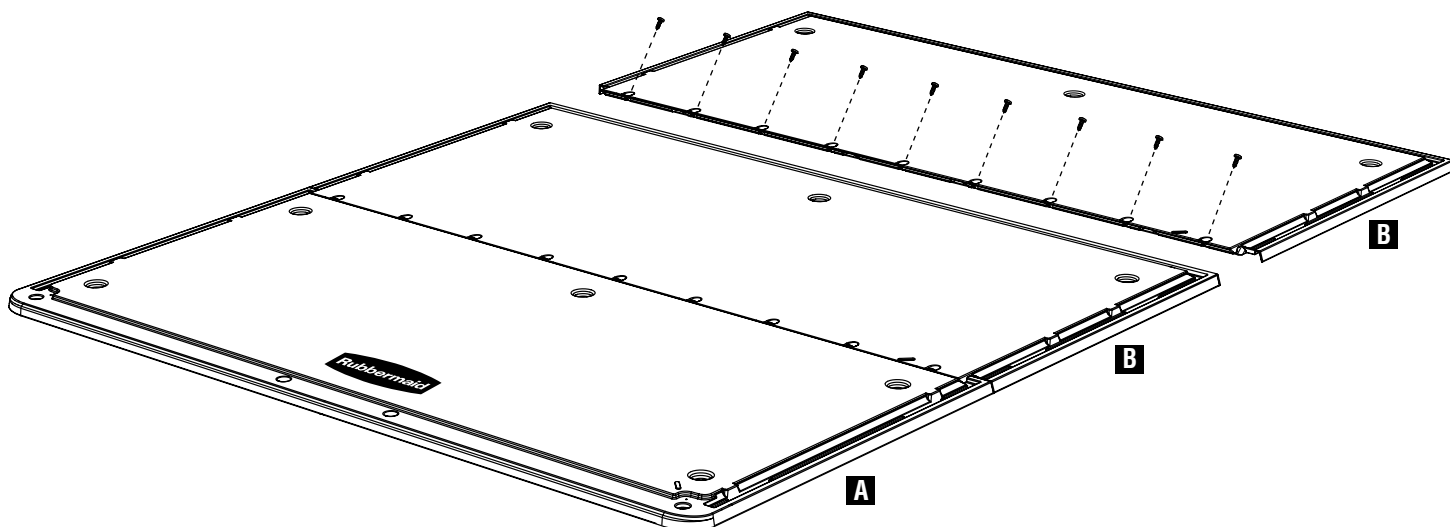
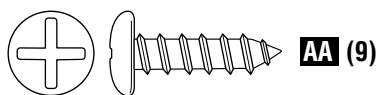
- a.** Connect and align middle position **Repeat Floor (B)** to **Front Floor (A)** and install **Screws (AA)** 9 places; keep panels aligned and even while installing screws.

HELPFUL HINT: Pilot holes may be drilled for the screws using a 1/8" drill bit.
CAUTION: Do not overtighten screws.

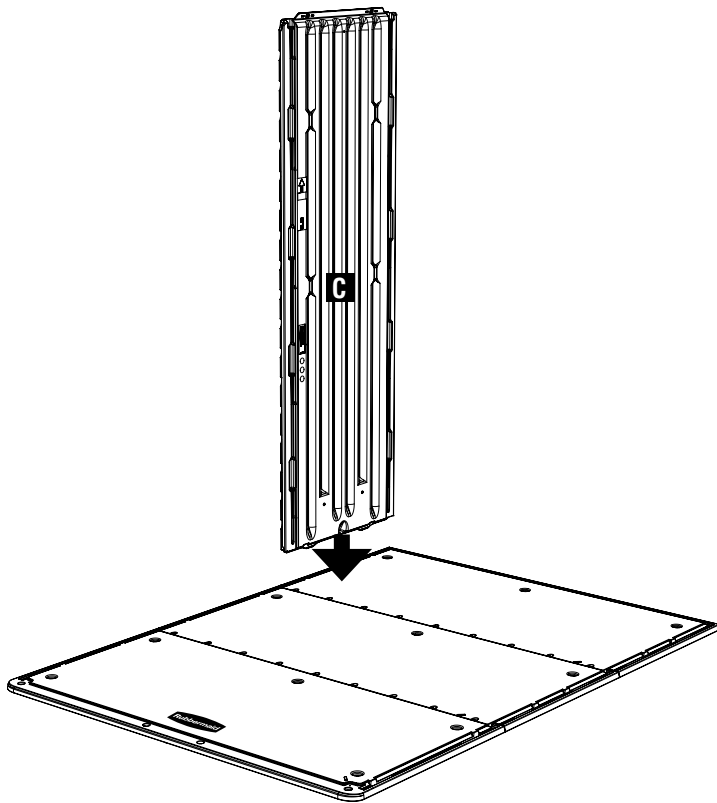


- b.** Connect and align back position **Repeat Floor (B)** to middle position **Repeat Floor (B)** and install **Screws (AA)** 9 places; keep panels aligned and even while installing screws.

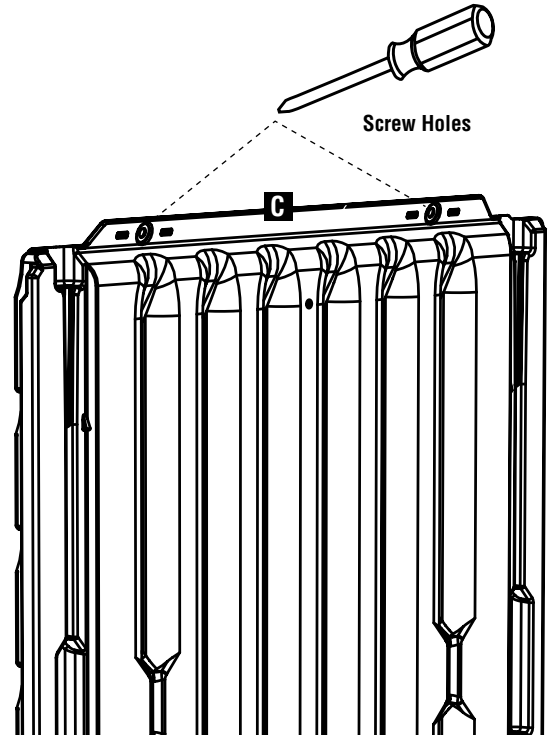
HELPFUL HINT: Pilot holes may be drilled for the screws using a 1/8" drill bit.
CAUTION: Do not overtighten screws.



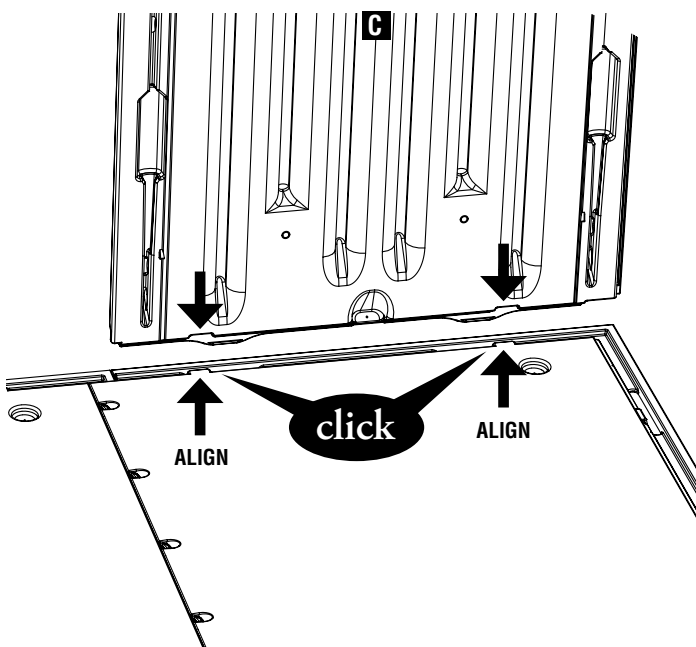
3.0 Wall Panel C Installation



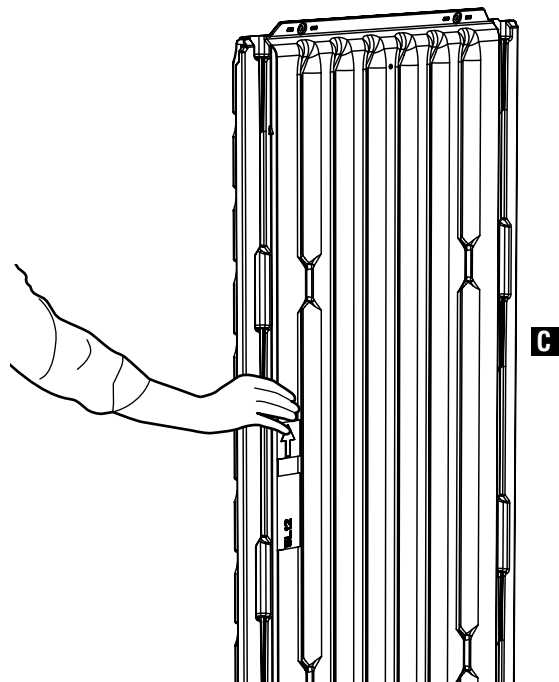
a. Using a screwdriver, punch out the screw holes on the top of Repeat Left Side (C) 2 places.



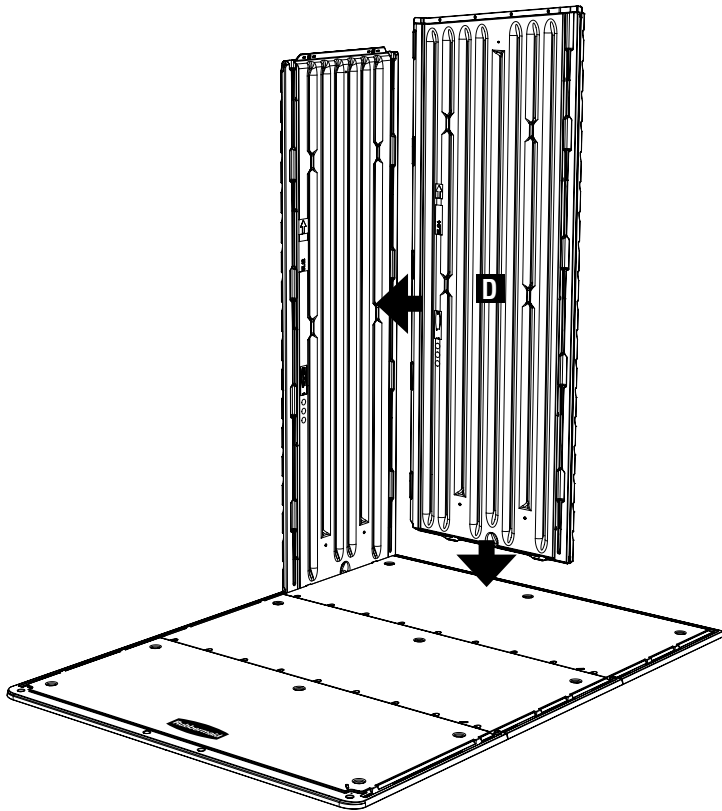
b. Snap Repeat Left Side (C) into the back position Repeat Floor (B).



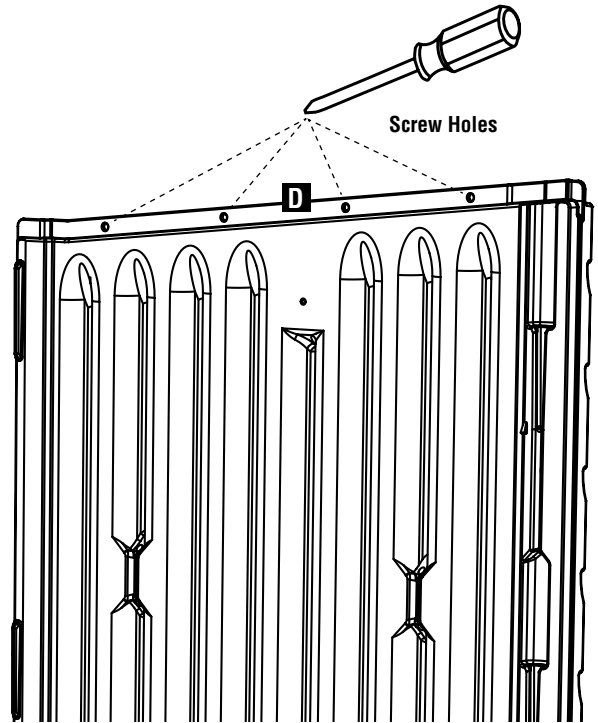
c. Hold Repeat Left Side (C) upright to prevent it from falling (until Left Back (D) is installed).



3.1 Wall Panel D Installation

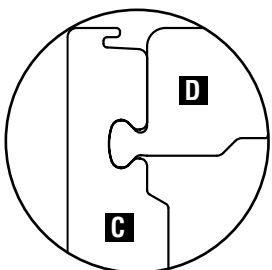


a. Using a screwdriver, punch out the screw holes on the top of **Left Back (D)** 4 places.

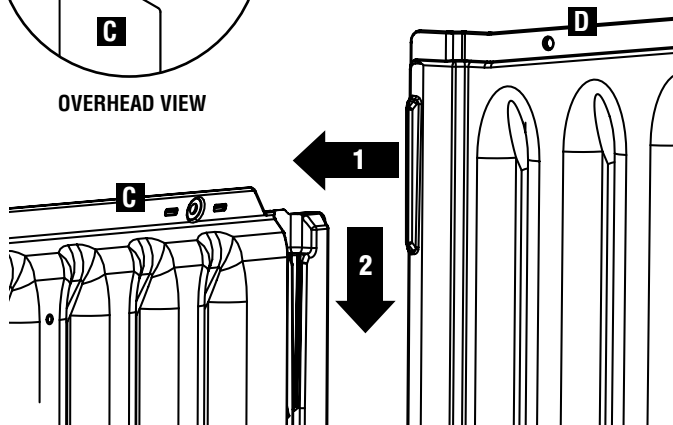


b. Connect **Left Back (D)** into dovetails of **Repeat Left Side (C)**.

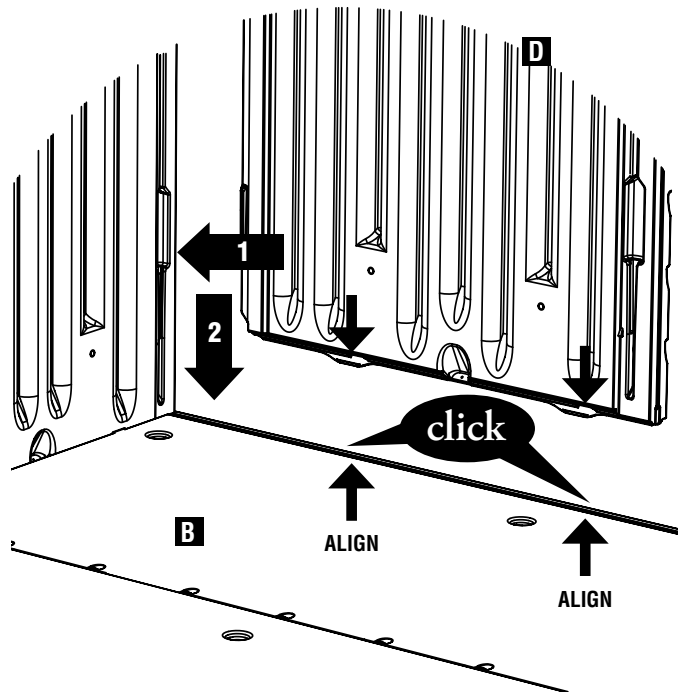
HELPFUL HINT: Lubricate dovetails with liquid soap.



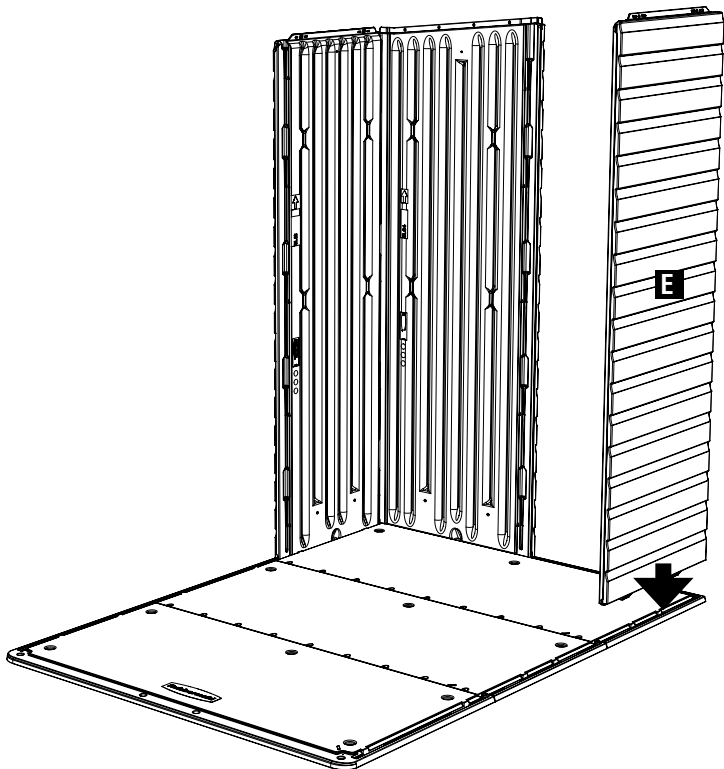
OVERHEAD VIEW



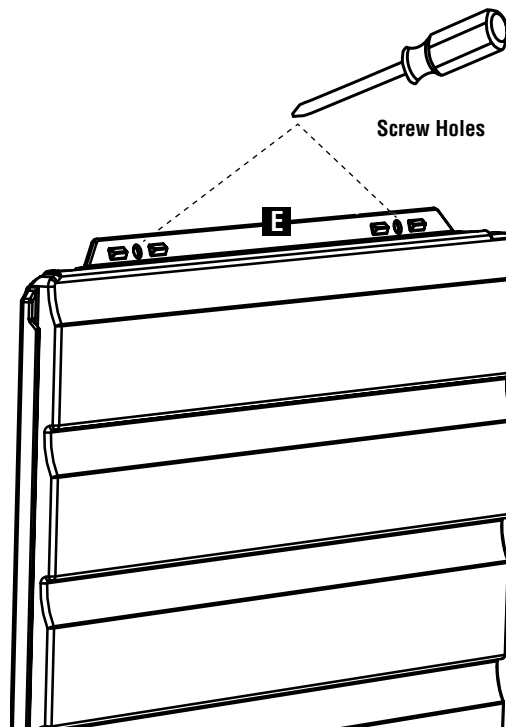
c. Engage snaps on bottom of **Left Back (D)** into **Repeat Floor (B)**.



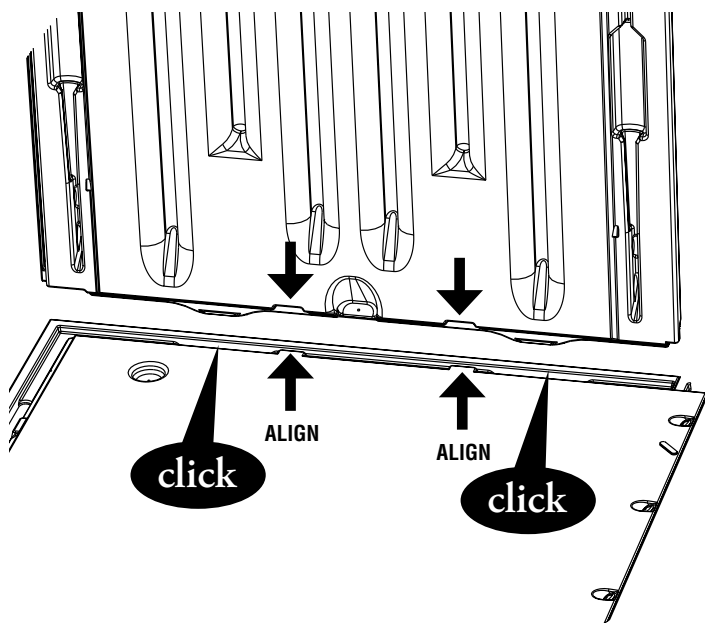
3.2 Wall Panel E Installation



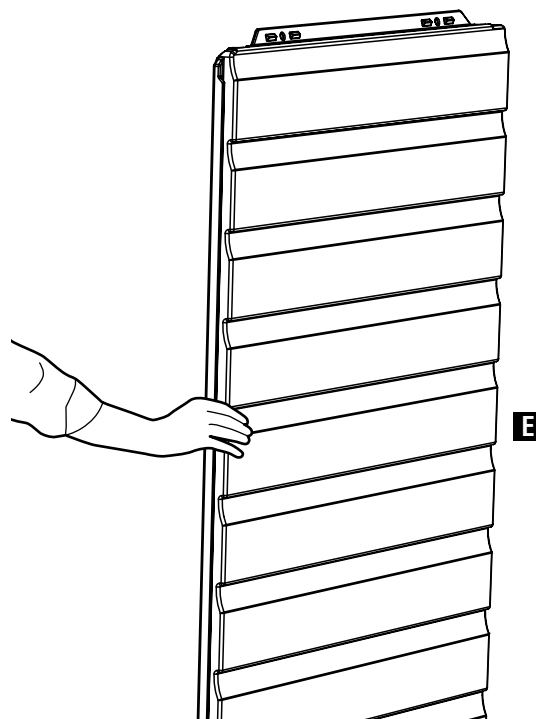
- a.** Using a screwdriver, punch out the screw holes on the top of Repeat Right Side (E) 2 places.



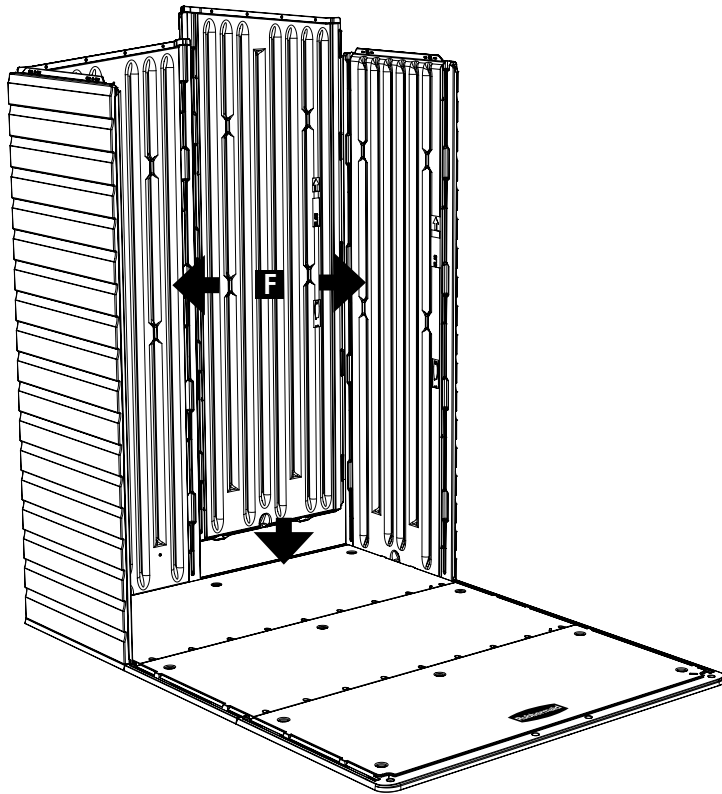
- b.** Snap Repeat Right Side (E) into the back position of Repeat Floor (B).



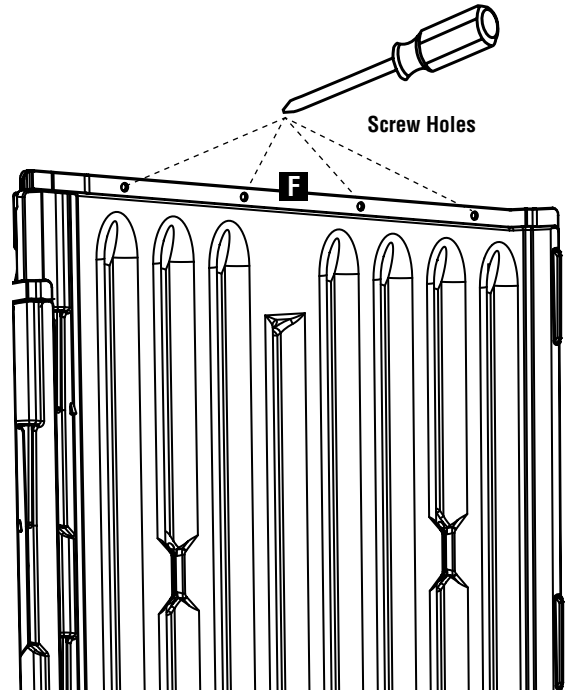
- c.** Hold Repeat Right Side (E) upright to prevent it from falling (until Right Back (F) is installed).



3.3 Wall Panel F Installation

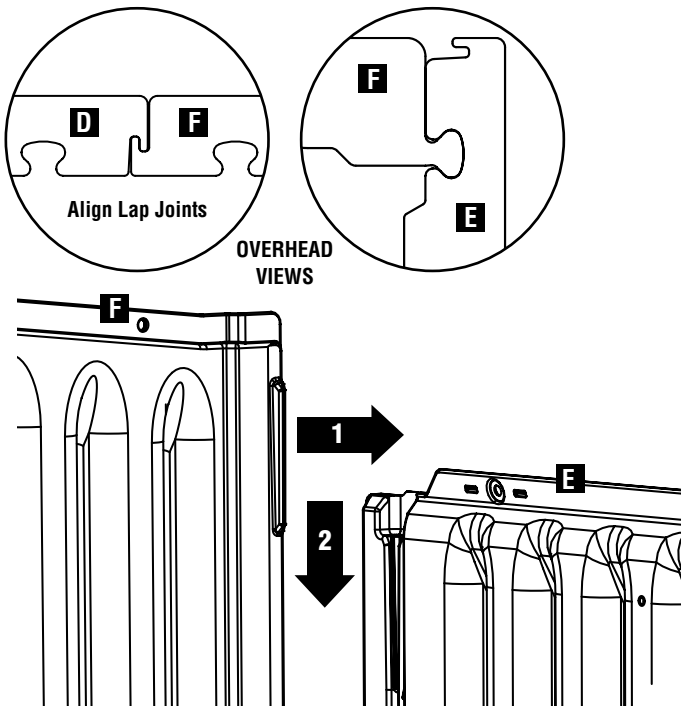


a. Using a screwdriver, punch out the screw holes on the top of **Right Back (F)** 4 places.

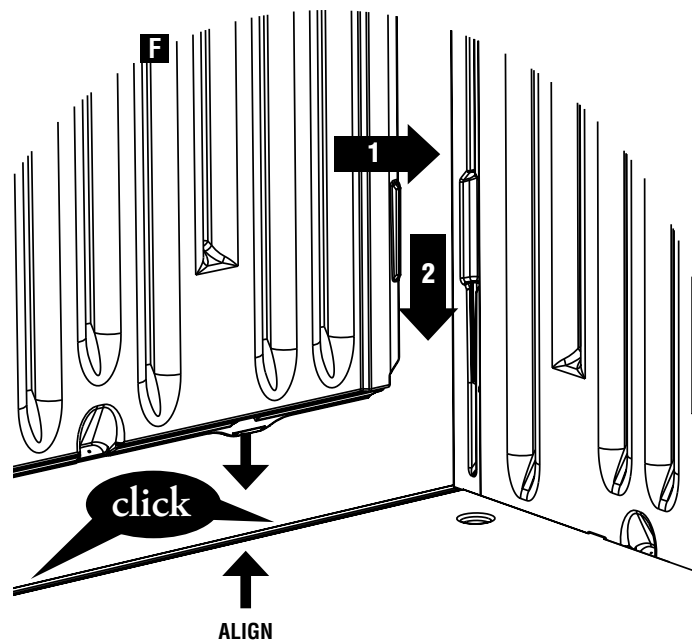


b. Connect **Right Back (F)** onto dovetails of **Repeat Right Side (E)**.
Align the lap joint between **Left Back (D)** and **Right Back (F)**.

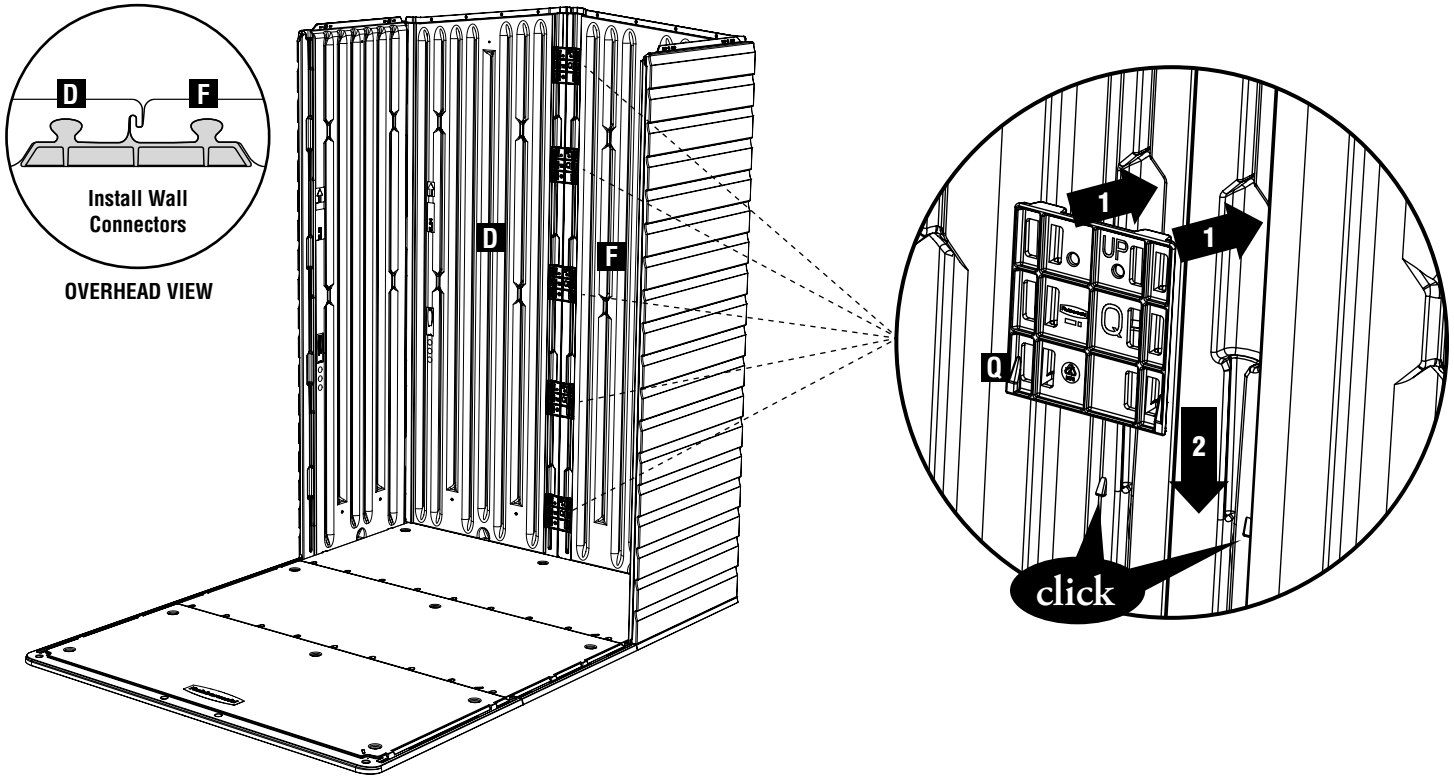
HELPFUL HINT: Lubricate dovetails with liquid soap.



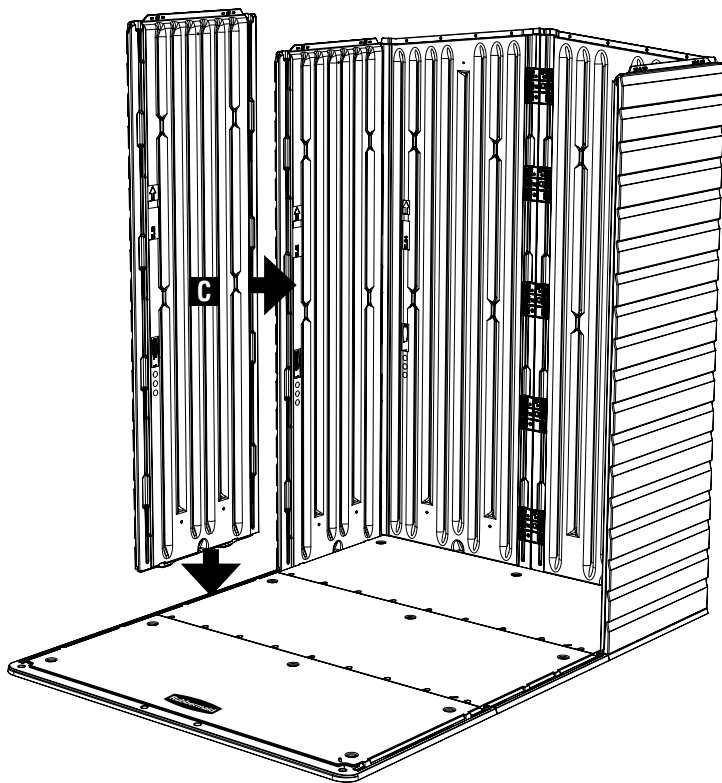
c. Engage snaps on bottom of **Right Back (F)** into **Repeat Floor (B)**.



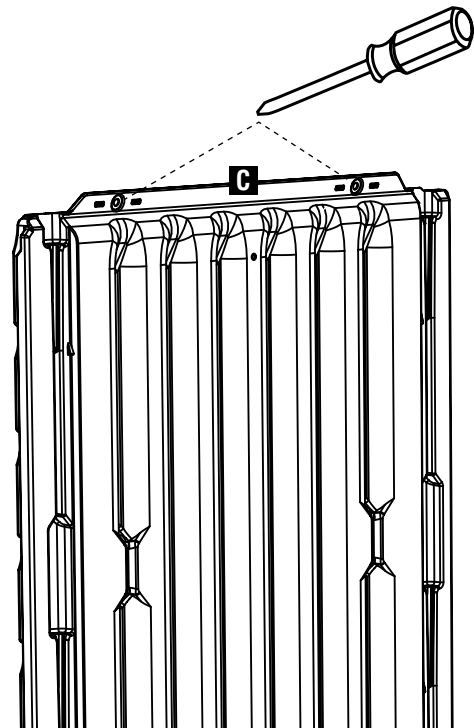
- d.** Install **Wall Connector (Q)** 5 places, connecting **Left Back and Right Back Panels (D and F)**.
Position connectors in slots and slide down to snap in place.



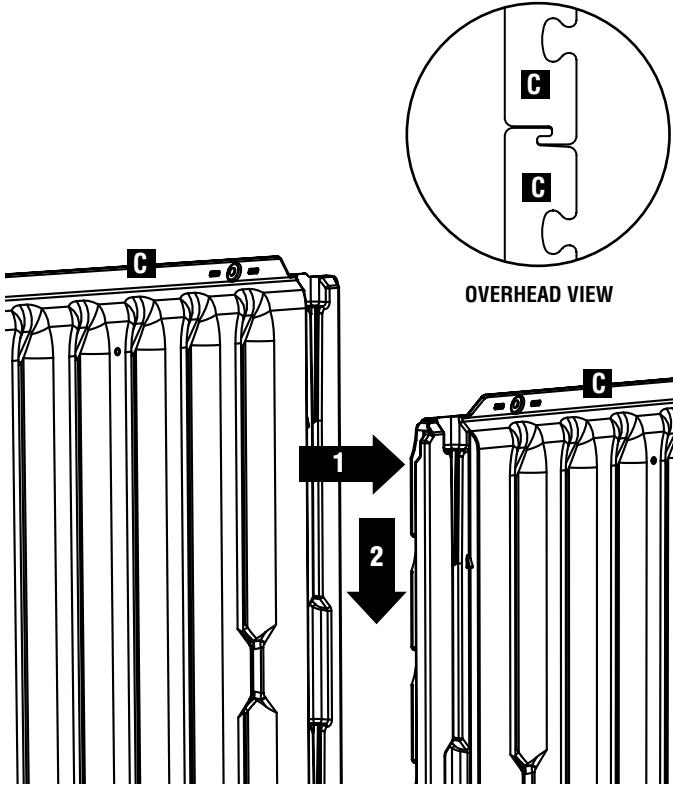
3.4 Wall Panel C (Repeat Left Side) Installation



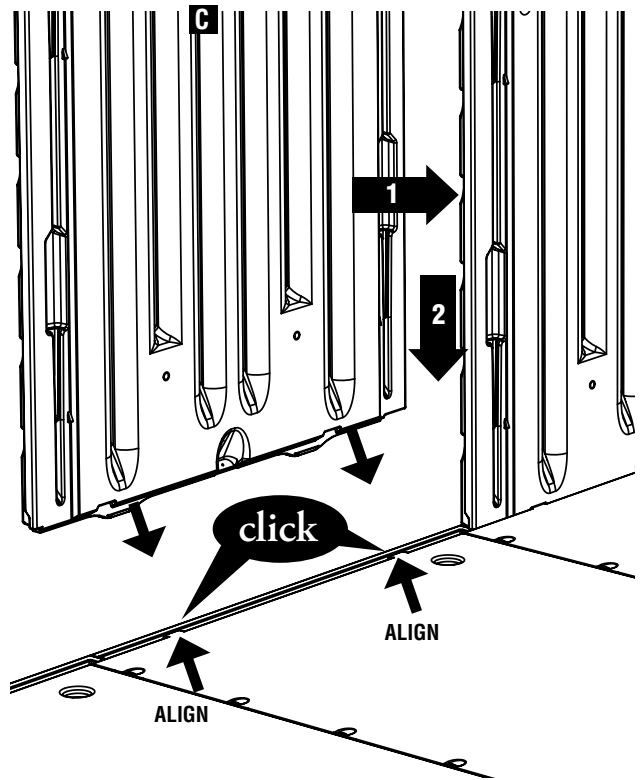
- a.** Using a screwdriver, punch out the screw holes on the top of **Repeat Left Side (C)** 2 places.



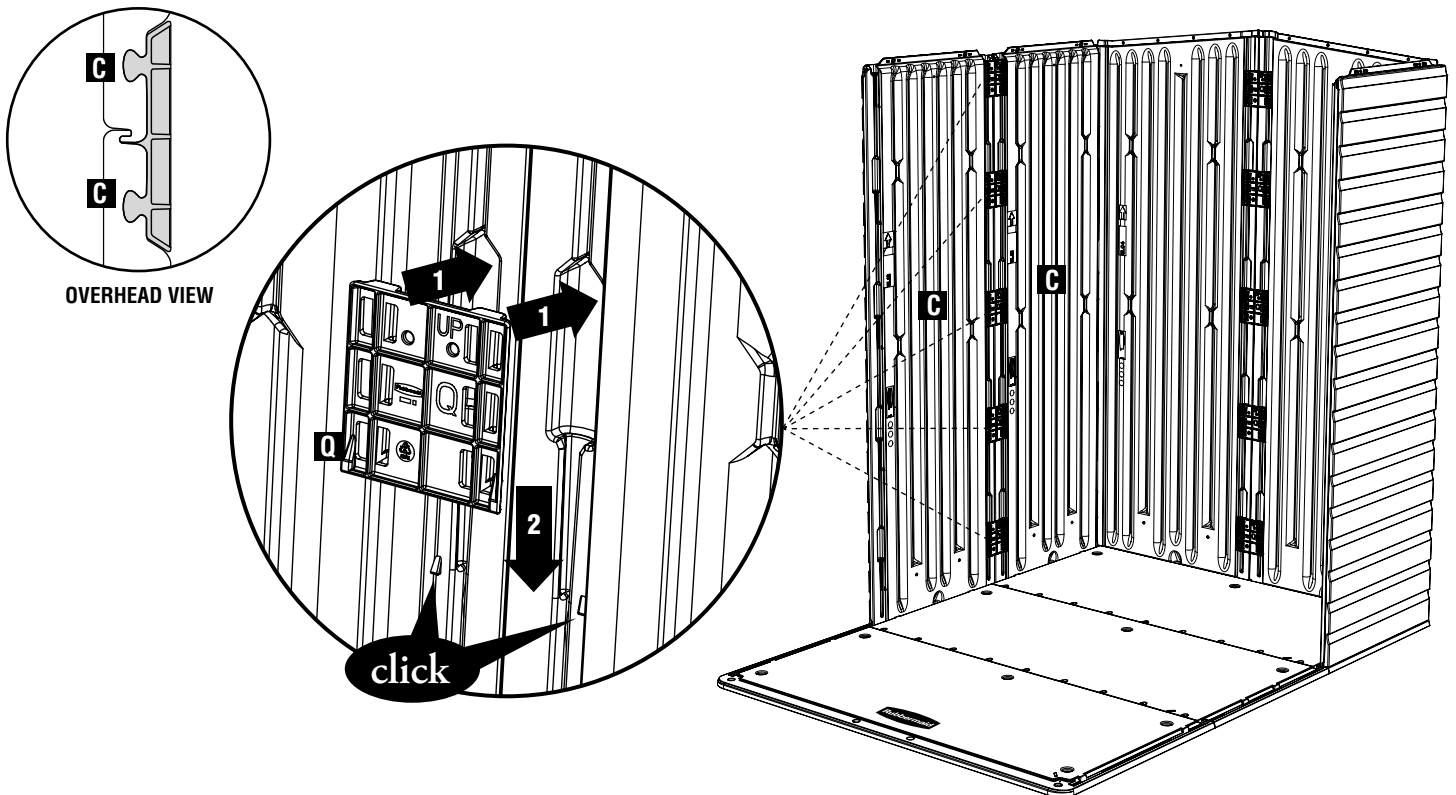
- b.** Align the lap joint between back position **Repeat Left Side (C)** and middle position **Repeat Left Side (C)**.



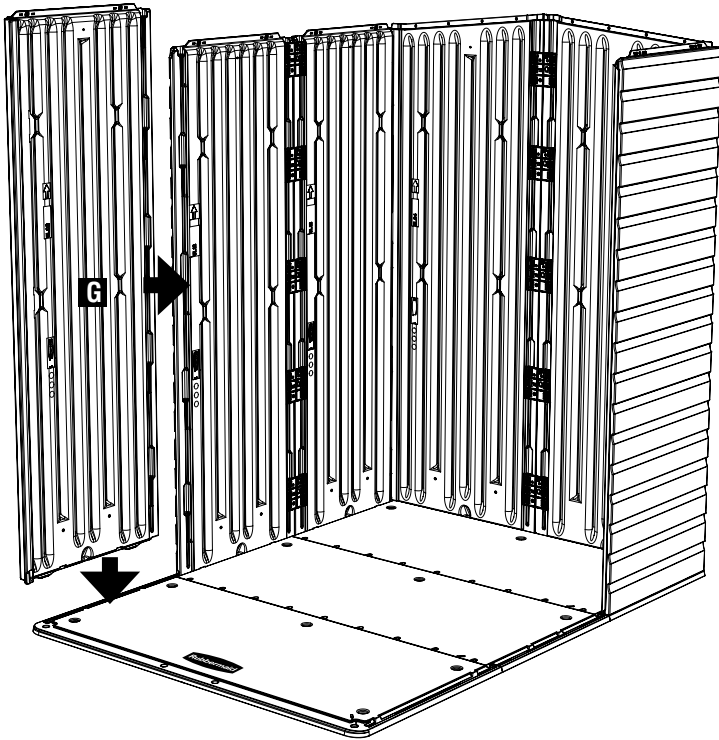
- c.** Snap middle position **Repeat Left Side (C)** into the middle position **Repeat Floor (B)**.



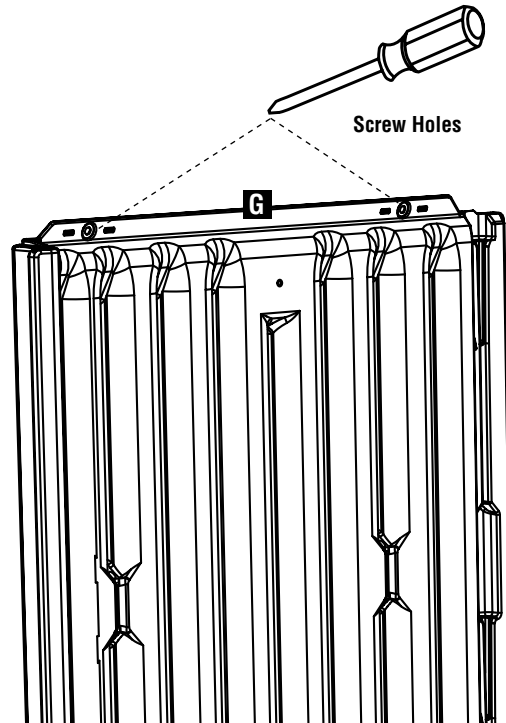
- d.** Install **Wall Connector (Q)** 5 places, connecting 2 Repeat Left Sides (C and C).
Position connectors in slots and slide down to snap in place.



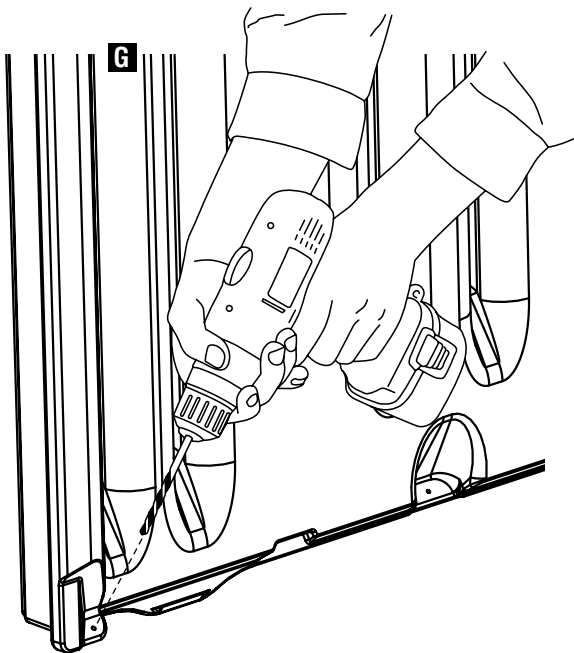
3.5 Wall Panel G Installation



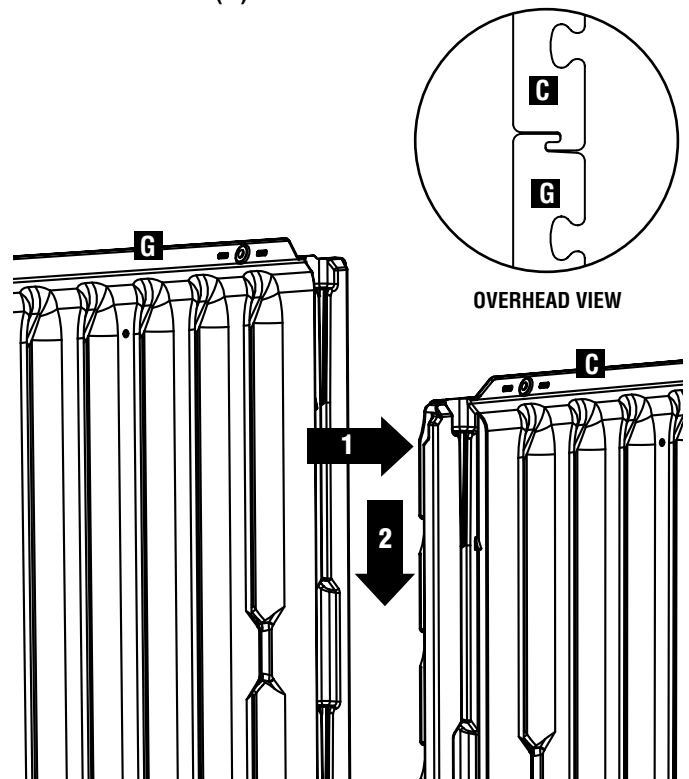
- a.** Using a screwdriver, punch out the screw holes on the top of **Front Left Side (G)** 2 places.



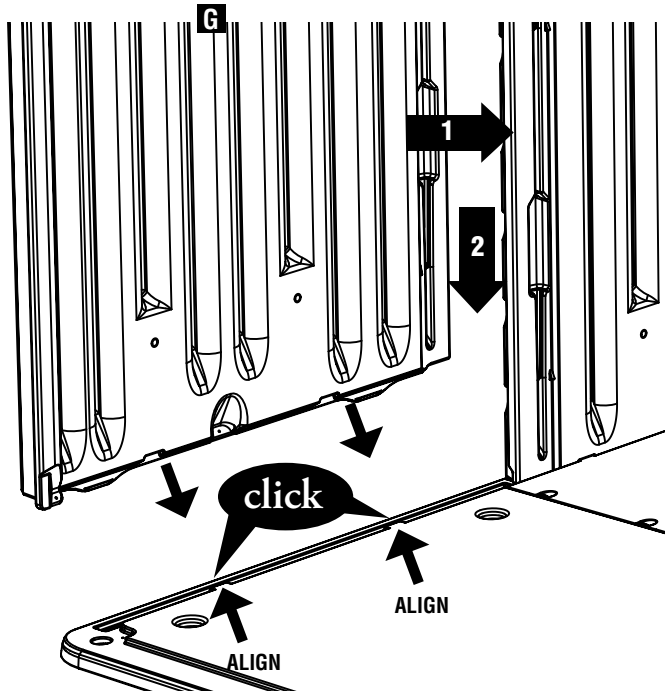
- b.** Drill a pilot hole (using 1/8" drill bit) in front lower corner at location indicated by screw target.
Note: This pilot hole is to be drilled through both walls.



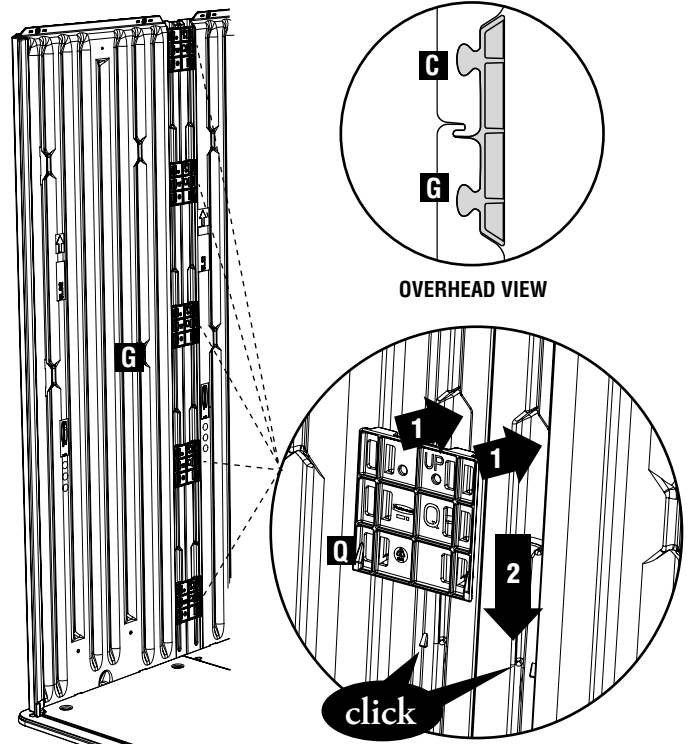
- c.** Align the lap joint between **Repeat Left Side (C)** and **Front Left Side (G)**.



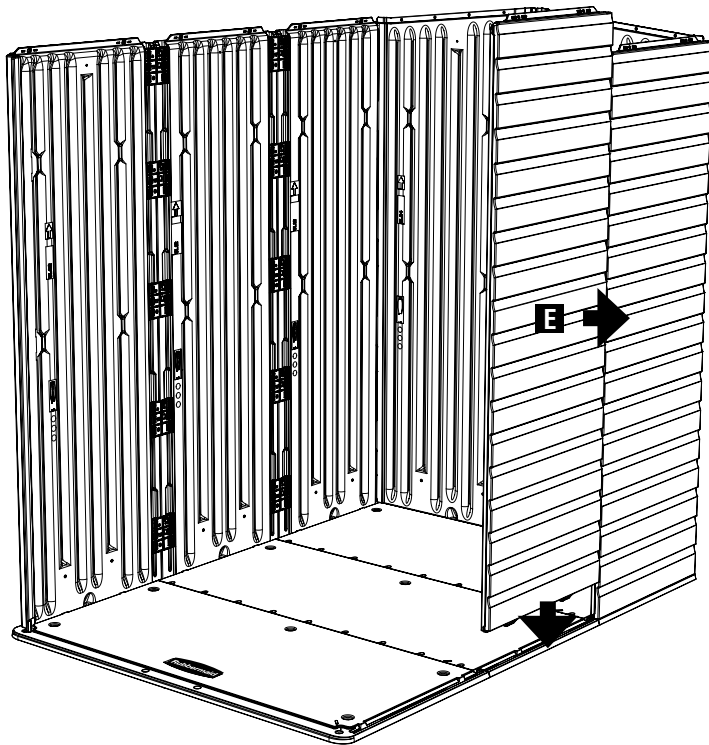
d. Snap Front Left Side (G) into Front Floor (A).



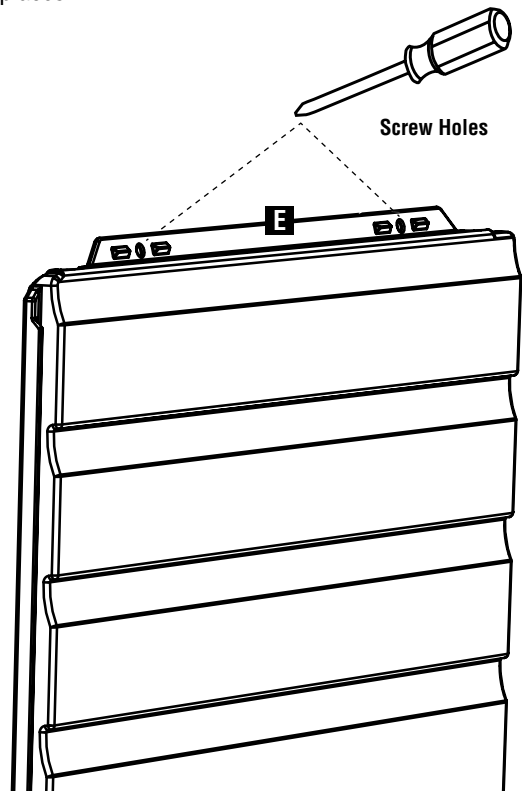
e. Install Wall Connector (Q) 5 places, connecting Repeat Left Side (C) and Front Left Side (G). Position connectors in slots and slide down to snap in place.



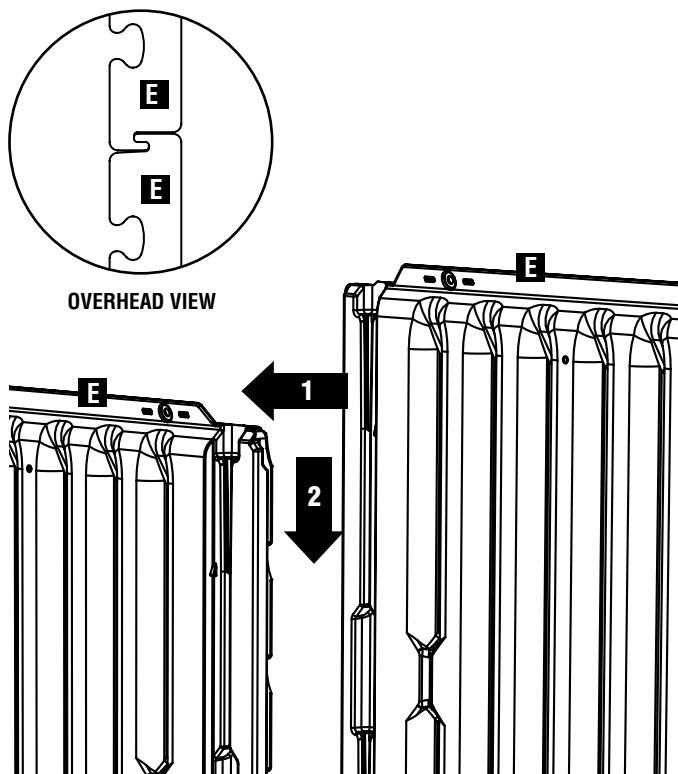
3.6 Wall Panel E (Repeat Right Side) Installation



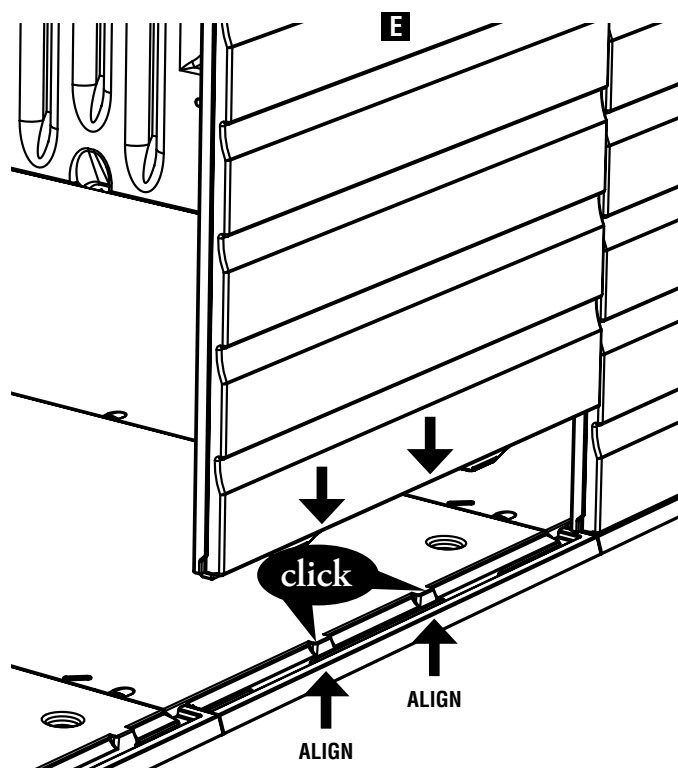
a. Using a screwdriver, punch out the screw holes on the top of the middle position Repeat Right Side (E) 2 places.



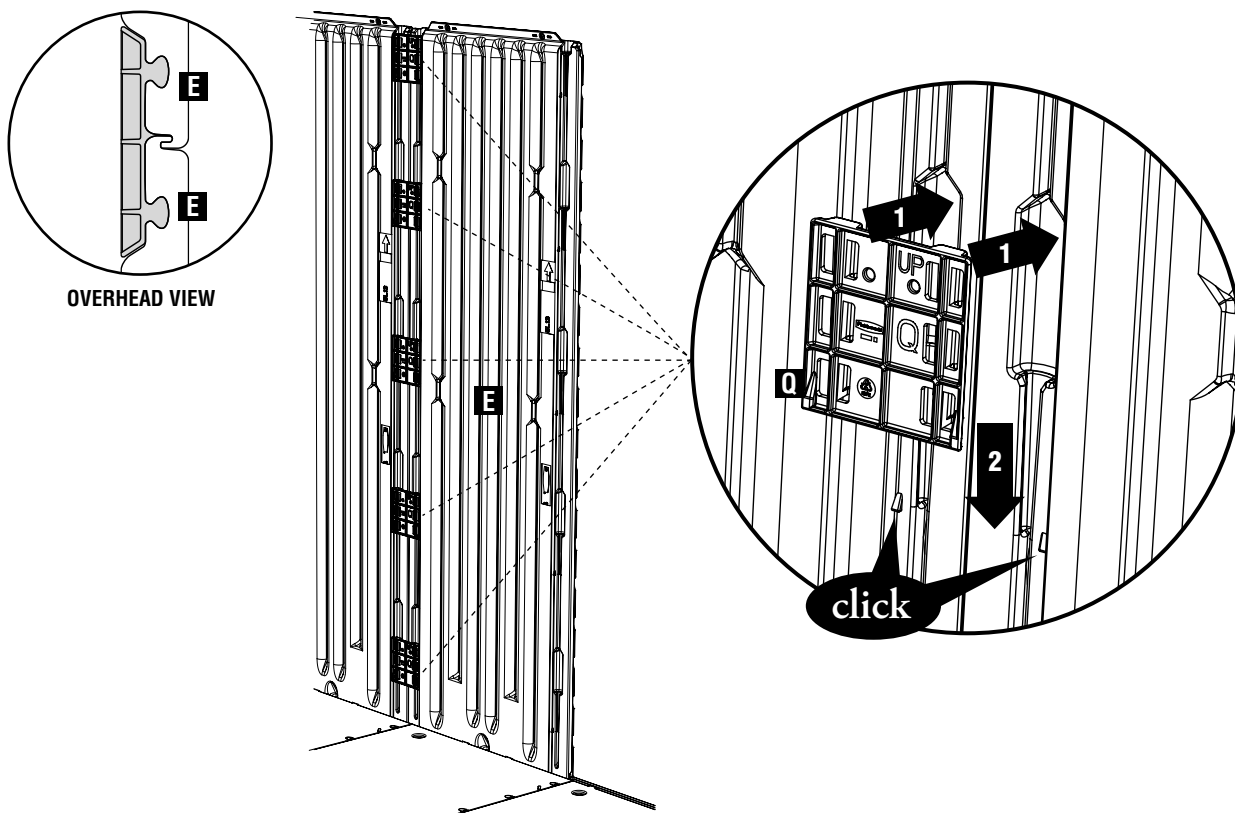
- b.** Align the lap joint between **Repeat Right Side (E)** and middle position **Repeat Right Side (E)**.



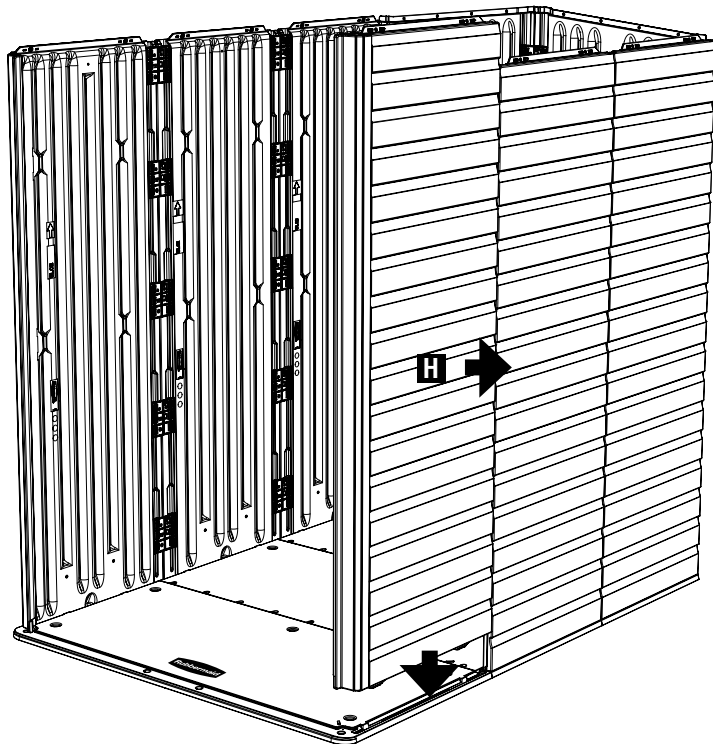
- c.** Snap middle position **Repeat Right Side (E)** into the middle position **Repeat Floor (B)**.



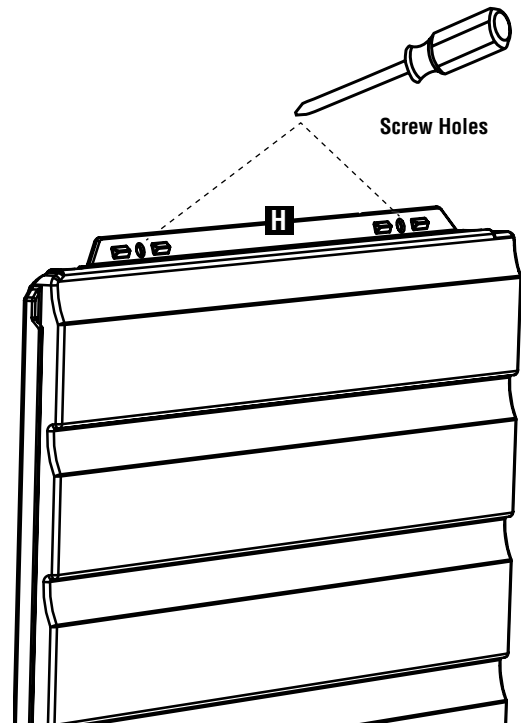
- d.** Install **Wall Connector (Q)** 5 places, connecting **Repeat Right Side (E)** and middle position **Repeat Right Side (E)**. Position connectors in slots and slide down to snap in place.



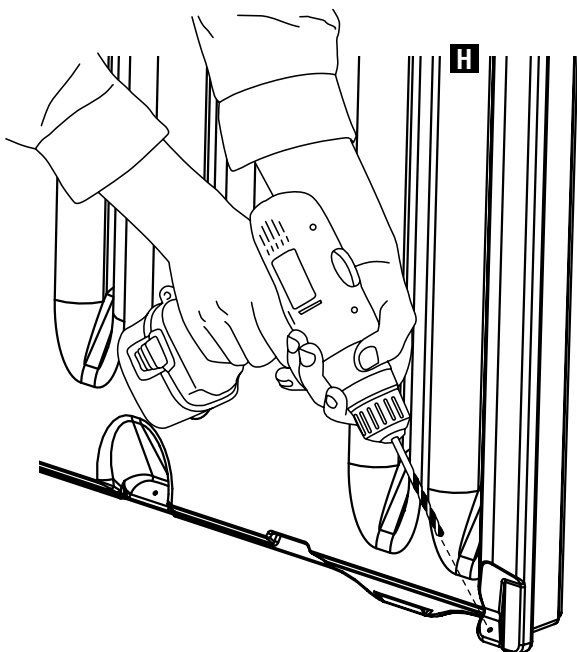
3.7 Wall Panel H Installation



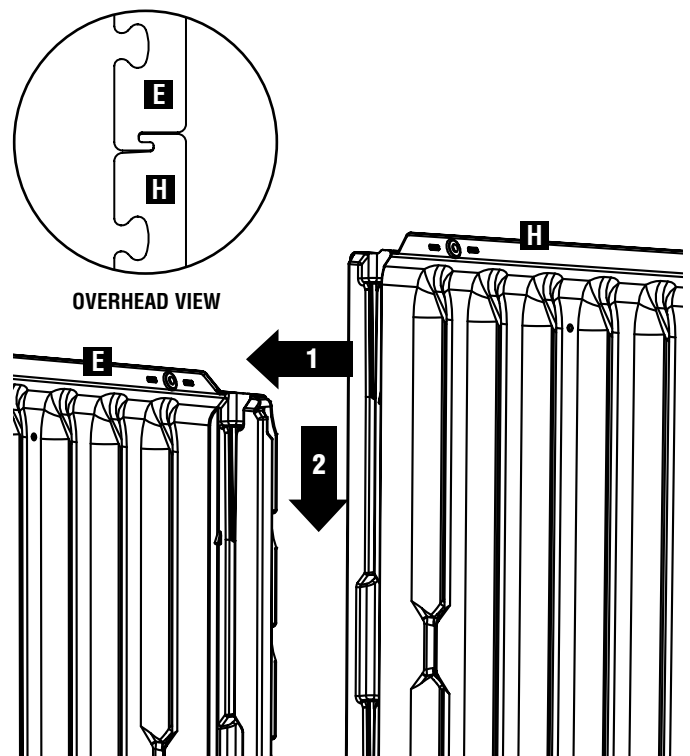
- a. Using a screwdriver, punch out the screw holes on the top of the middle position **Front Right Side (H)** 2 places.



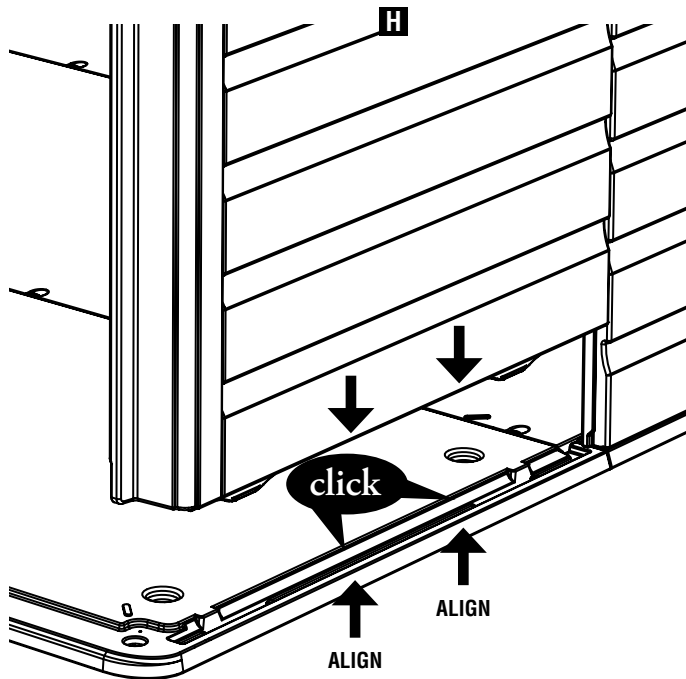
- b. Drill a pilot hole (using 1/8" drill bit) in front lower corner at location indicated by screw target.
Note: This pilot hole is to be drilled through both walls.



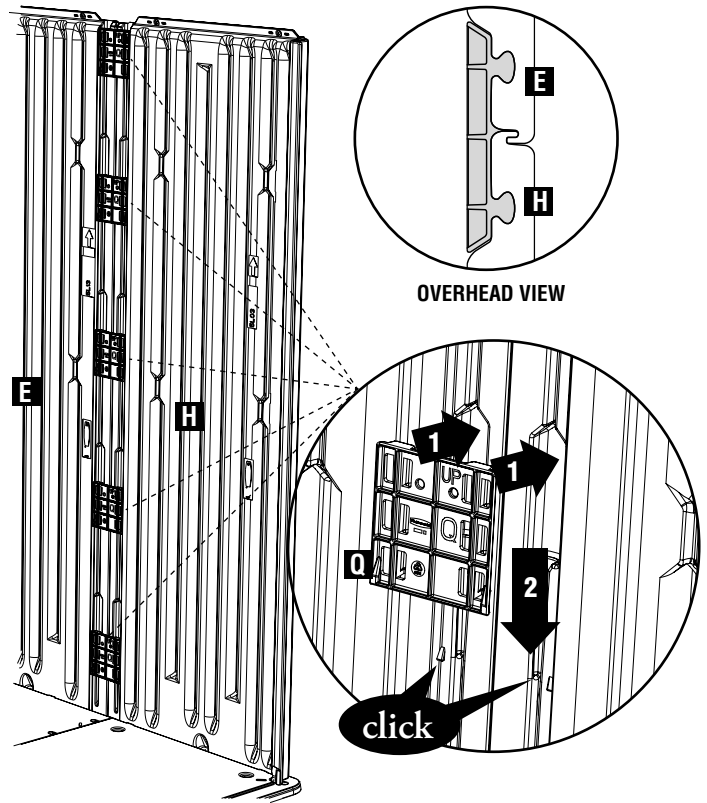
- c. Align the lap joint between **Front Right Side (H)** and middle position **Repeat Right Side (E)**.



d. Snap **Front Right Side (H)** into **Front Floor (A)**.

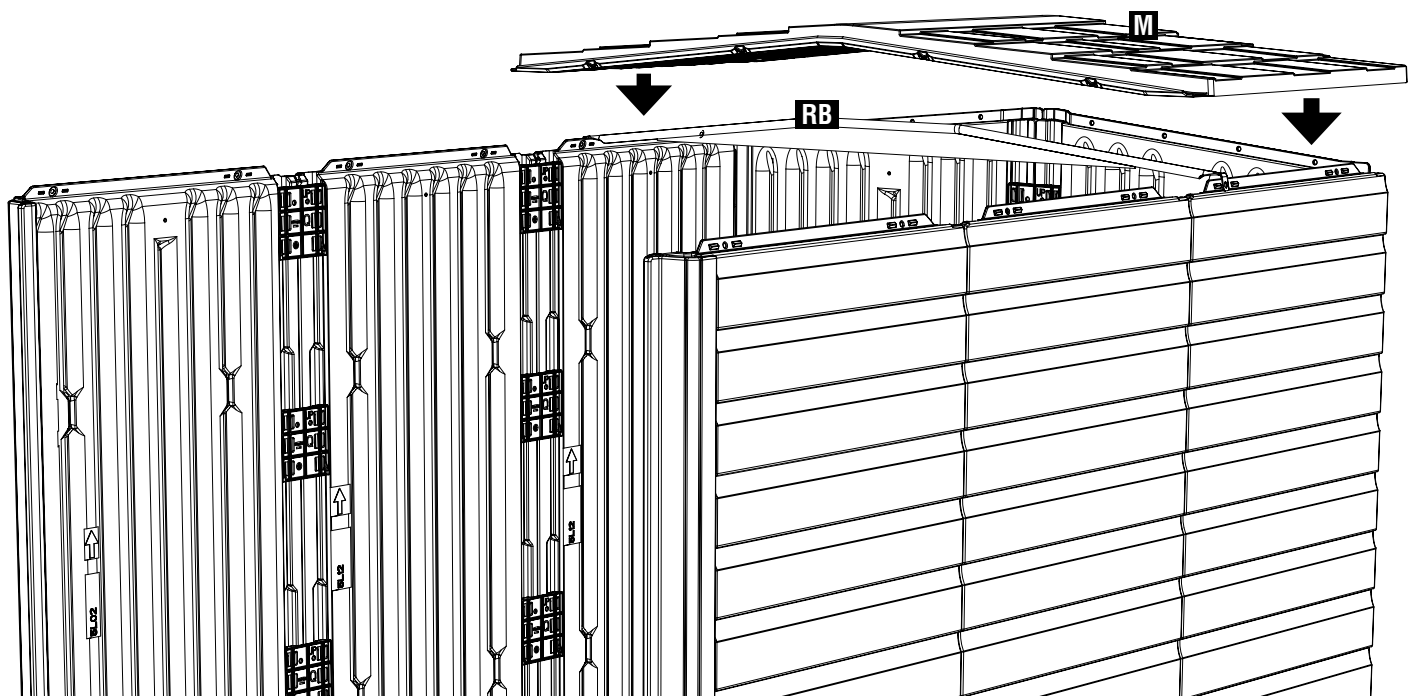


e. Install **Wall Connector (Q)** 5 places, connecting middle section **Repeat Right Side (E)** and **Front Right Side (H)**.

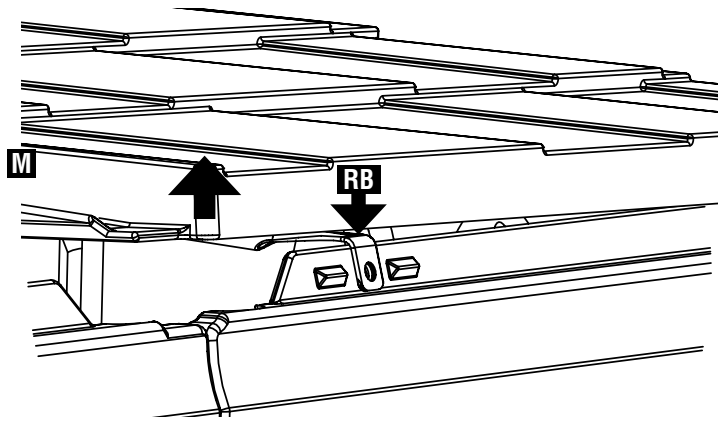


4.0 Roof Panel M (back position) Installation

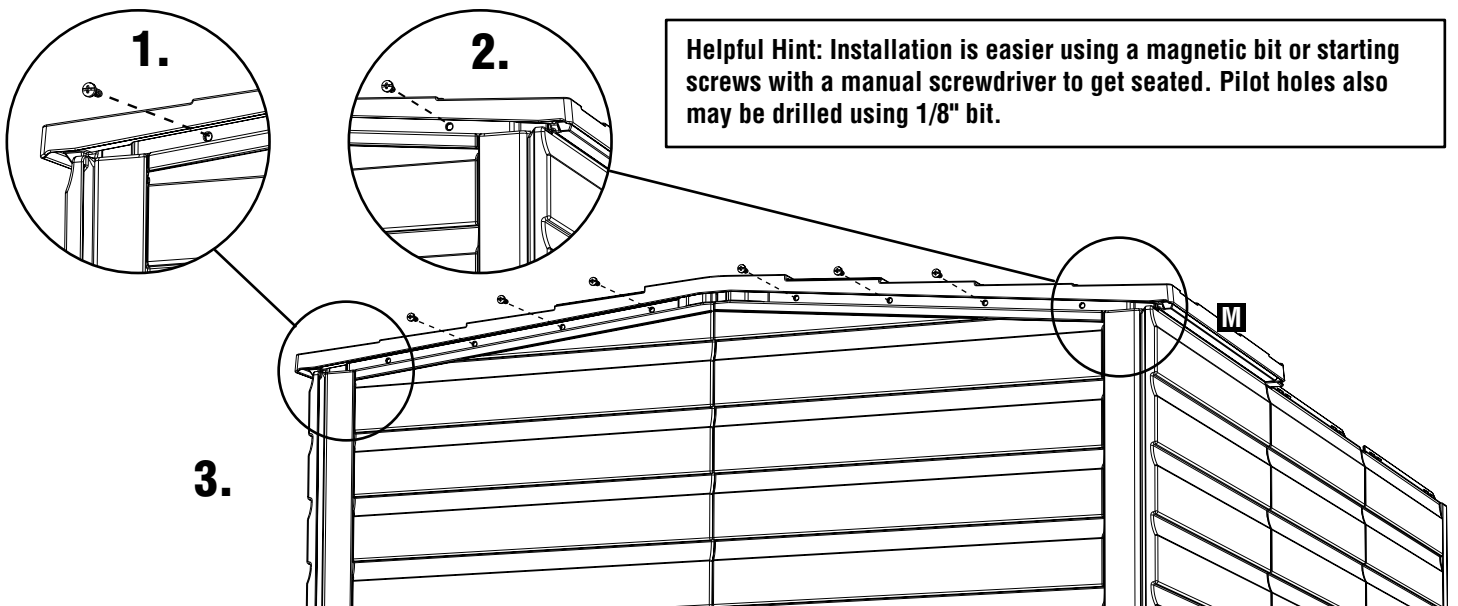
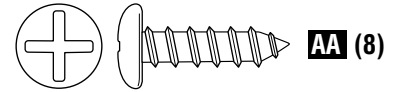
a. Install one **Repeat Roof (M)** onto back section. The overlap edge of roof points toward the back of the shed.
Align tongues on top of back wall to the outside of the roof panel overlap.
Align tongues on top of side walls into grooves in roof.



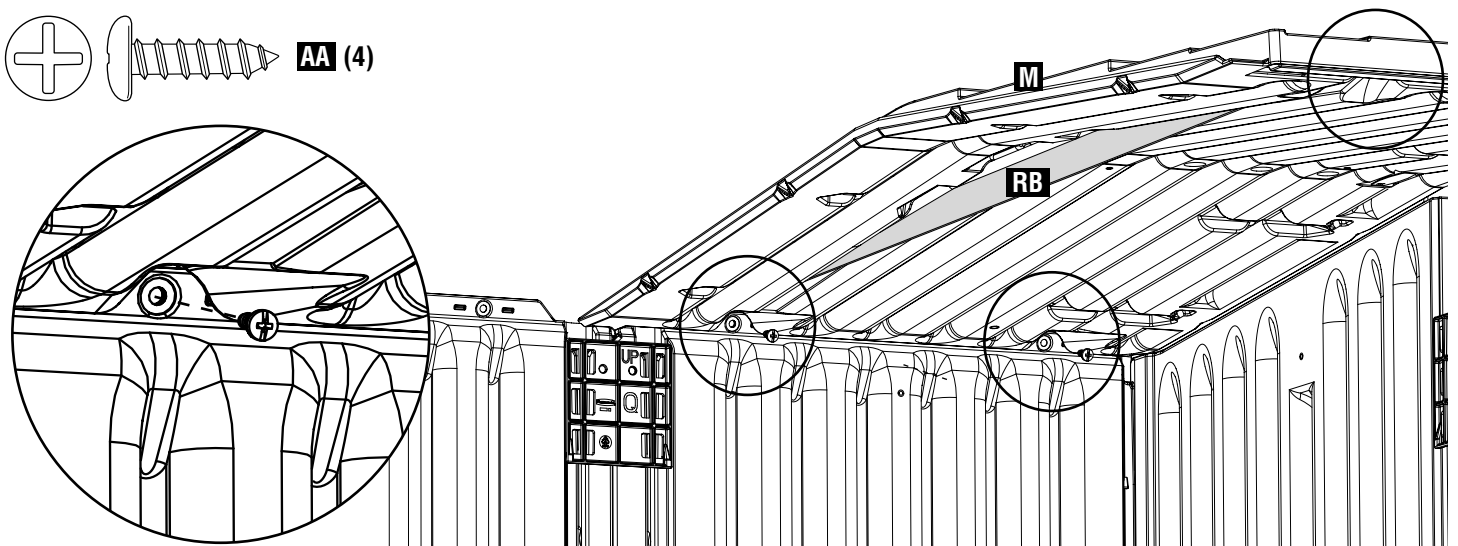
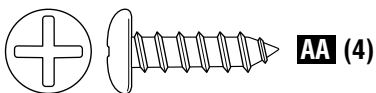
- b.** Slightly raise front edge of roof enough to allow positioning of **Roof Brace (RB)** onto the side walls as shown. Lower the roof onto the walls and align **Roof Brace (RB)** into pocket in **Repeat Roof (M)**.



- c.** Ensure **Repeat Roof (M)** is positioned against the back wall tongues. From outside the shed, install one **Screw (AA)** at each corner. **Hold the edge of the roof down firmly at the corners while installing each screw.** Install remaining screws into remaining locations of back walls.

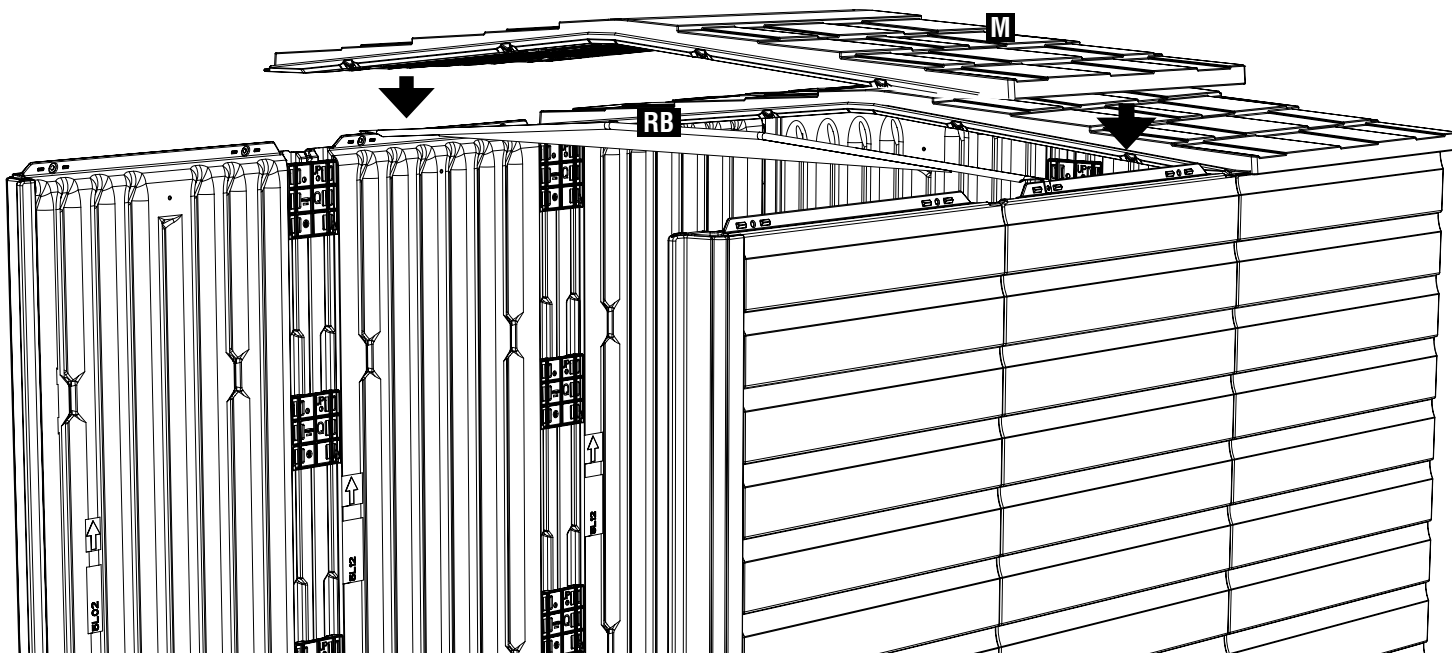


- d.** From inside the shed, install four **Screws (AA)** into the roof at each side wall location. **Note: The screws also have to go through the Roof Brace (RB) at each end to properly secure the roof!** A second person on the outside of the shed should hold down the edge of the roof firmly at each screw location.

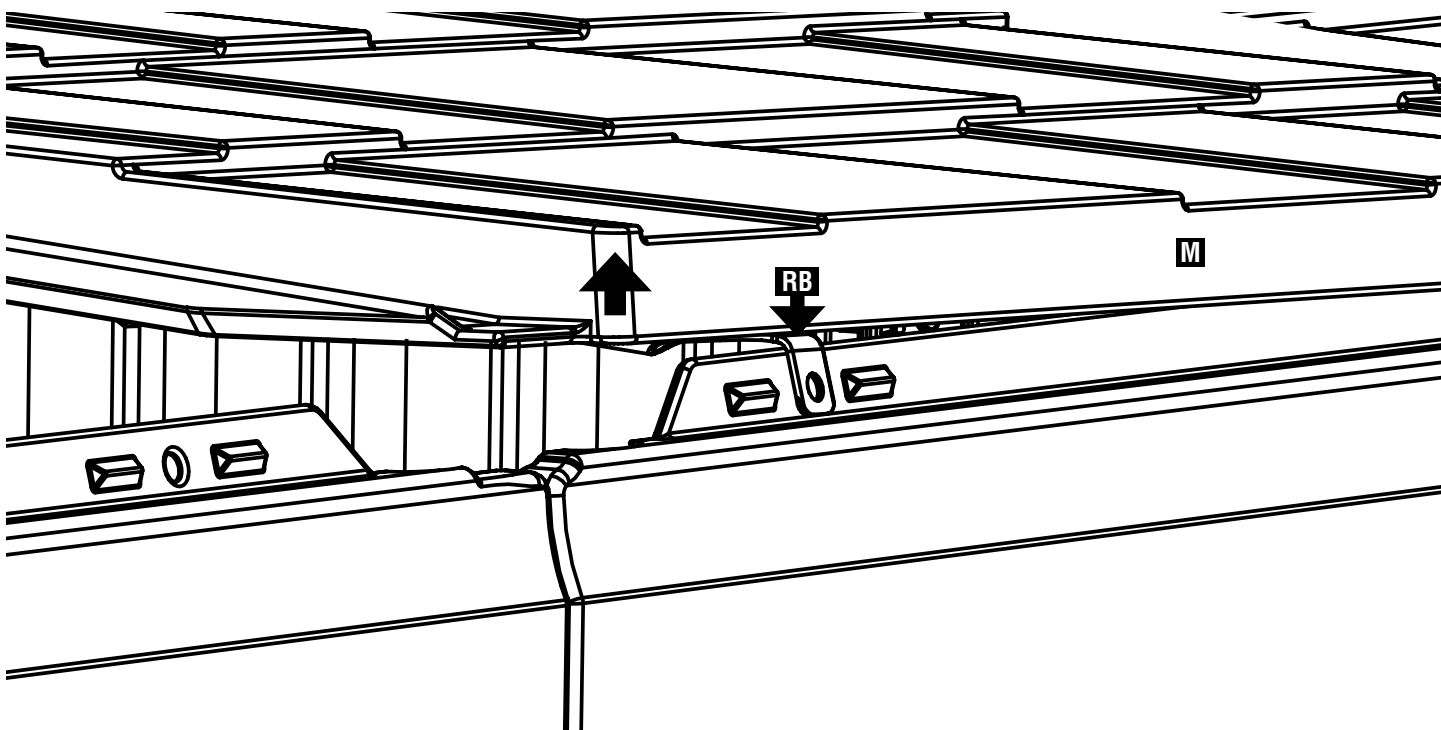


4.1 Roof Panel M (middle position) Installation

- a. Install one **Repeat Roof (M)** onto middle section. The overlap edge of roof points toward the back of the shed. Align tongues on top of side walls into grooves in roof.

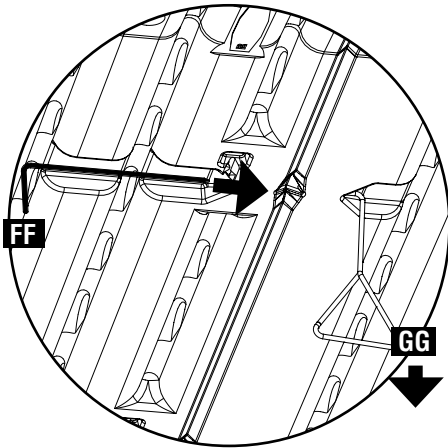


- b. Slightly raise front edge of roof enough to allow positioning of **Roof Brace (RB)** onto the side walls as shown. Lower the roof onto the walls and align **Roof Brace (RB)** into pocket in **Repeat Roof (M)**.

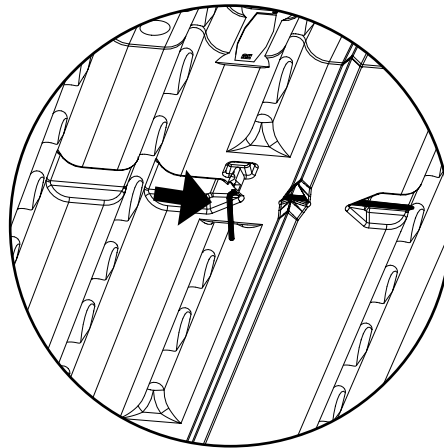


- C.** Make sure middle location **Repeat Roof (M)** is positioned tightly against the back **Repeat Roof (M)** section.
Install **Roof Pins (FF)** in four places. If necessary, use **Roof Pin Assembly Tool (GG)** to pull the roof down.

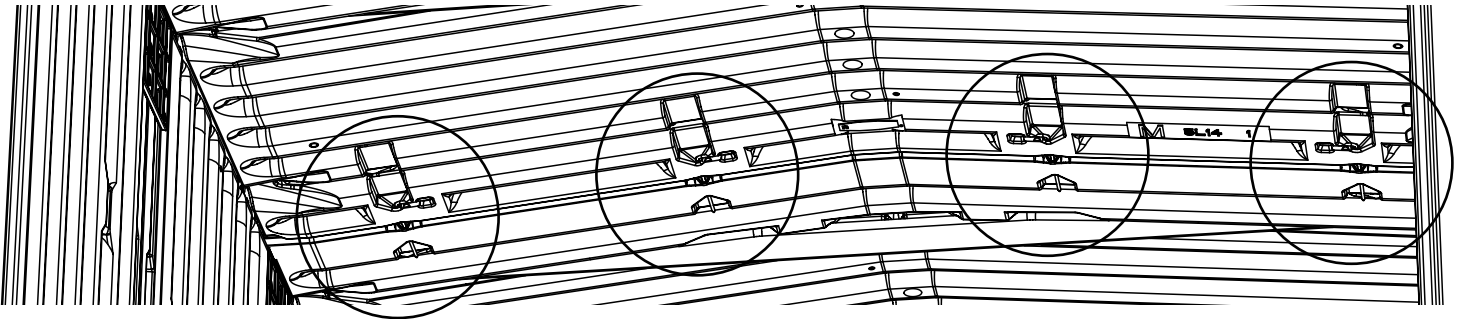
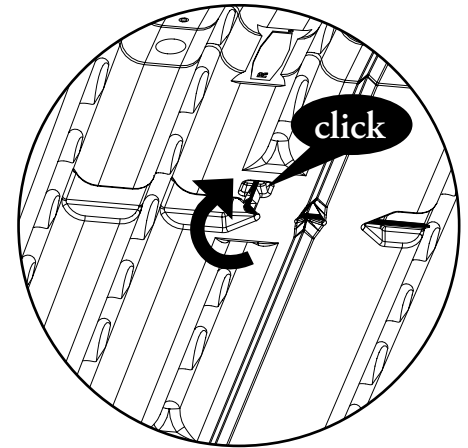
1. Insert pin in slot.



2. Push all the way through.

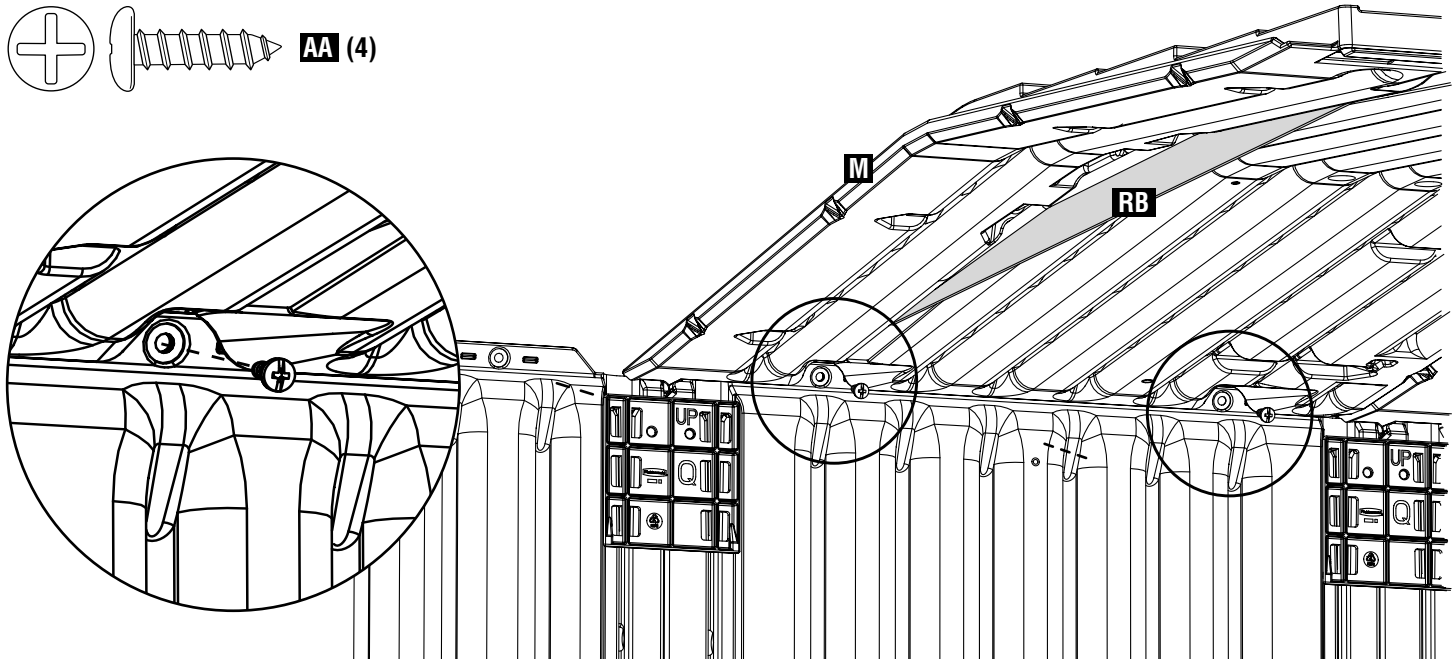
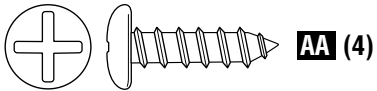


3. Rotate head flush with roof.



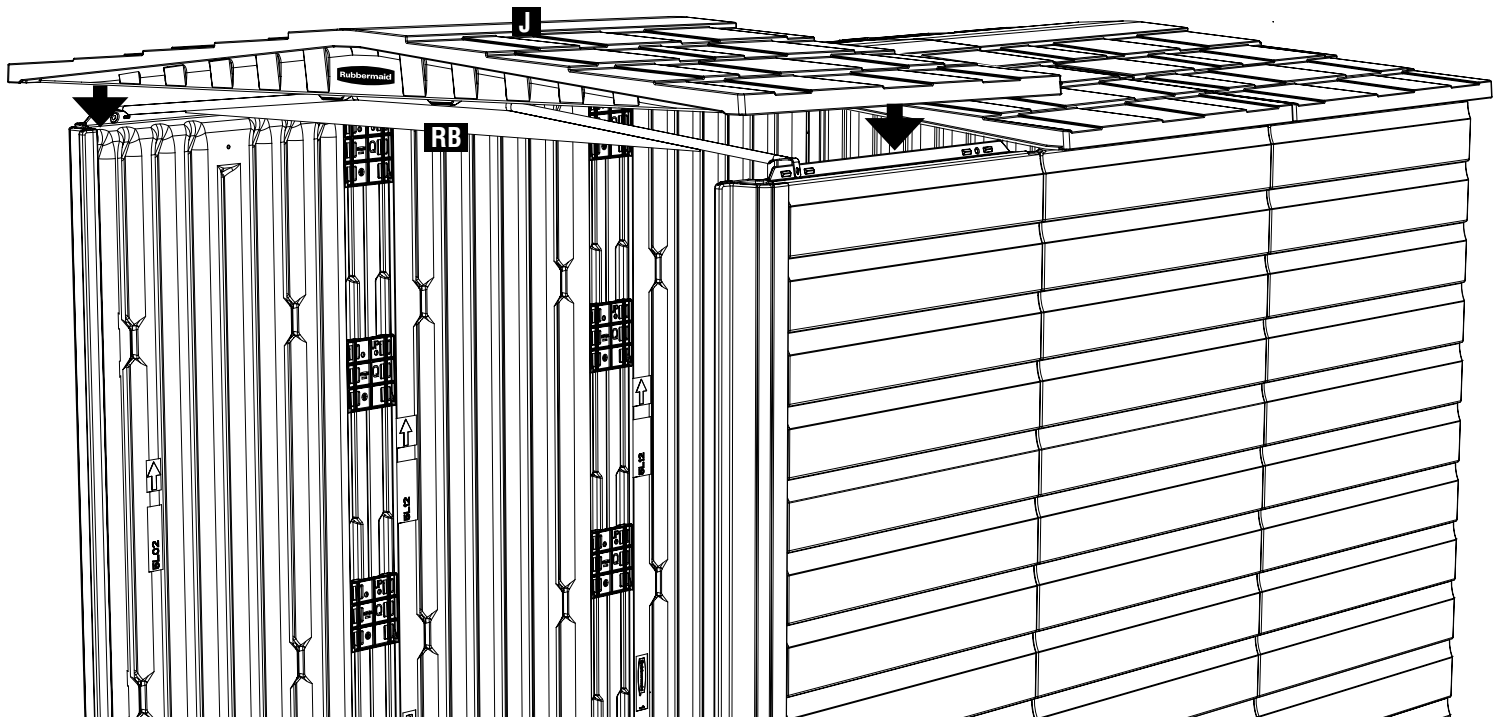
Install Roof Pins four places.

- d.** From inside the shed, install four **Screws (AA)** into the roof at each side wall location.
Note: The screws also have to go through the Roof Brace (RB) at each end to properly secure the roof!
A second person on the outside of the shed should hold down the edge of the roof firmly at each screw location.

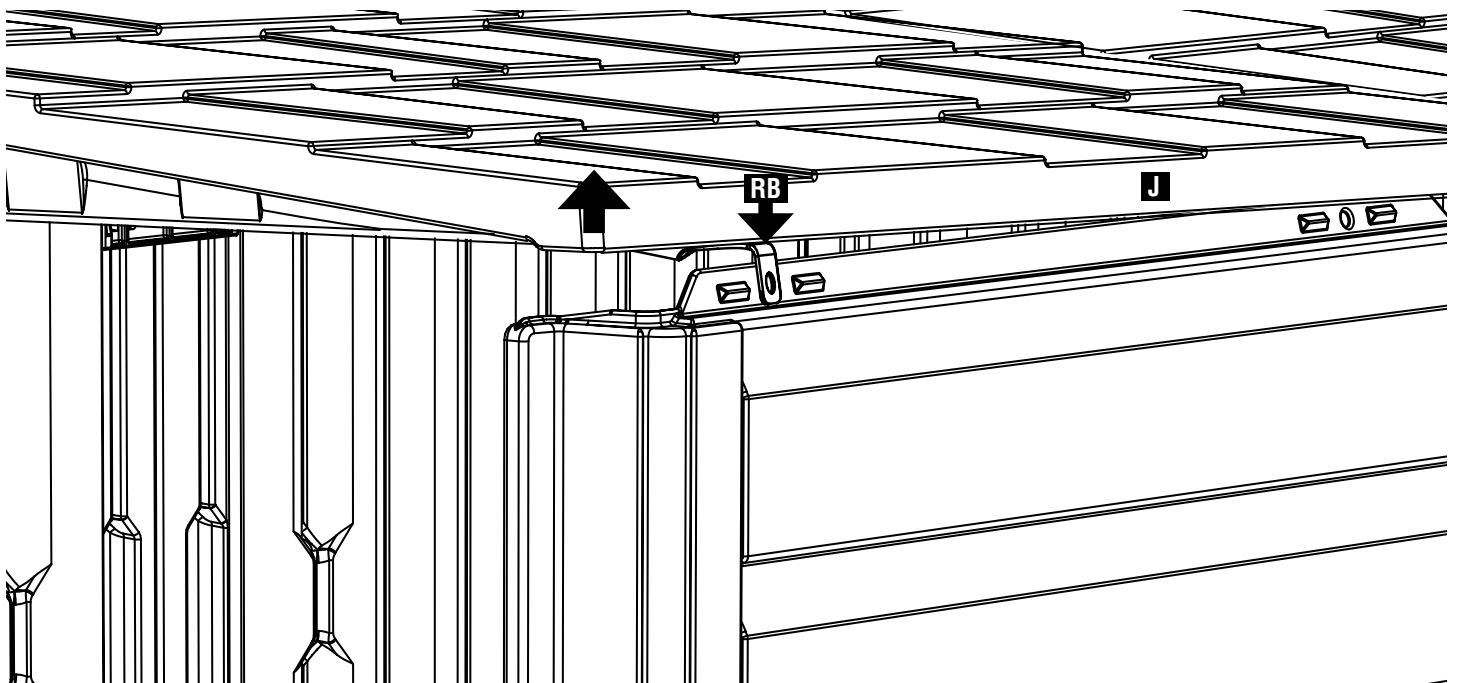


4.2 Roof Panel J (front position) & Door Installation

- a. Install one **Front Roof (J)** onto front section: roof gable edge toward front of shed.
Align tongues on top of side walls into grooves in roof.

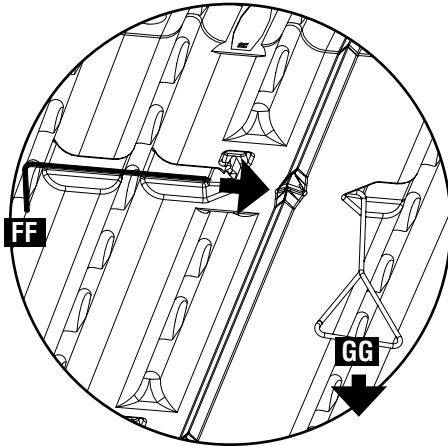


- b. Slightly raise front edge of roof enough to allow positioning of **Roof Brace (RB)** onto the side walls as shown.
Lower the roof onto the walls and align **Roof Brace (RB)** into pocket in **Front Roof (J)**.

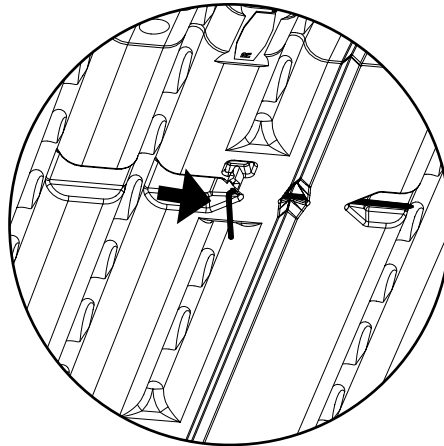


- C.** Make sure **Front Roof (J)** is positioned tightly against the middle **Repeat Roof (M)** section.
Install **Roof Pins (FF)** in four places. If necessary, use **Roof Pin Assembly Tool (GG)** to pull the roof down.

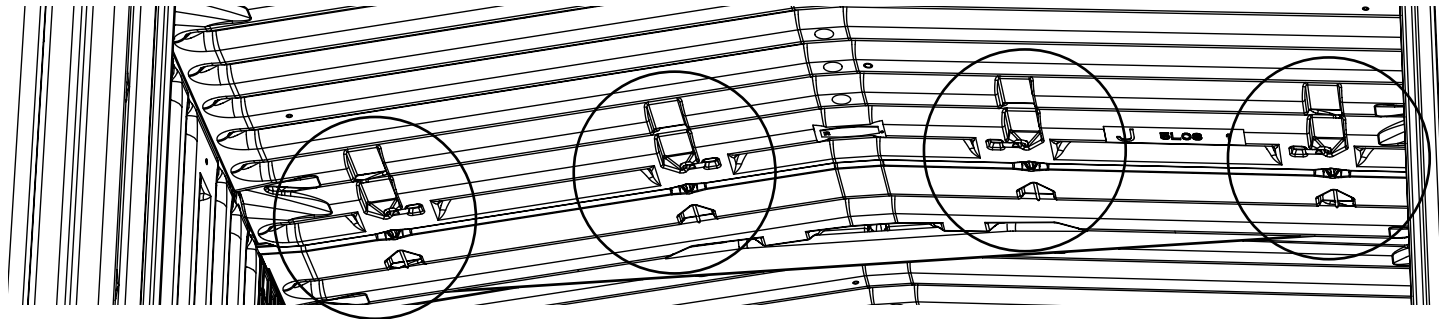
1. Insert pin in slot.



2. Push all the way through.

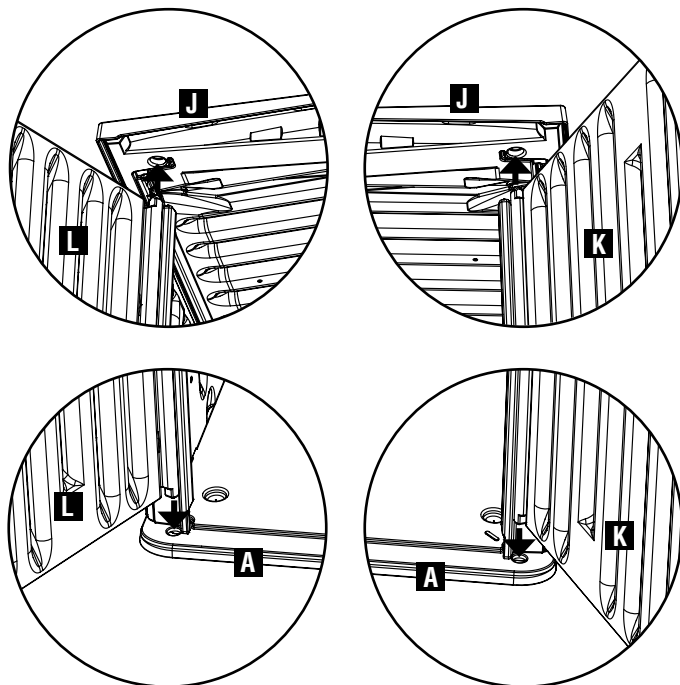


3. Rotate head flush with roof.



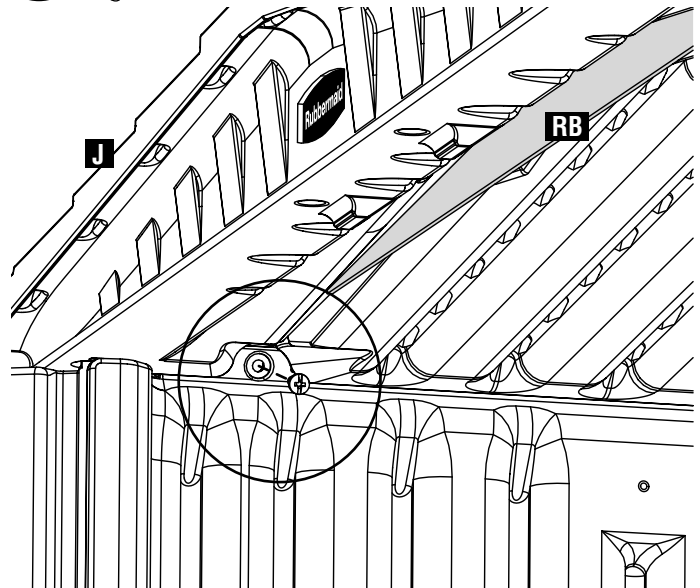
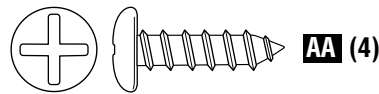
Install Roof Pins four places.

- d.** Install **Left Door (L)** and **Right Door (K)** into hinge openings of **Front Floor (A)** and hinge sockets in **Front Roof (J)**.
Note: Only raise front edge of roof enough to install the door hinge pins.



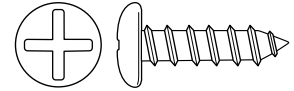
- e.** From inside the shed, install four **Screws (AA)** into the roof at each side wall location.

Note: The screws also have to go through the **Roof Brace (RB)** at each end to properly secure the roof!
A second person on the outside of the shed should hold down the edge of the roof firmly at each screw location.



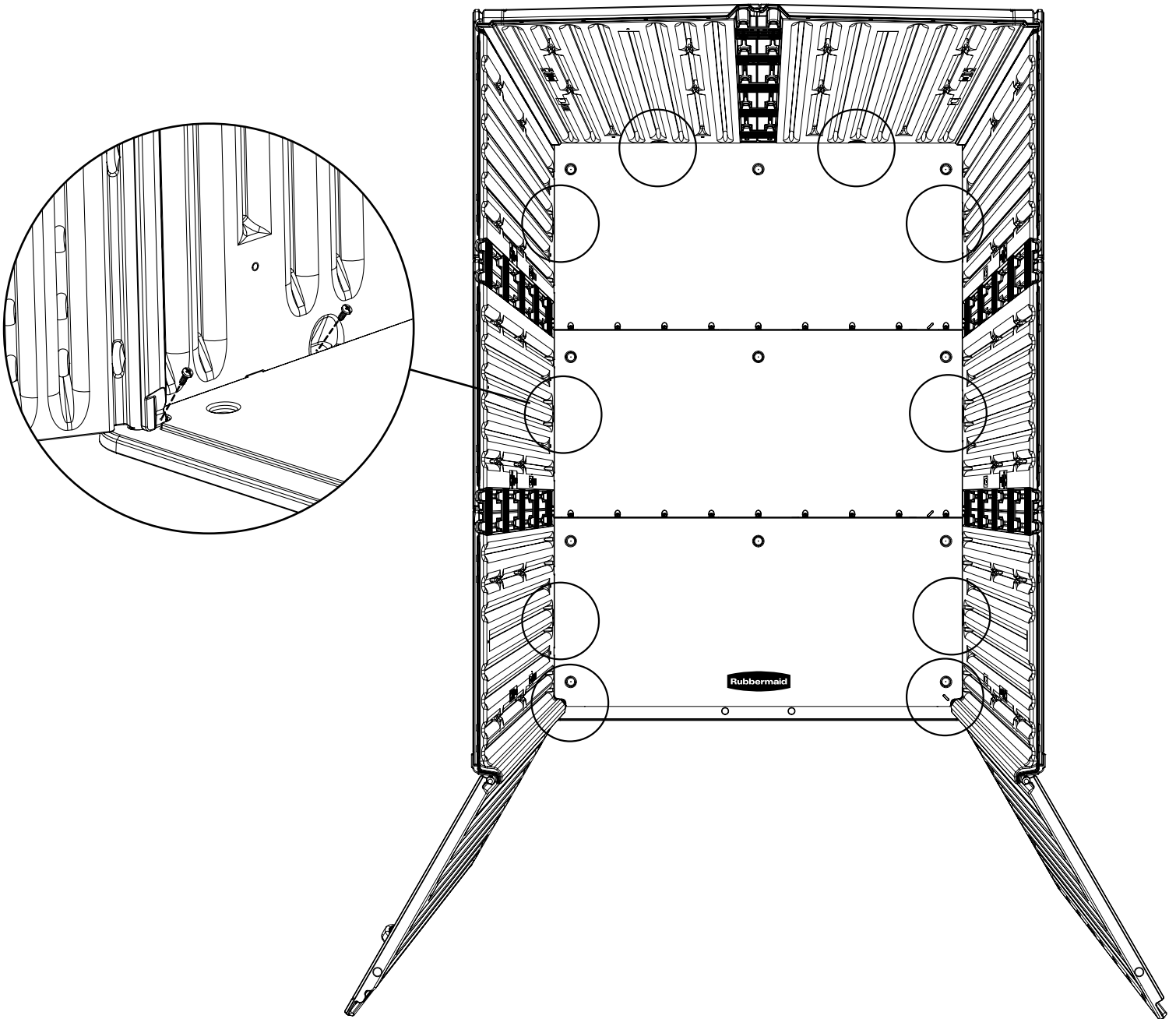
5.0 Finishing Installation

a. Install **Screws (AA)** into 10 locations shown at bottom of wall panels to secure walls to floor.



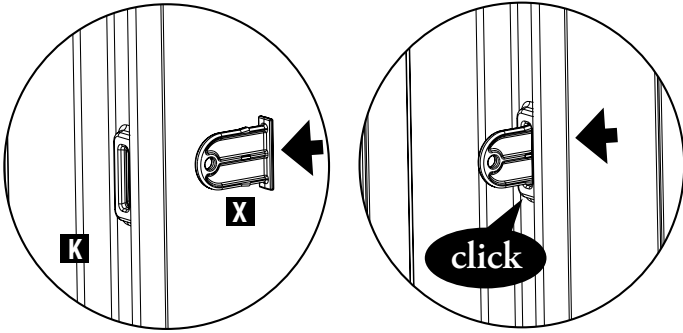
AA (10)

HELPFUL HINT: Pilot holes may be drilled for the screws.
CAUTION: Do not overtighten screws.

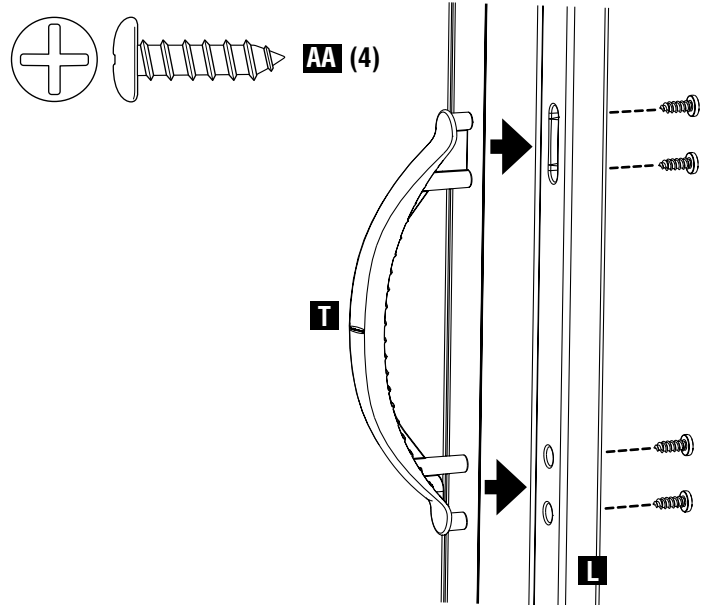


5.1 Door Finishing Installation

a. Install **Lock Hasp (X)** into opening on **Right Door (K)**.

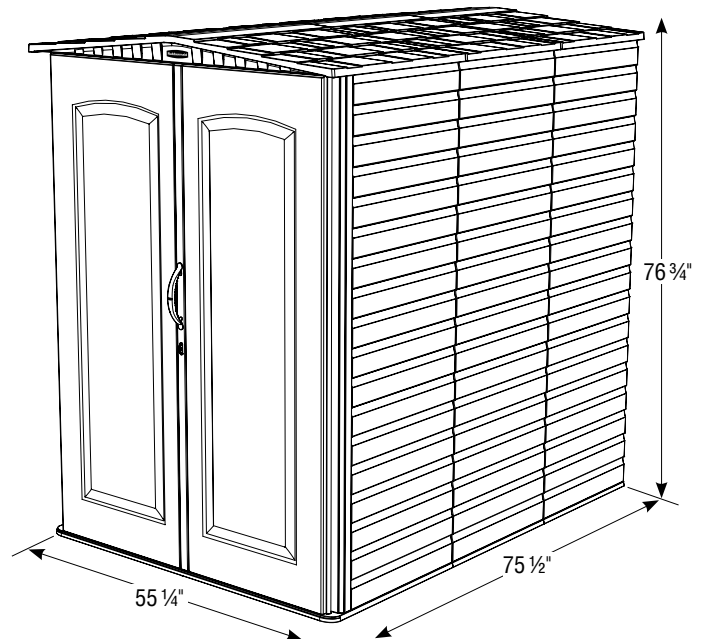


b. Install **Door Handle (T)** onto **Left Door (L)** using four **Screws (AA)**.



MAINTENANCE & SAFETY

- Periodically check shed to assure it remains stable and the site remains level.
- In areas of high winds it is recommended to anchor shed to platform or ground by holes in floor at designated location and secure with the proper fasteners (not included).
- Wash shed with garden hose or a mild detergent solution. Using an abrasive cleaner could damage your shed.
- Hot items such as recently used grills or fire pits should not be stored in the building.
- Heavy items should not be leaned against the walls, as this may cause distortion.
- Keep doors closed when not in use to prevent wind damage.
- Do not climb onto roof.
- Shed is not designed for habitation.



A **NewellRubbermaid** Company

Printed in U.S.A.
2009 Rubbermaid Incorporated,
Huntersville, NC U.S.A. 28078-1801

Customer Service

Toll Free: 1-888-895-2110
M-F 8:30AM to 5PM EST

or visit us at www.rubbermaid.com