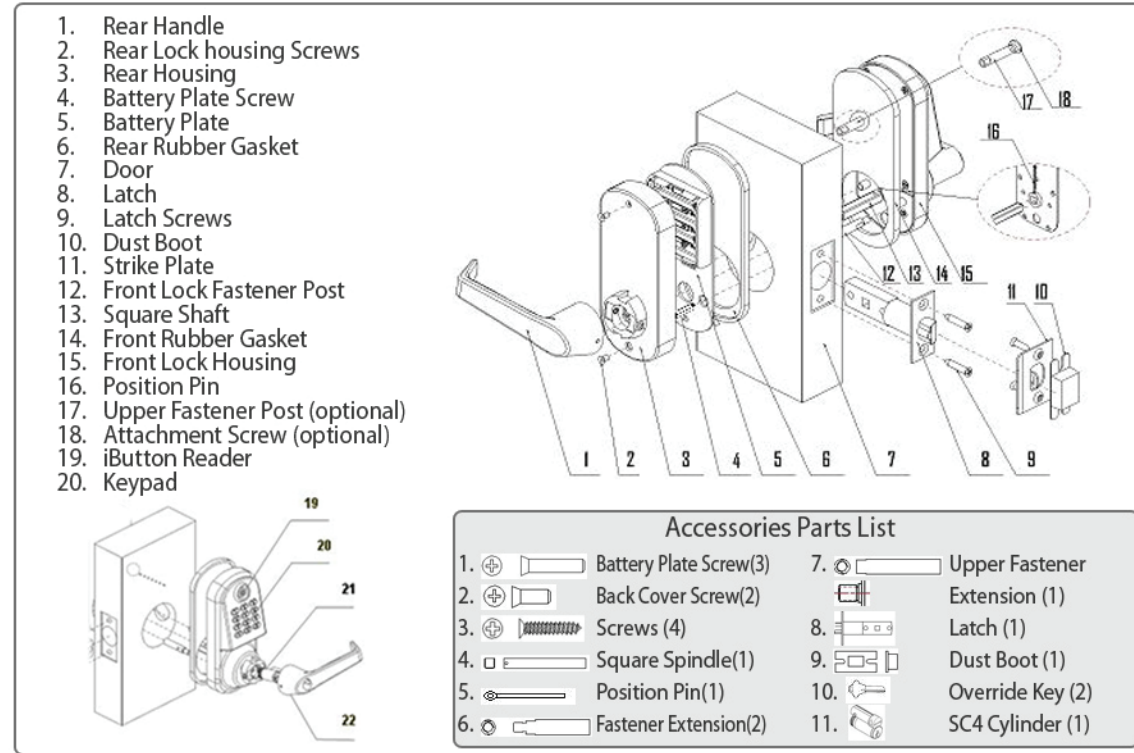




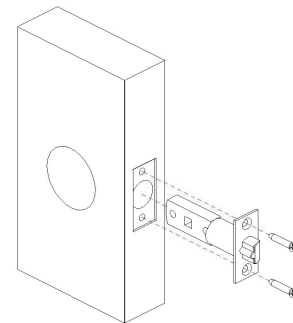
Major Lock Parts List



Installation Instructions

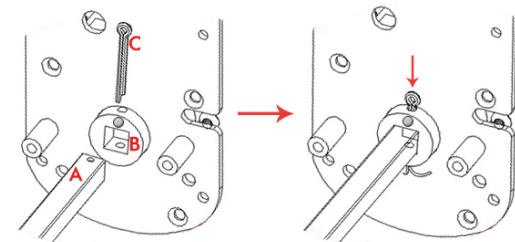
Step 1

Insert the latch into the latch hole. Secure the latch with two screws.



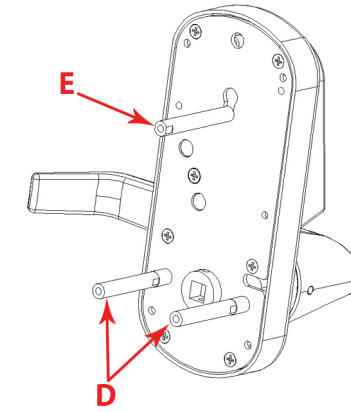
Step 2

Insert the square spindle (A) into the center hub (B). Then secure the spindle by inserting the position pin (C) through the hole in the hub & spindle. Bend the ends of the pin around the hub to secure.



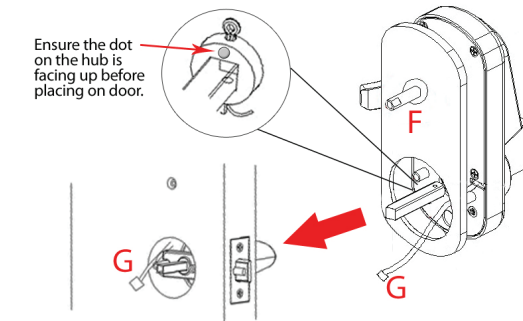
Step 3

Screw in and tighten both fastener extensions (D). Attach and tighten optional upper fastener post (E) if needed. Upper post is recommended but not required.



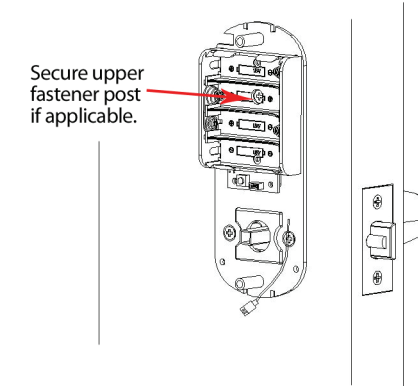
Step 4

Place the front of the lock onto the door with the rubber gasket (F) between the door and the lock housing. Feed the power cable (G) through the door hole.



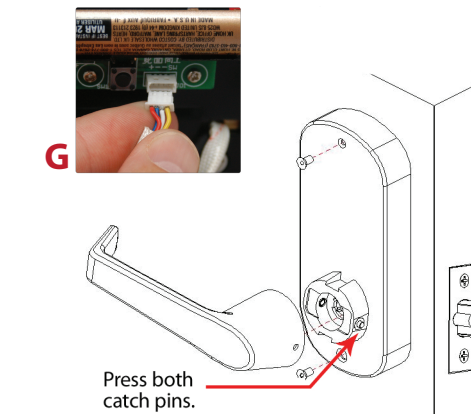
Step 5

Attach the battery plate on the inside door with the rubber gasket between the door and battery plate. Feed the power plug through the small rectangular hole on the plate. Secure the battery plate to front lock fastener posts with 2 screws.



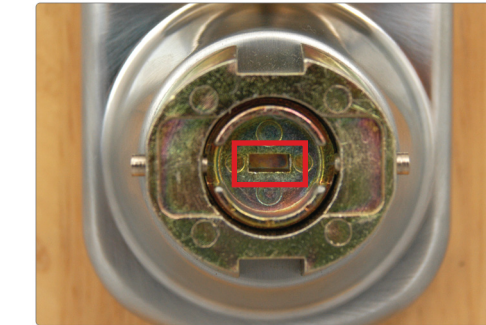
Step 6

Install 4 AA batteries and plug in the power cable (G). Secure the back lock housing onto the battery plate with the upper and lower screws. Press both catch pins in and snap the rear handle onto drive shaft.



Front Handle & Key Installation

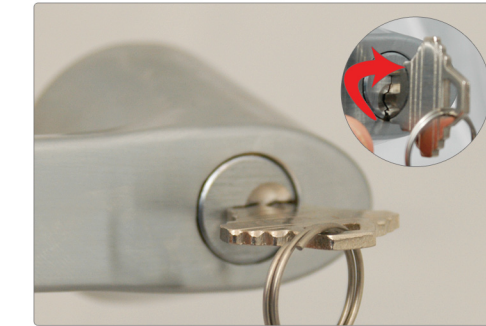
1. Ensure that the key override slot is in the horizontal position.



2. Slide the key cylinder into the back of the handle.



3. Insert the key into the key cylinder from the front of the handle and turn 90 clockwise.



4. Slide the handle onto the brass drive shaft until it hits the catch pins.



5. Press in both catch pins and snap the rear handle over pins.



6. Turn key back to the left and remove the key from the key cylinder.



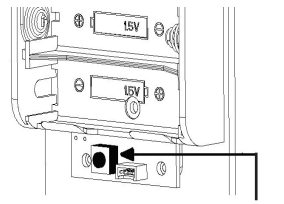
Installation & User Manual

For use with ResortLock® RL2000 and LockState® LS-1250

Lock Operation Guide

General Information:

- Door Handle:** The handle is reversible so it will fit both right and left-handed doors. The handle will always turn even when the door is locked. However, when locked, the handle will not retract the latch. The interior handle will always retract the latch.
- Exit Programming Mode:** Enter * to exit programming mode, or wait for 10 seconds.
- Low battery warning:** When batteries are low, the red LED will flash and beep five times after entering a valid User Code.
- Unlocking indicator:** Green light will flash and beep twice.
- Locking indicator:** No light and will beep twice.
- Reset:** To reset the lock back to factory default settings, press and hold the reset button for 10 seconds until the light on the front of the lock starts flashing green. Release the reset button and press the # key to confirm. You will receive 3 beeps if successful.



Reset Button

Manufacture Default Setting:

- Daylight Saving Mode:** Disabled
- Auto Lock/Unlock:** Disabled
- Default Programming Master Code:** 123456
- Lock Mode:** Storehouse
- Test Code:** 0 #

Unlocking the Door:

There are several ways to unlock the lock, including the following methods:

- Keycode:** Enter a User Code, then press #
- iButton:** Touch the iButton key to the lock reader
- iButton+Keycode:** Touch the iButton key to the lock reader, then enter User Code and press #
- One time service code:** One time code, then press #
- Manual key:** Insert and turn the override key 90 degrees clockwise, then turn the handle

Terms:

Master Code (MC): The master code enters the lock into programming mode. It will not lock or unlock the lock the door. If more than 6 seconds pass in between programming entries, the lock will return to normal operational status. For maximum security [change the default Master Code](#).

User code: User Codes are the normal codes for day-to-day operation.

Service Code: Service codes can be used for maintenance personnel or vendors. Service codes only grant one-time access. A total of 10 sets of service codes can be programmed into each lock.

Passage Mode: When Passage Mode is enabled, the lock will stay in an unlocked status after a valid entry code is entered. Enter a valid entry code to re-lock the door.

Storehouse Mode: For each valid entry, the lock will automatically re-lock after 5 seconds.

Time Format: 24 hr. clock ~ 8:30AM = 0830; 5:30PM = 1730 **Schedule Date:** 1=Mon, 2= Tue, 7=Sun

Quick Start Guide

Step 1: Program a new Master Code into the lock.

The Master Code DOES NOT unlock or lock the door. It is only used to program your lock. The default Master Code is 123456. For security purposes, you will need to change this to your own Master Code. Decide on a new Master Code and write it here: _____

To program a new Master Code, enter the following into the lock's keypad:
123456 # 11 # Your Master Code # Your Master Code Again

If done **correctly**, after the last # you press you'll hear 2 beeps with 2 green flashes.

Step 2: Program the Date & Time.

Some functions on the lock will not work on the lock unless the date & time are programmed. To program the date & time, enter the following:

Master Code # 88 # YYMMDDHHMM

Example: If the date and time is 05/30/2010 at 3:32PM, you would enter:
 # Master Code # 88 # 1005301532 #

Step 3: Program a User Code into the lock.

****Important: Your lock will not lock until a valid User Code is programmed and used on the lock.**

User Codes are the codes you will use to unlock and lock your door. These codes will remain active in the lock until they are deleted (if desired). Up to 800 permanent codes can be programmed into the lock. Here is how:

Master Code # 01 # 1-9 digit user code # # #

If done **correctly**, you will hear two beeps after pressing the 3rd #, then a red light after the 4th #.

Step 4: Set the Passage Mode. (Optional)

Your lock is shipped in Storehouse Mode. This means the lock will re-lock 5 seconds after it is unlocked. To change this to passage mode, enter the following:

Master Code # 15 # 1-7 Schedule # hhmm start, hhmm end

Example: If you want the lock to always be in Passage Mode, enter:
 # Master Code # 15 # 1234567 # 0001 2359 # (7 days of the week from 12:01AM to 11:59PM)

Step 5: Enable Daylight Saving Time.

If you live in an area that observes Daylight Saving Time, you will want to enable this function. Enabling does not change the current time on the lock. The time will change according to the U.S. Daylight Saving Time schedule. To enable, enter:

Master Code # 31

Complete List of Manual Programming Functions

1. To set a new or change the Master Code (and not delete existing user codes):

current or default mc # **11** # **1-9 digit new mc** # **1-9 digit new mc**

2. To change Master Code (and delete all user codes):

current or default mc # **22** # **1-9 digit new mc** # **1-9 digit new mc**

3. Set date & time - (24 hr. clock, Example: 2:45PM on July 12, 2010 = 1007121445)

mc # **88** # **yyymmddhhmm**

4. Enter one or more User Code with no restriction (for multiple codes, repeat highlighted)

mc # **01** # **1-9 digit user code** # # #

5. Enter one or more iButton key with no restriction (for multiple codes, repeat highlighted)

mc # **01** # **Hold iButton key to lock reader** # #

6. Enter one or more iButton key + User Code with no restriction (for multiple codes, repeat highlighted)

mc # **01** # **1-9 digit user code** # **Hold iButton key to lock reader** # #

7. Enter one or more User Code with time restriction (for multiple codes repeat highlighted)

mc # **01** # **1-9 digit user code** # **yyymmddhhmm** # **yyymmddhhmm** # # #
(beginning time) (ending time)

8. Enter one or more iButton key with time restriction (for multiple codes, repeat highlighted)

mc # **01** # **iButton key** # **yyymmddhhmm** # **yyymmddhhmm** # # #
(beginning time) (ending time)

9. Enter one or multiple iButton + User Codes with time restriction (for multiple, repeat highlighted)

mc # **01** # **1-9 digit code** # **iButton key** # **yyymmddhhmm** # **yyymmddhhmm** # # #
(beginning time) (ending time)

10. Enable Passage Mode

mc # **15** # **1-7 Schedule** # **hhmm start** # **hhmm end** # #
(1=Monday, 7=Sunday)

11. Disable Passage Mode

mc # **16**

12. Enable/ disable LED blink (2 beeps = blink off ~ 4 beeps = blink on)

mc # **18** # *Warning: enabling blink mode will drain batteries more quickly. Lock will blink red when locked, green when unlocked.

13. Enable Daylight Saving Time

mc # **31**

* Lock time does not change when you enable this function. The time will change according to the U.S. Daylight Saving Time schedule.

14. Disable Daylight Saving Time

mc # **32**

15. Add One Time Service codes (up to 10) (for multiple users, repeat highlighted)

mc # **33** # **1-9 digit user code**

16. Delete one User Code or iButton user (for multiple users, repeat highlighted)

mc # **46** # **User code or touch iButton**

17. Enable Auto-UNlock function

mc # **64**

18. Disable Auto-UNlock function

mc # **65**

19. Set Automatic Unlock time (Enable function #17 first)

mc # **63** # **hhmm**

20. Enable Auto-Lock function

mc # **67**

21. Disable Auto-Lock function

mc # **68**

22. Set Automatic Lock time (Enable function #20 first)

mc # **66** # **hhmm**

23. Enable/Disable temporary lockout of all users

mc # **99**

Advanced Schedule Access (for multiple users, repeat highlighted)

24. Set schedule for User Code: (1=Monday, 7=Sunday)
 # **mc** # **45** # **1-9 digit User Code** # **1-7 Schedule** # **hhmm start** # **hhmm end** #

25. Set schedule for iButton user: (1=Monday, 7=Sunday)

mc # **45** # **iButton key** # **1-7 Schedule** # **hhmm start** # **hhmm end**

For Example: to set schedule from 8:00AM to 5:00PM, Mon. to Friday

mc # **45** # **1-9 digit User Code** # **12345** # **0800** # **1700**

*A User Code or iButton must be programmed before Advanced Schedule Access can be applied.